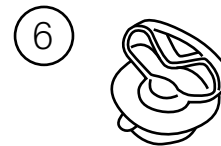
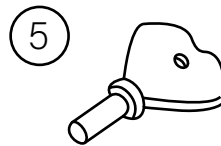
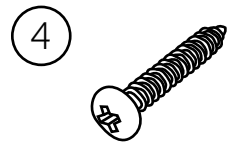
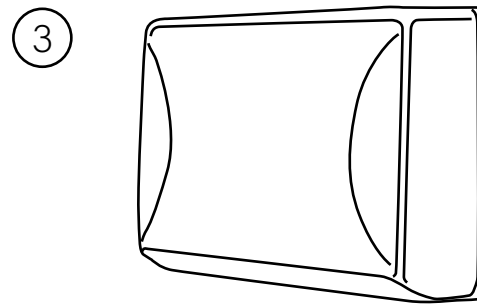
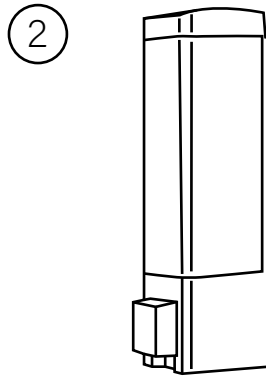
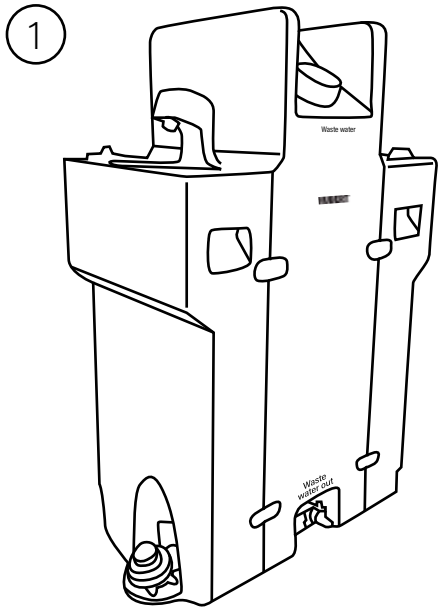


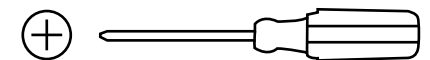
COMPONENTS



- 1. Double Sink Unit
- 2. Soap Dispenser x 2
- 3. Paper Towel Dispenser x 2
- 4. Screw x 8
- 5. Soap Dispenser Key
- 6. Paper Towel Dispenser Key and Lock

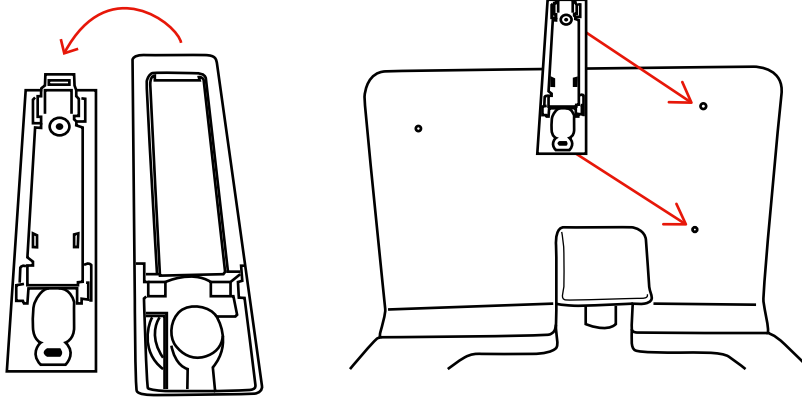
Tools Needed (Not Included):

Phillips Head Screwdriver

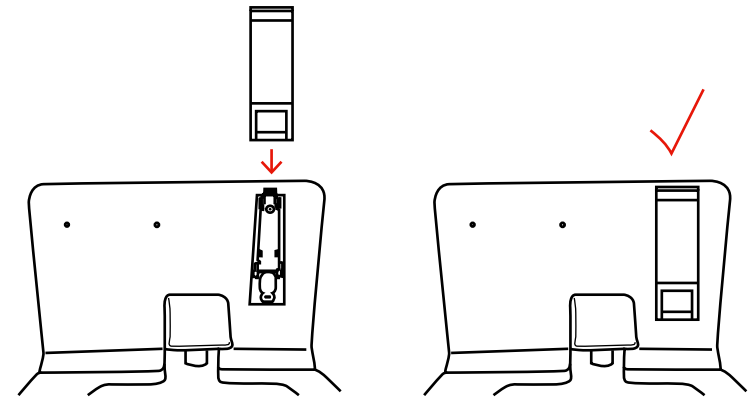


ASSEMBLY INSTRUCTIONS

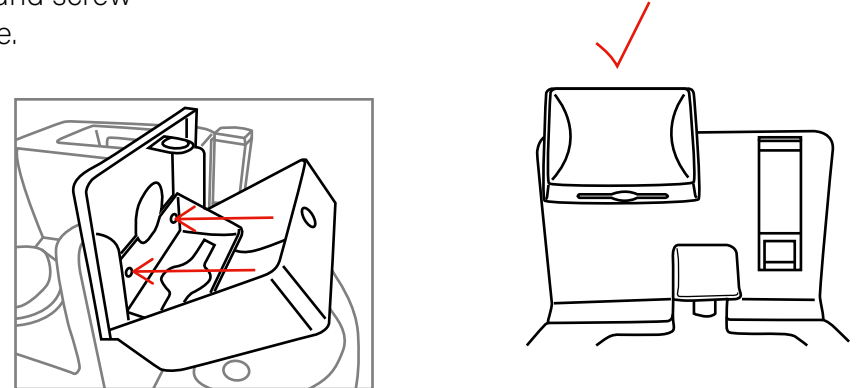
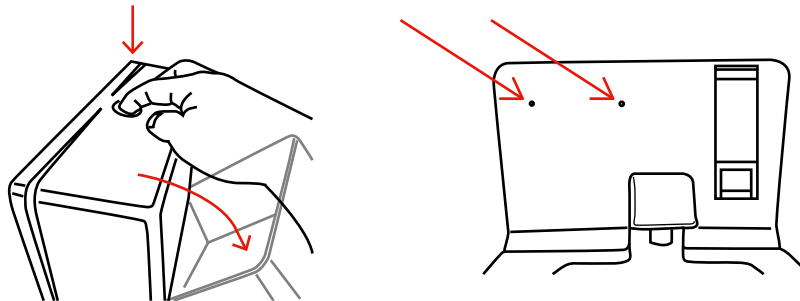
- ① To install soap dispenser, slide plate off of back of dispenser, and screw to unit where indicated with 2 screws.



- ② Slide soap dispenser back onto installed plate from top, and repeat on other side.

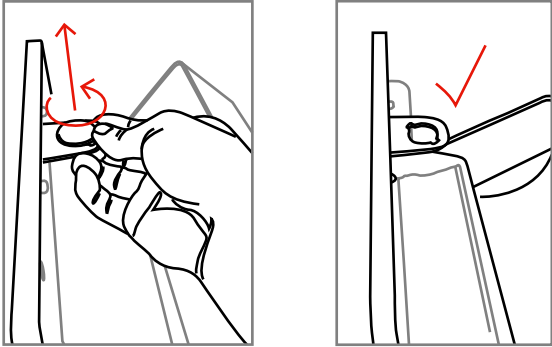


- ③ To install paper towel holder, open lid by pushing the top white button, and screw to unit where indicated with 2 screws. Close lid and repeat on other side.

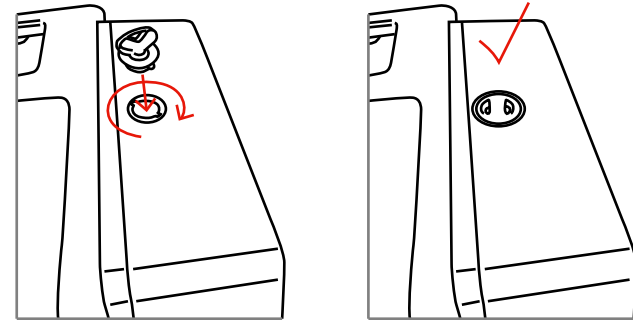


ASSEMBLY INSTRUCTIONS (PAPER TOWEL DISPENSER LOCK)

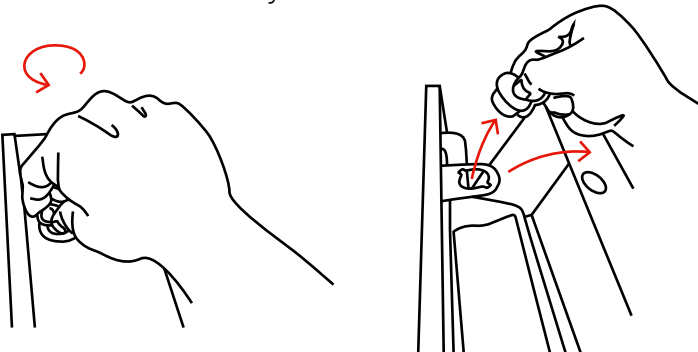
- ① If desired, the push button used to open the paper towel dispenser lid can be replaced with a lock (included). Rotate button counter-clockwise and push up from bottom to remove.



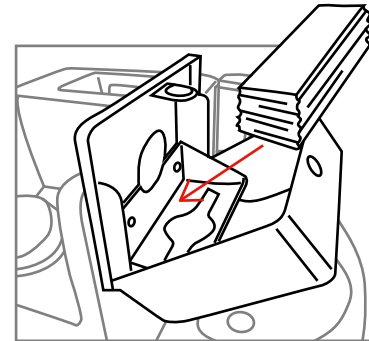
- ② Close lid and insert lock into hole, lining up tabs on bottom of lock with slots in hole. Rotate clockwise and pull out key, leaving lock in place.



- ③ To unlock dispenser, insert key and turn counterclockwise, then remove lock entirely.

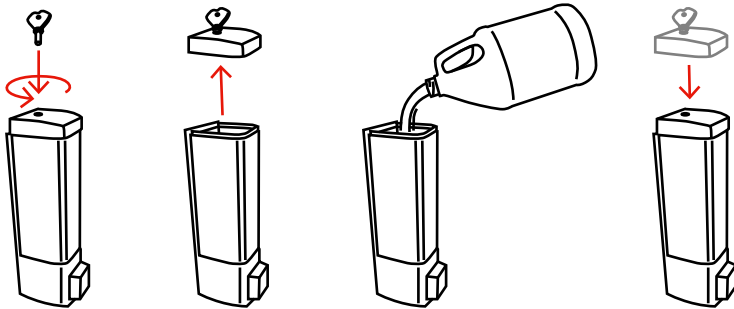


- ④ Fill paper towel holder with c-fold or multi-fold paper towels, and close lid using either push button closure or lock.

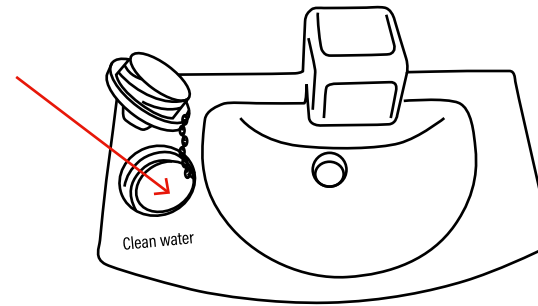


FILL & EMPTY INSTRUCTIONS

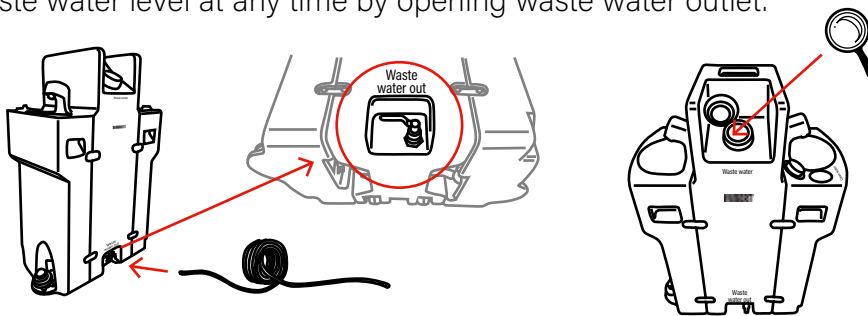
- ① Fill the soap dispenser by first unlocking the lid using Soap Dispenser Key (included). Remove lid, fill with desired hand soap, and replace lid. Lock lid if desired.



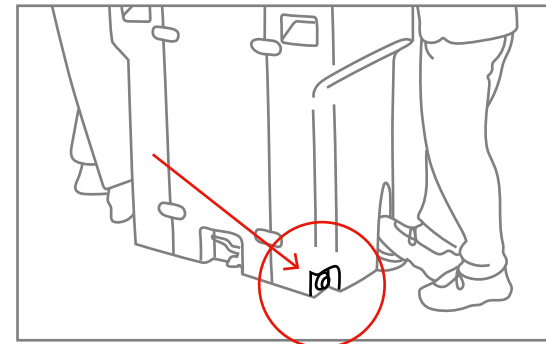
- ② Fill each clean water tank through ports to left of sinks labeled "Clean water." Replace cap before use.



- ③ Drain waste water tank using valve labeled "waste water out." A hose can be attached, if desired. Waste water tank can also be emptied through waste water outlet using waste water pump. Check waste water level at any time by opening waste water outlet.



- ④ Empty clean water tanks using drains found to left of foot pedals.



FEATURES

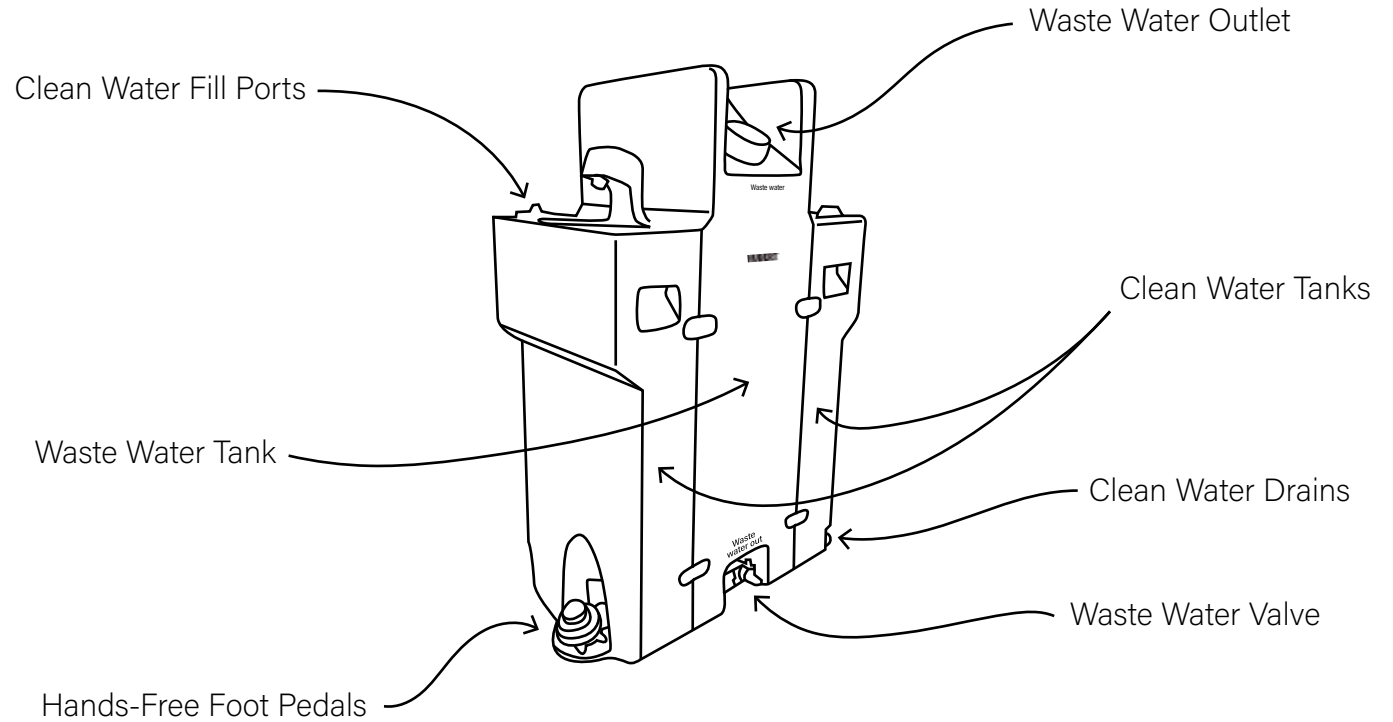
Double-sided for higher traffic, increased hygiene.



Wheels and integrated handle allow for easy transport.



DOUBLE SINK UNIT



WASTE WATER VALVE SPECS (MM)

