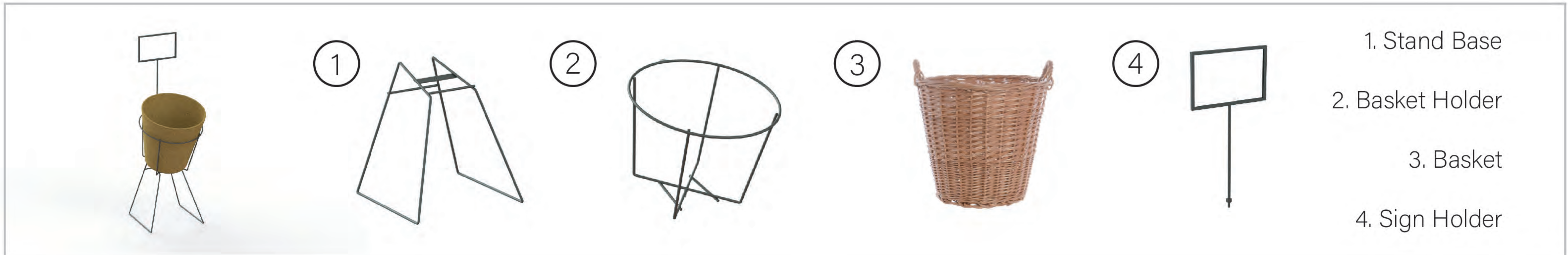


COMPONENTS



① Remove thumb screw that comes pre-assembled to basket holder. Insert bolt through hole in base and tighten with thumb screw.

② Screw sign holder into basket holder, as shown, and place basket in basket holder.

