

190mm

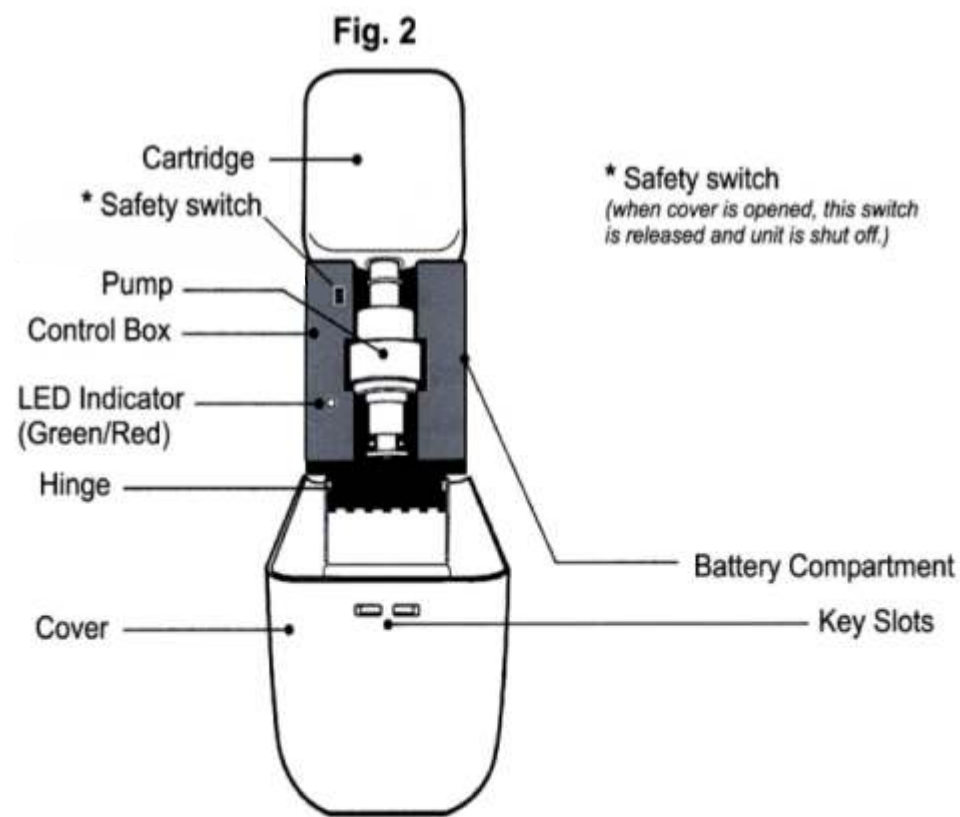
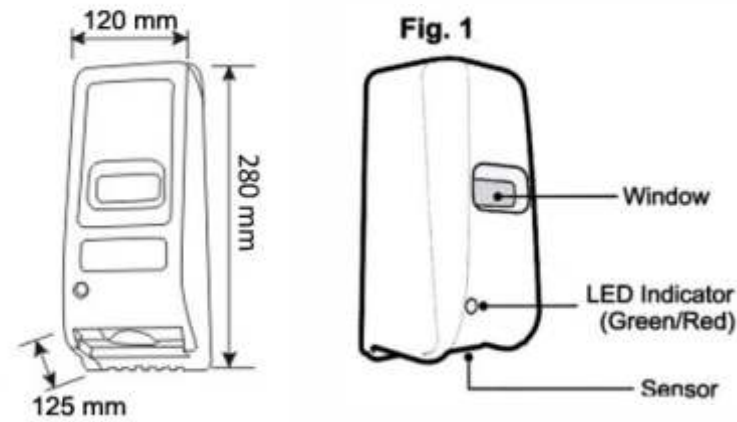
INSTALLATION and SET-UP

Parts

- Dispenser (1)
- Key (1)
- Screw and Anchors (3)
- Double Sided Tape (3)
- Instruction Sheet (1)

LED Indicator:

- Blinking Green-Dispensing
- Blinking Green and Red-Out of Battery



Step 1.

Installation of Dispenser

To open the dispenser, use the provided key to press down at the top of the front cover where the key slots are located. Hold the dispenser cover from the top and gently pull the cover down and toward you. The cover is hinged at the bottom of the dispenser.

Installation using adhesive tape (Fig.3)

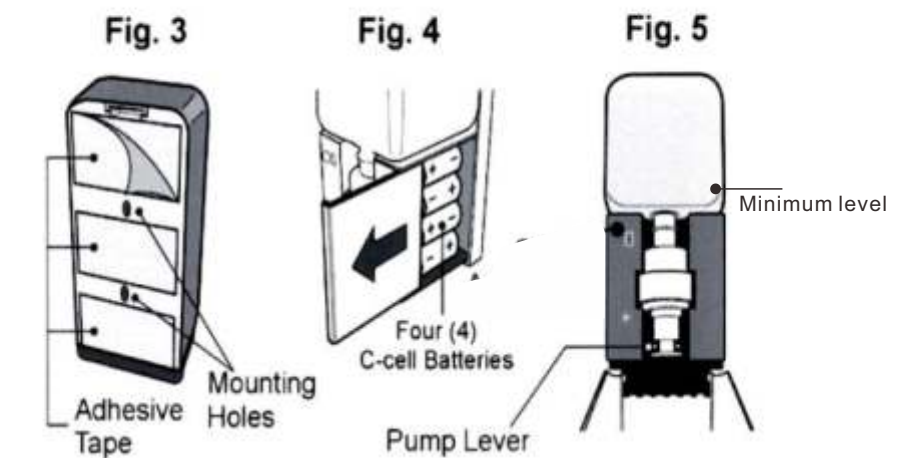
- 1) Make sure the mounting surface is flat, clean and dry. (Adhesive mounting is only recommended for mirrors or similar surface.

Dispenser must be mounted at least 200mm above surface.

- 2) Remove protective backing from adhesive tape and press dispenser firmly against the mounting surface for about 15 seconds. Open front cover and press directly for an additional 15 seconds. Allow 4 hours to set before using the dispenser.

Installation using screws and anchors:

- 1) Hold the dispenser against the wall in the desired location, open cover and mark screw hole locations on the wall.
- 2) Install provided anchors into drywall and secure the dispenser with the provided screws.



Step 2.

Installing batteries (Fig.4)

Open the dispenser, locate the battery compartment on the right side of the dispenser and slide the compartment cover forward, away from the wall. Place four (4) C-cell alkaline batteries in the proper orientation and replace the compartment cover.

Installing the cartridge (Fig.5)

- 1) Place the cartridge on top of the control box within the pump facing front and downward.
- 2) The pump should easily fit into the groove on the control box. Make sure that the pump "lever" is toward the bottom of the pump, just above the tip of the pump nozzle.
- 3) Close the dispenser cover, then the power switched on. Now the circuit is checking up for 3 seconds, then the dispenser is ready to be used.
- 4) Place hand(s) underneath the dispenser. Within 8cm of the sensor. The LED will blink GREEN and dispense 0.8ml of product into your hand(s). For the first time of use, suggest to having 10 ~ 15 times testing until the dispensed volume reached as expected.
- 5) Once the liquid reached the minimum level shown on the cartridge, suggest to refill to full.

To RESET: Open and Closed Cover

280mm