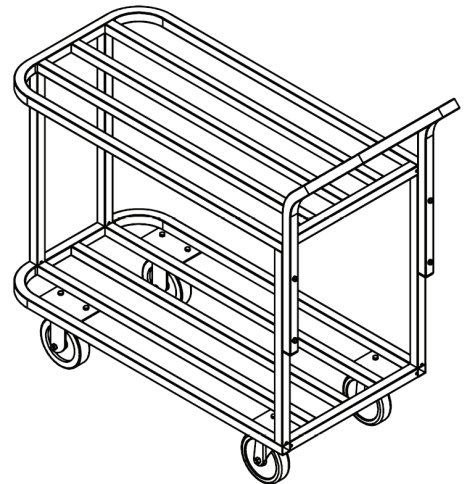
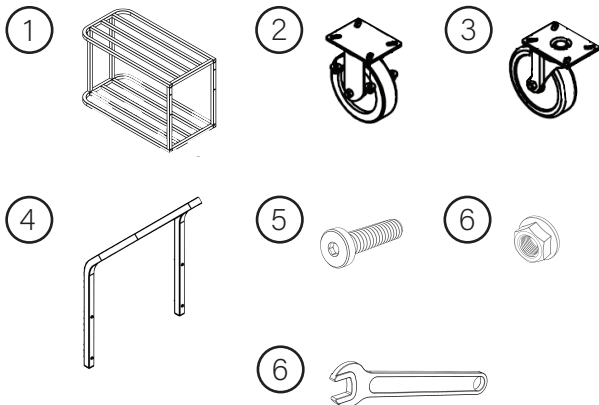


ASSEMBLY INSTRUCTIONS

COMPONENTS



Be sure to identify and confirm you have received all parts before assembly.

1 Secure Casters(2,3) as shown below to plates on bottom of Frame(1) with 4 Bolts(5) and 4 Nuts(6) each.

2 Align Handle(4) as shown, and secure with 4 Bolts(5) and 4 Nuts(6).

