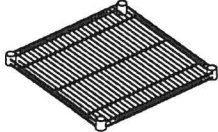





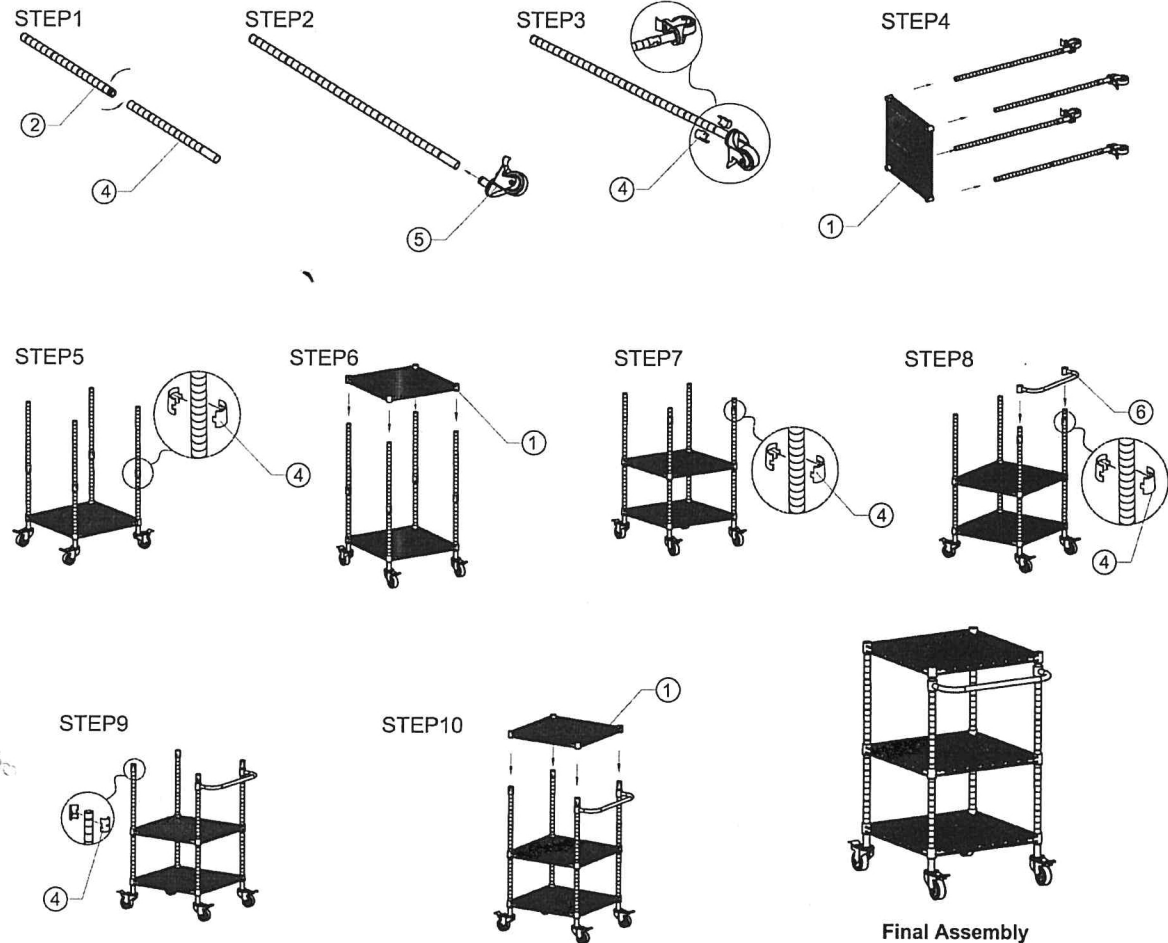


ITEM # 97214 | Hubert Wire Cart

Parts List	
(1) 4pcs Wire shelf 	(2) 4pcs Upper Post 
(3) 4pcs Lower Post 	(4) 28pcs Plastic Clips 
(5) 4pcs Caster 	(6) 4pcs Push Handle 



Helpful Hints when assembling the cart:

- Make sure the arrows on the black clips are pointing up
- After closing clips together, adjust up or down until they lock into place. This will prevent the clips from moving while installing shelves
- Use a rubber mallet to lock shelves in place, or to remove shelves to adjust up or down