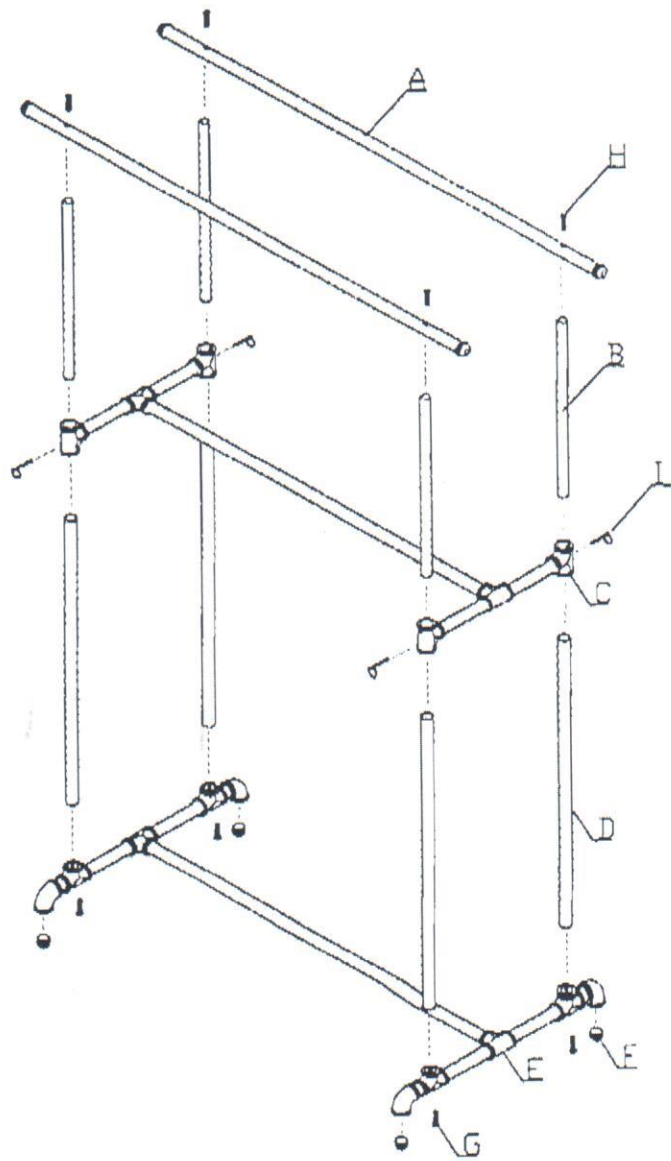
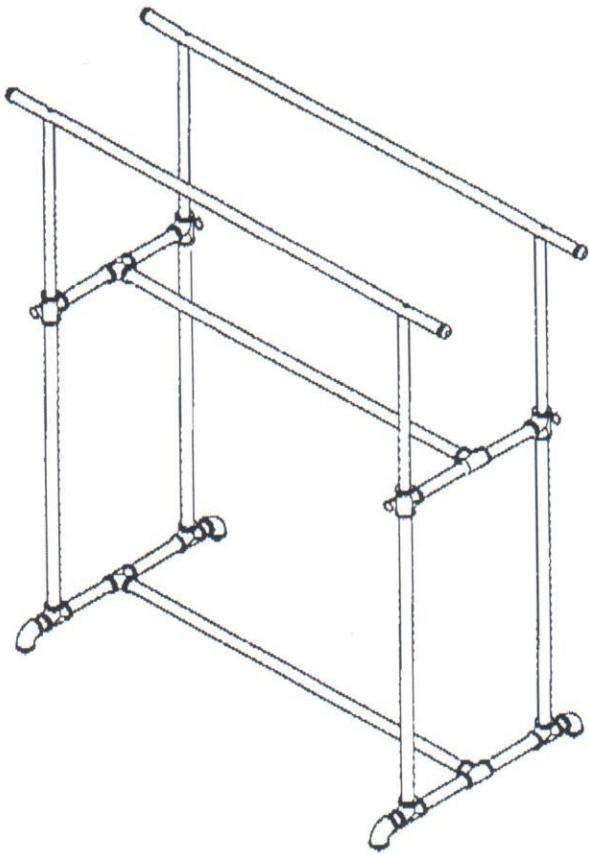


ASSEMBLY INSTRUCTIONS



PARTS LIST		
PART	DESCRIPTION	QTY
A	TUBE	2
B	TUBE	4
C	FRAME	1
D	TUBE	4
E	BASE	1
F	LEVELERS	4
G	SCREWS 1/2"-12UNC	4
H	SCREWS 3/8"-16UNC	4