

ASSEMBLY INSTRUCTIONS FOR ELEGANTE CART – NO DRAWER

PARTS:

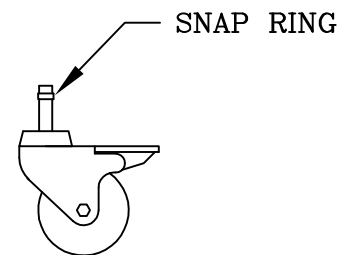
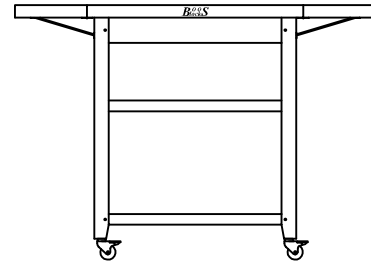
- 1- CART TOP (2) LEAVES
- 2- STAINLESS SHELVES
- 4- LEGS

HARDWARE:

- 24- 1/4 WASHERS
- 24- 1/4 NUTS
- 8- 1/4-20X1-1/4 CARRIAGE HEAD BOLT
- 16- 1/4-20X1/2 PHILLIPS TRUSS HEAD BOLT
- 4- LEAF SUPPORTS
- 28- #10X3/4 PHILLIPS HEAD WOOD SCREWS
- 4- CASTERS

TOOLS REQUIRED:

- 1- 7/16 WRENCH OR SOCKET/RATCHET
- 1- PHILLIPS HEAD SCREWDRIVER



CAUTION: MAKE CERTAIN ASSISTANCE IS AVAILABLE WHEN SETTING BLOCK UPRIGHT TO AVOID INJURY TO YOURSELF OR THE BLOCK.

SUGGESTION: APPLYING BAR SOAP, PASTE WAX, OR VASELINE TO THE WOOD SCREW THREAD WILL MAKE THEM MUCH EASIER TO INSERT.

INSTRUCTIONS:

- 1) REMOVE ALL CONTENTS OF BOX MAKING SURE ASSEMBLY AREA IS FLAT AND CLEAN.
- 2) SEPARATE ALL HARDWARE BY SIZE.
- 3) PLACE CART TOP FACE DOWN ON A RUG, CARTON OR OTHER PROTECTIVE SURFACE.
- 4) ATTACH CORRESPONDING LEAVES TO CART USING #10X3/4 SCREWS.(HOLES ARE PRE-DRILLED)
- 5) ATTACH LEAF SUPPORT BY FASTENING THE SUPPORT TO THE LEAF AND THE CART, MAKING SURE THE LARGER END OF THE SUPPORT (3 HOLE) IS ATTACHED TO THE LEAF AND THE SMALLER END (2 HOLE) TO THE APRON. USE THE REMAINING #10X3/4 SCREWS. (HOLES ARE PRE-DRILLED)
- 6) ATTACH EACH OF THE FOUR LEGS TO THE OUTSIDE OF THE APRON CORNERS USING TWO 1/4X1-1/4 HEAD BOLTS W/ NUTS & WASHERS. DO NOT FULLY TIGHTEN AT THIS TIME.
- 7) ATTACH EACH SHELF TO THE LEGS USING TWO 1/4X1/2 PHILLIPS HEAD BOLTS W/ NUTS & WASHERS AT EACH SHELF CORNER PER LEG. DO NOT FULLY TIGHTEN BOLTS AT THIS TIME.
- 8) GO BACK AND FULLY TIGHTEN BOLTS IN STEP 6 AND 7.
- 9) SECURE CASTERS INTO BOTTOM OF LEGS BY PUSHING INTO CASTER SOCKET. CASTER MAY NEED TO BE WIGGLED WHILE INSERTING STEM UNTIL THE SNAP-RING ENTERS THE SOCKET.
- 10) SECURE LEAVES, THEN TURN CART UPRIGHT WITH ASSISTANCE.
- 11) IF LEAVES NEED TO BE ADJUSTED THEN SEE SEPARATE INSTRUCTIONS ON LEVELING THE LEAF.

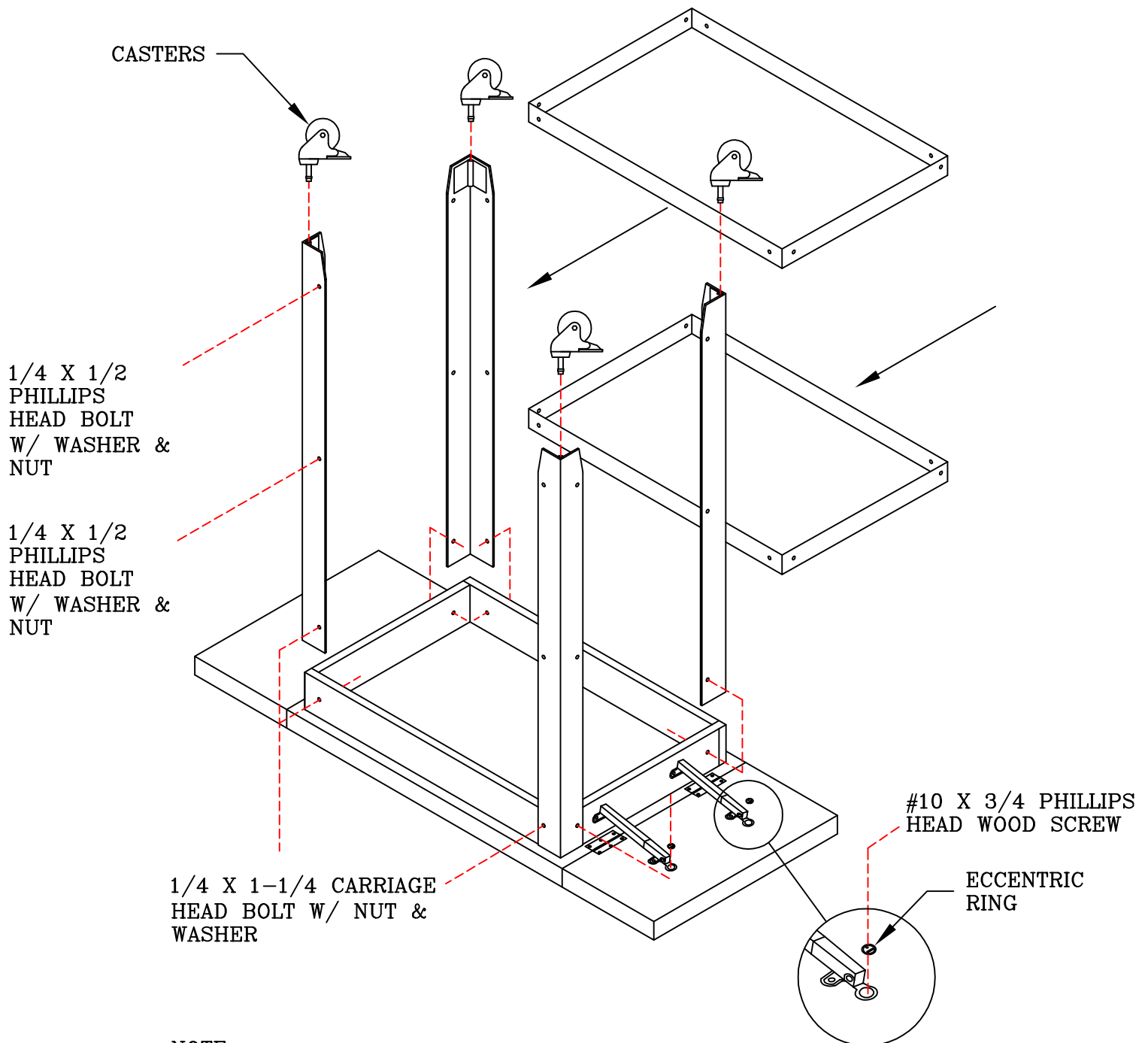
BE SURE TO FOLLOW MAINTENANCE AND CARE GUIDELINES.



**John
BOOS**
Since 1887

John Boos & Co.
P.O. Box 609
3601 S. Banker St.
Effingham, IL 62401
PH:888-431-2667 / Fax:800-433-2667
Email: sales@johnboos.com
Web Site: www.johnboos.com

ELEGANTE CART NO DRAWER



NOTE:
SHOWN WITHOUT DRAWER FOR CLARITY.