



ITEM #: _____ QTY: _____
 MODEL #: _____
 PROJECT NAME: _____

3601 S. Banker St. Effingham, IL 62401 • P.O. BOX 609 • Ph: (888) 431-2667 • Fax: (800) 433-2667

"ST4-SSK" STAINLESS STEEL TOP WORK TABLES  
14GA TOP AND STAINLESS STEEL LEGS AND ADJUSTABLE UNDERSHELF

FEATURES:

- 14 GAUGE STAINLESS STEEL TOP
- TYPE 300 STAINLESS STEEL WITH # 4 POLISH, SATIN FINISH
- TOP IS SOUND DEADENED
- REINFORCED WITH 1"X2" CHANNEL RUNNING ENTIRE LENGTH OF TABLE
- 1-1/2" STALLION EDGE ON FRONT AND REAR WITH SIDE EDGES
- 90 DEGREE BEND DOWN FOR TABLE LINE-UP
- STAINLESS BASE WITH ADJUSTABLE UNDERSHELF
- ADJUSTABLE BULLET FEET
- SHIPPED KNOCKED-DOWN, EASY-TO-ASSEMBLE
- NSF AND CSA CERTIFIED



ST4-3048SSK

CONSTRUCTION:

- TOP: STAINLESS STEEL TOPS ARE TIG WELDED, EXPOSED WELDS ARE POLISHED TO MATCH ADJACENT SURFACE.

MATERIAL:

- TOP: 14 GAUGE STAINLESS STEEL TYPE 300 STAINLESS STEEL WITH # 4 POLISH, SATIN FINISH
- SHELF: 18 GAUGE STAINLESS STEEL (36" WIDE TABLES, 16 GAUGE LOWER SHELF)
- LEGS: 1-5/8" ROUND O.D., 16 GAUGE TUBULAR STAINLESS STEEL
- GUSSETS: STAINLESS STEEL
- FEET: 1" ADJUSTABLE STAINLESS STEEL BULLET FEET



ADJUSTABLE LOWER SHELF

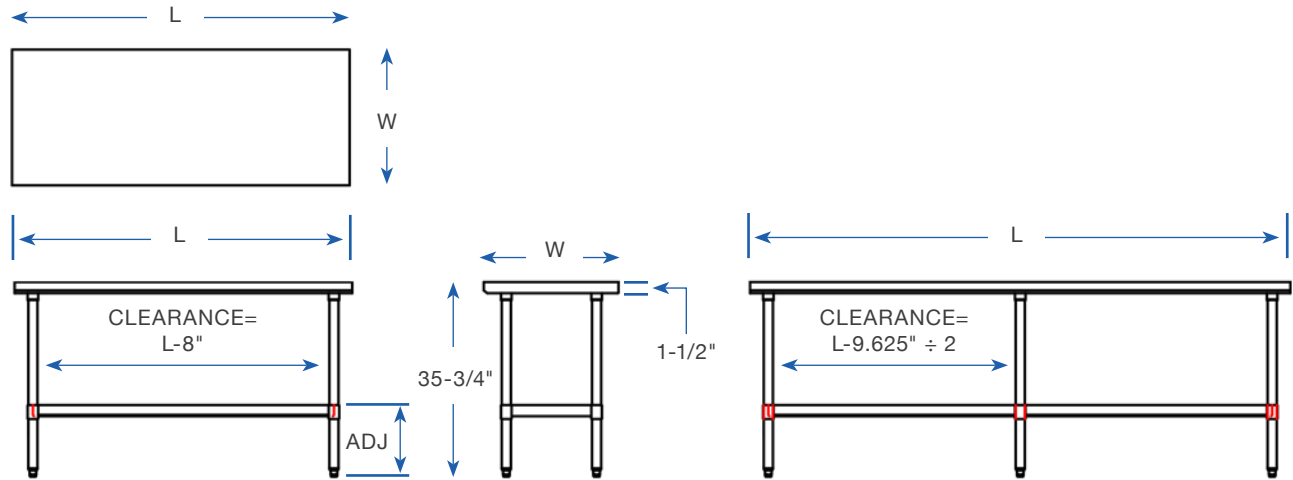
14 GAUGE TOP W/ ADJUSTABLE BRACING

24" WIDE	QTY	30" WIDE	QTY	36" WIDE	QTY
ST4-2436SSK		ST4-3036SSK		ST4-3636SSK	
ST4-2448SSK		ST4-3048SSK		ST6-3648SSK	
ST4-2460SSK		ST4-3060SSK		ST4-3660SSK	
ST4-2472SSK		ST4-3072SSK		ST4-3672SSK	
ST4-2484SSK		ST6-3084SSK		ST4-3684SSK	
ST4-2496SSK		ST4-3096SSK		ST4-3696SSK	
ST4-24108SSK		ST4-30108SSK		ST4-36108SSK	
ST4-24120SSK		ST4-30120SSK		ST4-36120SSK	

OPTIONAL ACCESSORIES

DESCRIPTION	MODEL #	QTY
DRAWER		
DRAWER LOCK		
CASTERS		
OVERSHELVES		
SINKS		
POT RACK		

DETAILED SPECIFICATIONS



- UNITS 7 FT. AND LARGER ARE FURNISHED WITH SIX LEGS.
- FINISHED SIZE OF UNDERSHELF.
 SHELF LENGTH = LENGTH MINUS 4.875"
 SHELF WIDTH = WIDTH MINUS 4.25

14 GAUGE TOP W/ ADJUSTABLE UNDERSHELF

LENGTH	24" WIDE	WT. (LBS)	30" WIDE	WT. (LBS)	36" WIDE	WT. (LBS)
36"	ST4-2436SSK	56	ST4-3036SSK	69	ST4-3636SSK	85
48"	ST4-2448SSK	70	ST4-3048SSK	91	ST6-3648SSK	91
60"	ST4-2460SSK	83	ST4-3060SSK	96	ST4-3660SSK	109
72"	ST4-2472SSK	96	ST4-3072SSK	115	ST4-3672SSK	139
84"	ST4-2484SSK	114	ST6-3084SSK	135	ST4-3684SSK	150
96"	ST4-2496SSK	131	ST4-3096SSK	151	ST4-3696SSK	172
108"	ST4-24108SSK	144	ST4-30108SSK	175	ST4-36108SSK	191
120"	ST4-24120SSK	157	ST4-30120SSK	183	ST4-36120SSK	209

MODEL # STRUCTURE

30 = WIDTH OF WORK SURFACE 120 = LENGTH OF WORK SURFACE
 4 = 14GA WORK SURFACE SS = STAINLESS LEGS & SHELF
 ST = STAINLESS STEEL TOP K = K.D. W/ ADJUSTABLE BRACING

ST4-30120SSK

SOME UNITS SHIP UNASSEMBLED FOR REDUCED SHIPPING COST. ALL DIMENSIONS ARE TYPICAL. TOLERANCE +/- .500"
 John Boos & Co. is constantly engaged in a program of improving products and therefore reserves the right to change specifications without prior notice.



3601 S. Banker St. • Effingham, IL 62401 • PO BOX 609 • quotes@johnboos.com



www.johnboos.com