



"TC-3" Stainless Steel Cutting Tables

w/ 3/4" High Density Polyethylene Flat Top
w/ Stainless Steel Base and Bracing



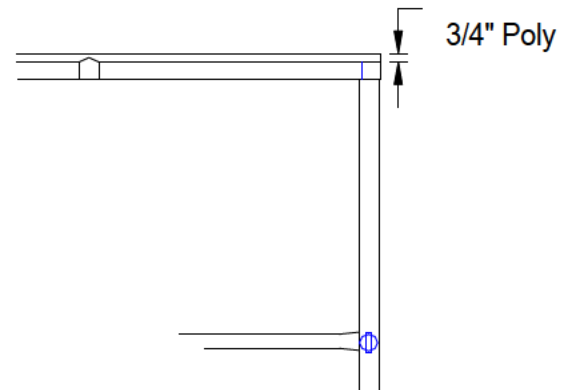
Shown with optional D04
Stainless Steel Drawer



3/4" POLY TOP w/ STAINLESS STEEL BASE and BRACING					
24"WIDE	Qty	30"WIDE	Qty	36"WIDE	Qty
TC043		TC050		TC057	
TC044		TC051		TC058	
TC045		TC052		TC059	
TC046		TC053		TC060	
TC047		TC054		TC061	
TC048		TC055		TC062	
TC049		TC056		TC063	

FEATURES:

- * 3/4" thick High Density Polyethylene Top, sectioned per NSF regulation also available with 1/2" Or 1" thick High Density Polyethylene and 1 1/2" thick Hard Rock Maple Top, top style "SCT" flat top
- * One piece High Density Polyethylene Top available at no extra charge must specify
- * Top is held in place by welded clips, removable for ease in cleaning
- * Stainless Steel Base, Bracing
Type 300 stainless steel with # 3 polish, satin finish
- * Adjustable bullet feet
- * Shipped Standard **Welded Set-Up**, available knocked-down must specify
- * Optional drawers, casters, pot racks, etc. available
- * All models are approved by the National Sanitation Foundation and the U.S. Department of Agriculture.



CONSTRUCTION:

- * Stainless Steel Bases are TIG welded
Exposed welds are polished to match adjacent surface

MATERIAL:

- Top: High Density Polyethylene
- Frame: 1 1/2" Square O.D. 18 gauge type 300 tubular stainless steel # 3 polish, satin finish
- Bracing: 1 1/4" Round O.D. 18 gauge type 300 tubular stainless steel # 3 polish, satin finish
- Legs: 1 5/8" Round O.D., 16 gauge type 300 tubular stainless steel # 3 polish, satin finish
- Feet: 1" adjustable galvanized bullet feet

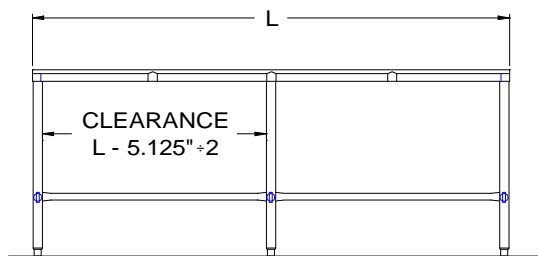
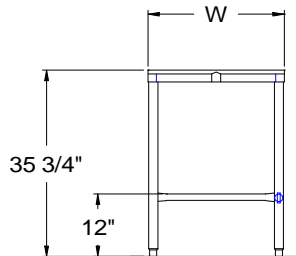
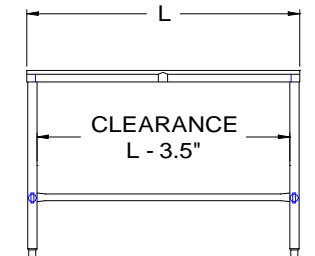
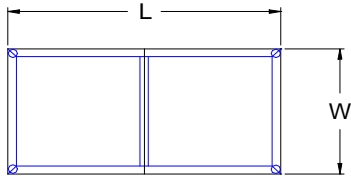
OPTIONAL ACCESSORIES

	MODEL #	Qty
DRAWER		
DRAWER LOCK		
CASTERS		
STAINLESS STEEL FEET		
LOWER SHELVES		
MEAT BOAT RACK		
PAPER HOLDER		
K.D. easy - to - assemble		

John Boos & Co

315 South First Street - Effingham, IL 62401
Phone: 217-347-7701 - Fax: 217-347-7705
Email: sales@johnboos.com - Web-site: www.johnboos.com

DETAILED SPECIFICATIONS



Shipped Standard Welded Set-Up

Units 7 ft. and larger are furnished with six legs.

All dimensions are typical.

Tolerance +/- .500".

3/4" HIGH DENSITY POLYETHYLENE TOP & BRACING

L	24" WIDE	WT.	30" WIDE	WT.	36" WIDE	WT.
36	TC043	48	TC050	55	TC057	62
48	TC044	58	TC051	69	TC058	78
60	TC045	68	TC052	85	TC059	91
72	TC046	81	TC053	98	TC060	111
84	TC047	94	TC054	119	TC061	135
96	TC048	104	TC055	126	TC062	149
120	TC049	129	TC056	150	TC063	170

John Boos & Co

315 South First - Effingham, IL 62401 Phone: 217-347-7701 - Fax: 217-347-7705

Email: sales@johnboos.com - Web-site: www.johnboos.com



May 2002

John Boos is constantly engaged in a program of improving products and therefore reserves the right to change specification without prior notice