

**Chest Freezer  
Solid Top Freezer, 17 cu.ft , 1  
Basket**

ITEM # \_\_\_\_\_

MODEL # \_\_\_\_\_

NAME # \_\_\_\_\_

SIS # \_\_\_\_\_

AIA # \_\_\_\_\_



738231 (KCCF170WH)

Kelvinator Commercial 17 ft.<sup>3</sup>  
Solid Top Freezer, 1 Basket

**Short Form Specification**

Item No. \_\_\_\_\_

Solid top chest freezer with foamed lid and soft closing mechanism to ensure gentle lid closure. Internal and external structure in white painted steel. NSF basket, vertical basket divider, NSF thermometer and lock included as standard. Defrost water drain with plug for easy cleaning.

R290 refrigerant gas for the lowest environmental impact (GWP=3).

The temperature range is -15° to 10°F.

ETL safety and sanitation listed for US and Canada.

Equipped with NEMA 5-15P plug.

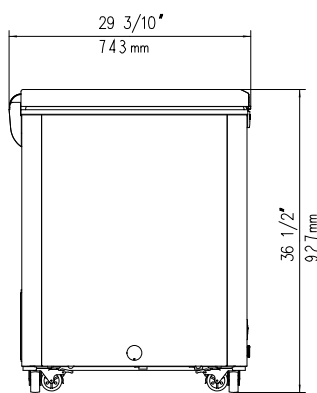
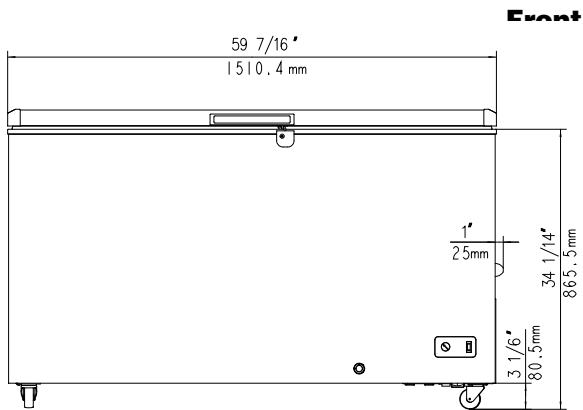
**Main Features**

- Temperature range of -15 to +10 F°
- Hydrocarbon refrigerant gas R290 for the lowest environmental impact (GWP=3) - CFC and HCFC free.
- Low energy consumption
- Mechanical control panel with adjustable temperature
- Included as standard 1 NSF® certified temperature gauge and 1 NSF® certified basket (including one vertical divider) durable and reliable for safety in food storage
- Removable rubber bumper guards
- Bottom drain with plug for easy interior cleaning and defrost water discharge

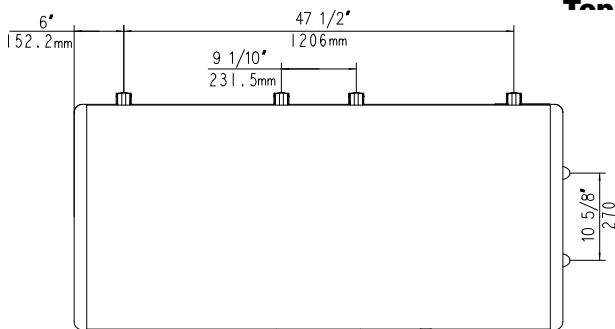
**Construction**

- Foamed lid for best insulation and product robustness
- Soft closing lid mechanism
- Static condenser
- Exterior and Interior finish in white painted steel
- Locking lid and key protect the contents of the unit
- Mounted on heavy-duty casters, two locking to keep unit in place but allows position adjusting.

APPROVAL: \_\_\_\_\_



EI = Electrical connection



## Electric

Supply voltage:	115 V/1 ph/60 Hz
738231 (KCCF170WH)	
Electrical power, max:	0.2 kW
Plug type:	USA NEMA 1-15P

## Capacity:

Gross capacity:	17.3 cu.feet
-----------------	--------------

## Key Information:

External dimensions, Width:	59 1/2" (1511.3 mm)
External dimensions, Depth:	29 5/16" (744.22 mm)
External dimensions, Height:	36 1/2" (927.1 mm)
Condenser type:	Static
Automatic Defrost Cooling System:	No
Compressor Horsepower:	1/5
Freezer baskets (Number/Type):	1 / Wire
Control	Mechanical
Warranty	1/5 Years
Net weight:	170 lbs (77 kg)
Shipping width:	30 1/2" (775 mm)
Shipping height:	41 1/32" (1042 mm)
Shipping weight:	110 lbs (50 kg)
Shipping volume:	45.14 ft <sup>3</sup> (1.28 m <sup>3</sup> )

## Refrigeration Data

Temperature display location:	Internal
Temperature range:	-15 to 10 °F
Refrigerant type:	R290