



ROYAL SERIES PLUMBING 4" CENTER WALL MOUNT FAUCETS

MODEL: _____ PROJECT: _____ ITEM #: _____ QTY: _____

PRODUCT IMAGE



14-400L SHOWN

**14-4XXL SERIES ONLY AVAILABLE IN
LOW LEAD COMPLIANT MODELS**

STANDARD FEATURES

- 1/4 turn high performance ceramic cartridge valve with built-in back flow preventers
- Heavy-Duty flanges with eccentric fittings for quick installation
- Heavy-Duty solid brass spout with double O-Ring construction and welded shoulder for durability
- High precision machining and polished nickel chromium finish
- Color-coded handles
- Optional wrist blade handles available
- Full replacement parts available
- Mounting kit included
- 1 Year Warranty
- **Low Lead Compliance**
All models meet California AB-1953 and Vermont S152 standards

SPECIFICATIONS

- 4" on center wall mount with 1/2" NPT male inlets
- Rough in: Two 7/8" round holes on 4" centers
- Temperature Range: 40°F to 180°F
- Flow rate: 2 GPM max
- Shipping weight: 5 lbs.
- Quantity per case: 12



APPROVED BY:

CERTIFICATIONS:

Due to our commitment to continued product improvement, specifications are subject to change without notice.

Printed in the USA

Krowne Metal Corporation

100 Haul Rd. Wayne, NJ 07470 • Toll Free: (800) 631-0442 • Fax: (973) 872-1129
sales@krowne.com • www.krowne.com • www.facebook.com/KrowneMetal • www.twitter.com/KrowneMetal

Rev. 05/2012
No. 14-4XXL



ROYAL SERIES PLUMBING

4" CENTER WALL MOUNT FAUCETS

MODEL: _____ PROJECT: _____ ITEM #: _____ QTY: _____

MODELS

STANDARD SPOUTS

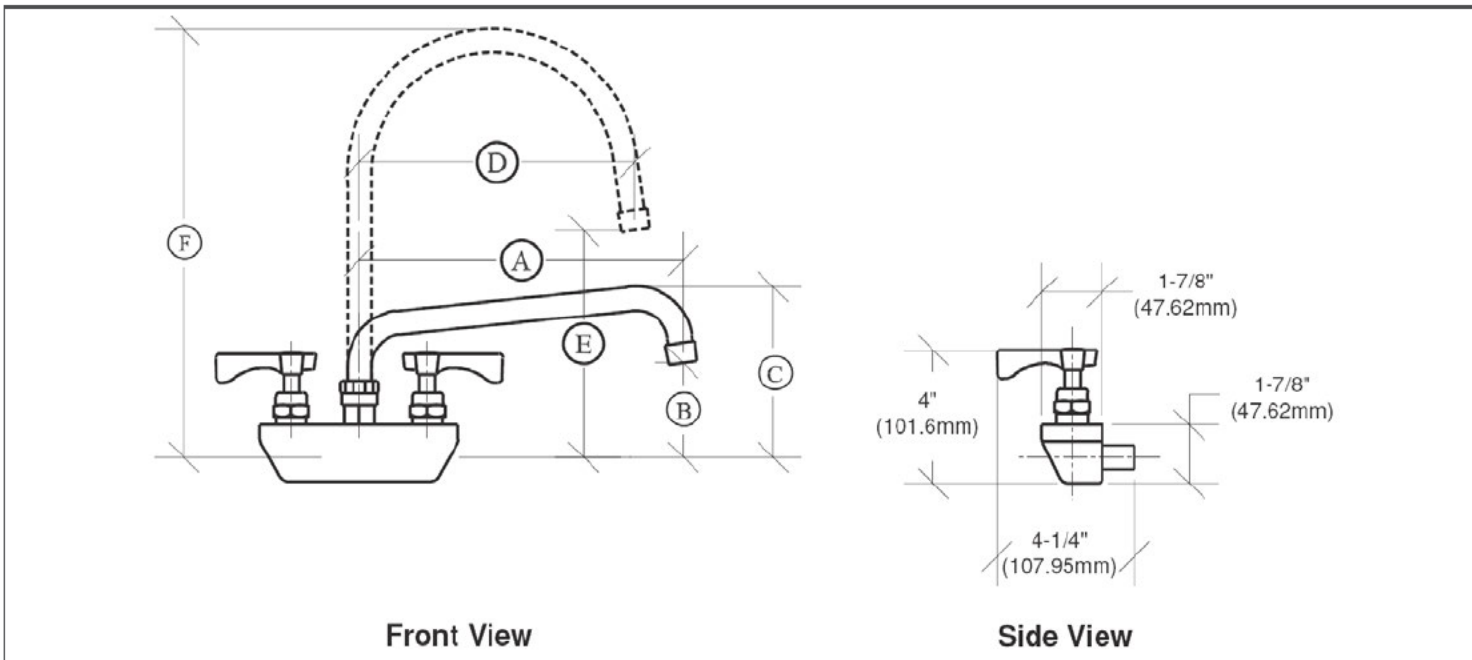
Model Numbers	Ⓐ	Ⓑ	Ⓒ
14-406L	6"	2 1/2"	5"
14-408L	8"	2 1/2"	5"
14-410L	10"	2 3/4"	5 1/4"
14-4XXL*	N/A	N/A	N/A

*Base Model - Does not come with spout

GOOSENECK SPOUTS

Model Numbers	Ⓓ	Ⓔ	Ⓕ
14-400L	3 1/2"	7"	9 5/8"
14-401L	6"	7"	11"
14-402L	8 1/2"	8 7/8"	14 1/4"

DRAWING



APPROVED BY:

Due to our commitment to continued product improvement, specifications are subject to change without notice.

CERTIFICATIONS:

Printed in the USA

Krowne Metal Corporation

100 Haul Rd. Wayne, NJ 07470 • Toll Free: (800) 631-0442 • Fax: (973) 872-1129

sales@krowne.com • www.krowne.com • www.facebook.com/KrowneMetal • www.twitter.com/KrowneMetal

Rev. 05/2012
No. 14-4XXL