

BCv 1103



 GERMAN
ENGINEERING

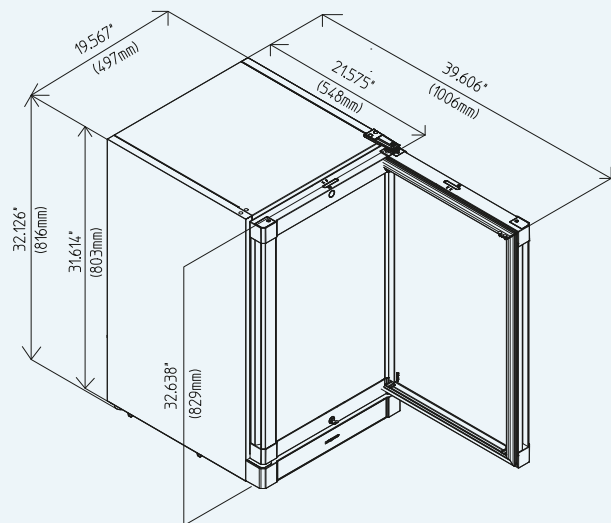
LIEBHERR

CounterTop Cooler



CounterTop Cooler	BCv 1103	LED
Total gross/net capacity cu.ft. (l)	3.9/3.2 (110/90)	
Exterior dimensions in inches (w/d/h) in mm (w/d/h)	19 5/8"/21 5/8"/32 11/16" 497/548/830	
Interior dimensions in inches (w/d/h) in mm (w/d/h)	16 7/16"/15 7/16"/25 11/16" 417/391/651	
Energy consumption in 365 days *	510 kWh	
Ambient temperature in °F (°C)	50°F to 90°F (10°C to 32°C)	
Refrigerant	R600a	
Sound rating **	49 dB(A)	
Connection rating	2.5 A / 140 W	
Frequency/voltage	60 Hz/115V~	
Cooling system	forced-air	
Defrost	manual	
Temperature range in °F (°C)	36°F to 54°F (2°C to 12°C)	
External cabinet finish	steel/silver	
Door/lid material	glass door	
Internal liner material	steel	
Type of control	analog control	
Temperature display	internal analogue	
Interior light	LED light column on right	
Adjustable shelves	2	
Shelf material	wire shelves plastic-coated	
Shelf load weight in lbs (kg)	66.1 (30)	
Usable shelf area in inches (mm)	16 7/16"/13 1/8" (417/332)	
Handle	recessed grip	
Lock	recessed	
Self-closing door	yes	
Door hinges	right, reversible on site	
Insulation in inches (mm)	1 5/8" (40)	
Gross/net weight in lbs (kg)	95.2/89.7 (43.2/40.7)	
Accessories		
Scannerrails	7444050	
Stacking kit left	9875033	
Stacking kit right	9875035	

Unit Dimensions



* Measured unloaded at 80°F (26.6°C) ambient temperature with set point of 38°F (3.3°C).
 ** Noise level – sound power re 1pW – according to IEC 60704-2-14.

Subject to modification. For up-to-date information, visit home.liebherr.com.