

- KDT-0500A
- KYT-0500A
- KDT-0500W
- KYT-0500W



K-0500 Ice Kube Machine



- Easy access to food zone with removal of two screws and lift-off door
- High-tech exterior with smudge and fingerprint resistant stainless-like finish
- White plastics in the food zone help identify areas needing cleaning
- Water shield, distribution tube, pump, floats, and trough removable by hand
- Available CleanAir™ pack controls the growth of bacteria and fungi that form slime and cause odors in the food zone

WARRANTY:

Ice Maker: 3 year Parts & Labor
 Evaporator: 5 year Parts & Labor
 Compressor: 5 year Parts 3 years Labor



HALF KUBE

$\frac{3}{8}'' \times 1\frac{1}{8}'' \times \frac{7}{8}''$
 (.95 x 2.86 x 2.22 cm)

❄️ = 100%
 ⚓



KUBE

$\frac{7}{8}'' \times \frac{7}{8}'' \times \frac{7}{8}''$
 (2.22 x 2.22 x 2.22 cm)

❄️ = 100%
 ⚓

R410A Refrigerant



K-0500
ICE KUBE MACHINE

Koolaire K-0500 Ice Kube Machine on a K570 bin



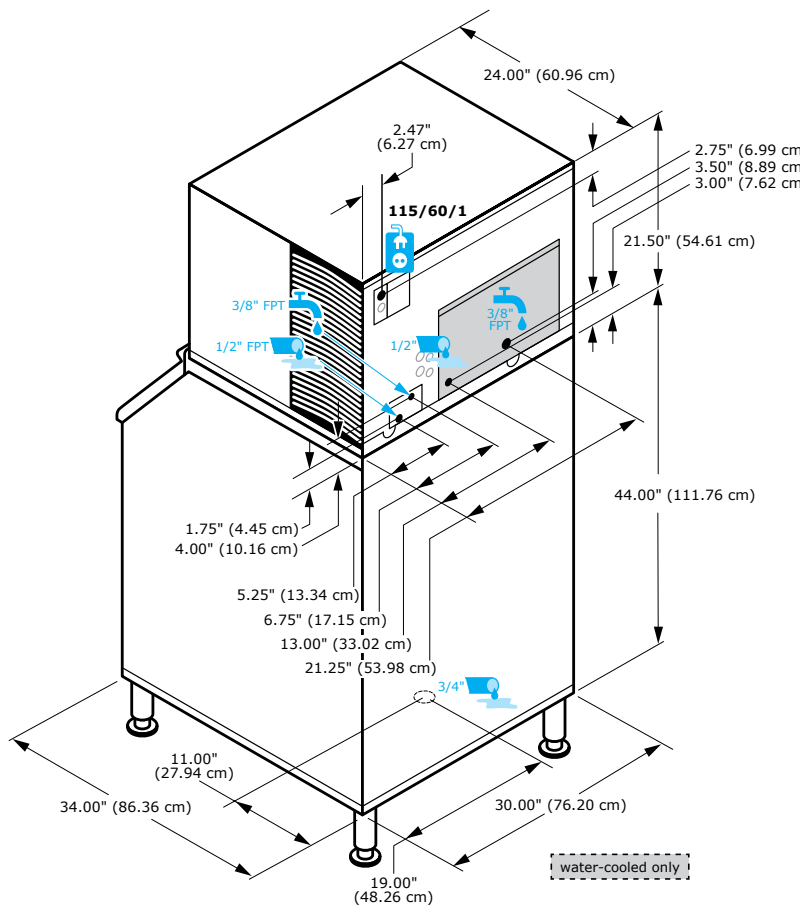
By MANITOWOC

2110 SOUTH 26TH ST | MANITOWOC, WI 54220 USA | 1-920-682-0161 [www.kool-aire.com]



K-0500 ICE KUBE MACHINE

			24h				
			70°/50°F 21°/10°C	90°/70°F 32°/21°C			
KDT-0500A			515 lbs 233 kg	400 lbs 181 kg	5.4	19	•
KYT-0500A			550 lbs 249 kg	425 lbs 193 kg	5.3	19	•
KDT-0500W			533 lbs 242 kg	420 lbs 191 kg	4.4	19	
KYT-0500W			560 lbs 254 kg	450 lbs 209 kg	4.0	19	



Minimum	Maximum
40°F 4.4°C	110°F 43.3°C
40°F 4.4°C	90°F 32.2°C
20psi 138 kPa	80psi 551 kPa
12.7 12.0	A
	20 Amps
156 lbs 69 kg	
163 lbs 74 kg	

Water cooled condenser water usage/100 lbs. or 45.5 Kg. of ice: 150 gals. / 568L.

Popular Accessories			
Artic Pure Water Filters AR-Pre & AR 10000	Dispenser Bin Thermostat Kit K-00457	Top Air Discharge Kit K-00379	Clean Air Pack K-00206

KOOLAIRE

By MANITOWOC

2110 SOUTH 26TH ST | MANITOWOC, WI 54220 USA | 1-920-682-0161 [www.kool-aire.com]