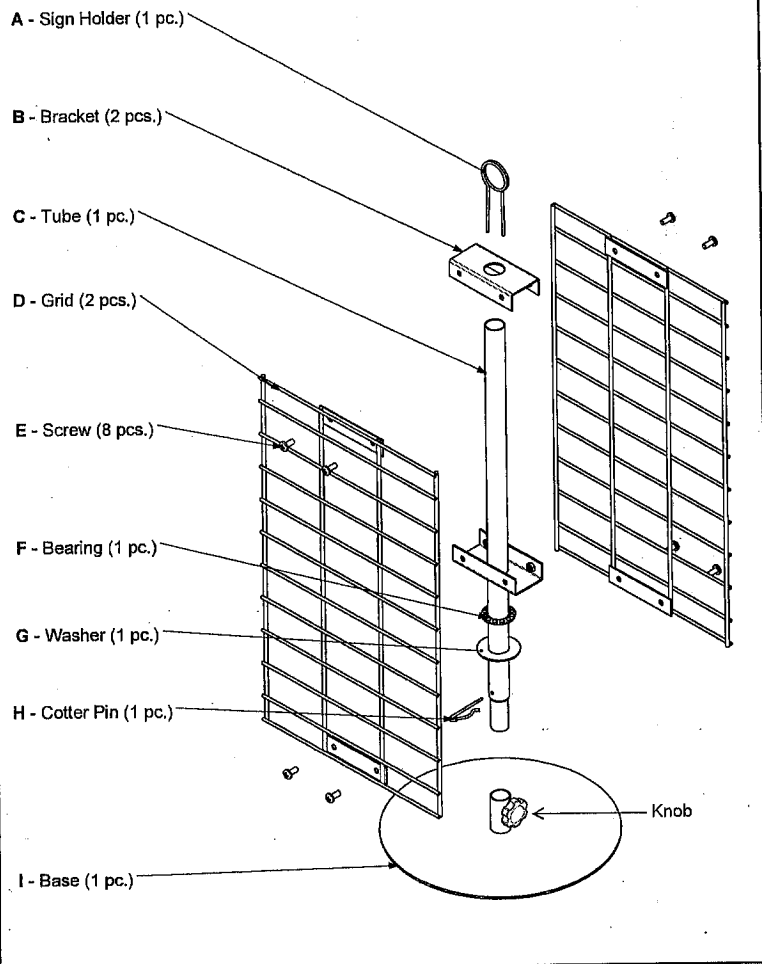


Assembly Instructions | CPD-2 (Double-Sided Countertop Grid Panel Display)

PARTS LIST



DIRECTIONS

1. Insert the Tube (C) into the Base (I) and secure by tightening the knob.
2. Insert the Cotter Pin (H) into the hole that is within the tube (C), as shown at left in the Parts List diagram.
3. Slide the Washer (G), followed by the Bearing (F), onto the tube. Rest them on top of the cotter pin.
4. With the 2 Brackets (B) facing toward each other (as shown in the Parts List diagram), attach the 2 Grids (D) to the 2 Brackets (B) using the 8 Screws (E) provided. Also see Attachment Detail below.
5. Slide the grid assembly over the Tube (C) and rest it atop the Bearing (B).
6. Pinch the legs of the Sign Holder (A) and insert into the top of the tube.

ATTACHMENT DETAIL

