

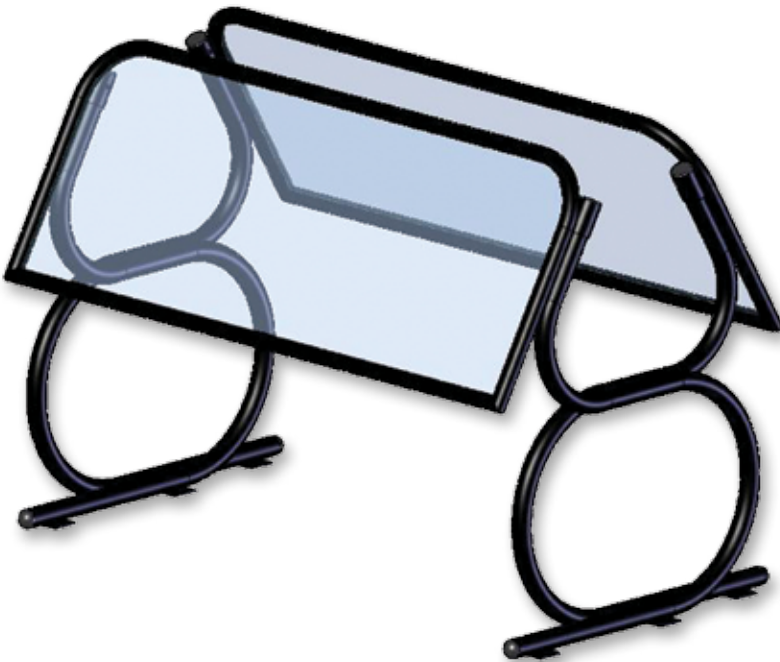
FOLDING PORTABLE SNEEZE GUARD



*Concerned about how to store
your sneeze guards
to prevent damage?*

*Storage and handling
solutions are available.*

- *Use 1 for single sided service or 2 back to back for double sided table service.*
- *13" Wrist Clearance.*
- *Designed to fit standard sized banquet tables.*
- *For use when food is not elevated above table.*



ANSI/NSF 2

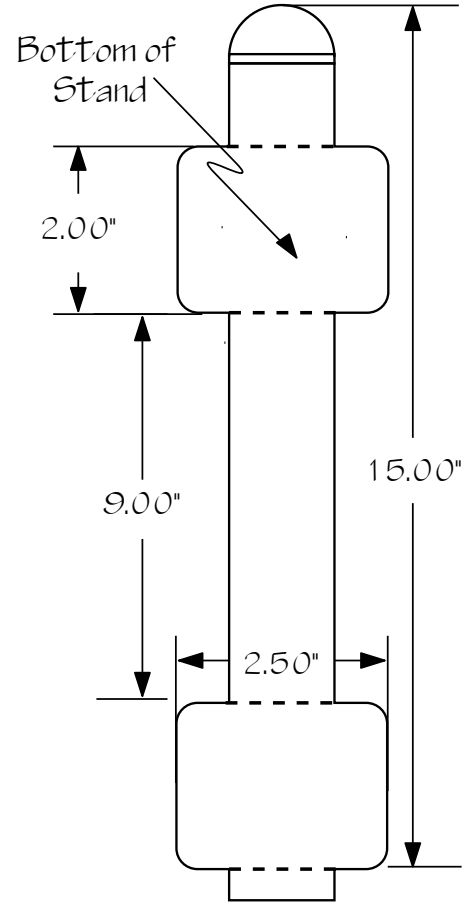
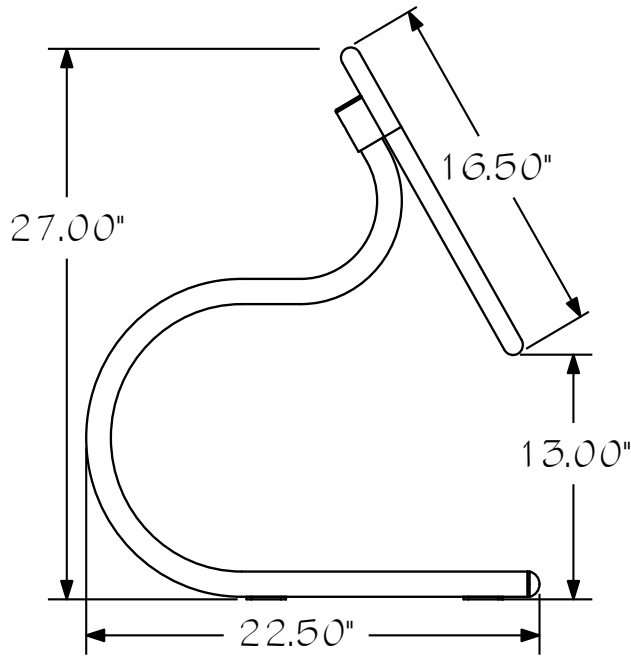
* Images are computer renderings, not actual photos, some color variance may occur from what is rendered to the actual powder coat finish.

Phone: 800-569-2056

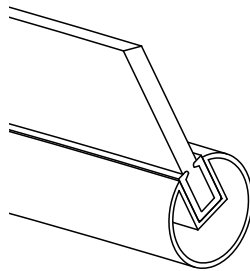
Fax: 573-449-7126

www.sneezeguardsolutions.com

SPECIFICATIONS



FOLDING PORTABLE



- Exclusive extruded 1" Groove Tube
- Mounted in rubber gasket
- 1.25" aluminum stands
- Scratch resistant acrylic food shield
- Powder coated finish

| <i>Black</i> | <i>Gold</i> | <i>Nominal Length</i> | <i>Overall Length</i> | <i>Between Stands</i> | <i>Weight</i> |
|--------------|-------------|-----------------------|-----------------------|-----------------------|---------------|
| 0801 | 0802 | 2 foot* | 25.5" | 20.5" | 8 lbs |
| 0901 | 0902 | 3 foot* | 34.75" | 29.75" | 9 lbs |
| 1001 | 1002 | 4 foot | 46.75" | 41.75" | 10 lbs |
| 1101 | 1102 | 5 foot | 58.75" | 53.75" | 13 lbs |
| 1201 | 1202 | 6 foot | 70.75" | 65.75" | 14 lbs |
| 1281 | 1282 | 8 foot | 94.75" | 89.75" | 18 lbs |

**One leg does not lock in a closed position due to short length of guard.*

Silver available upon request Call for quote on substituting tempered glass for Acrylic food shield.