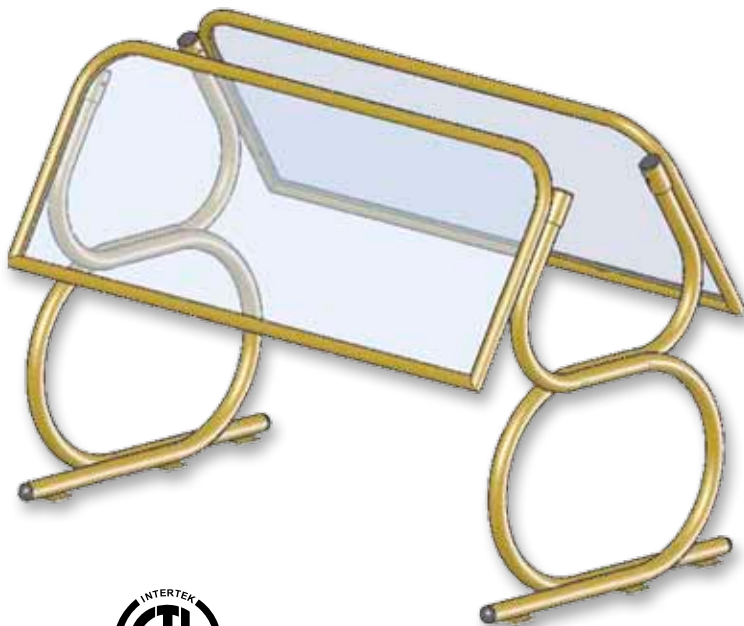
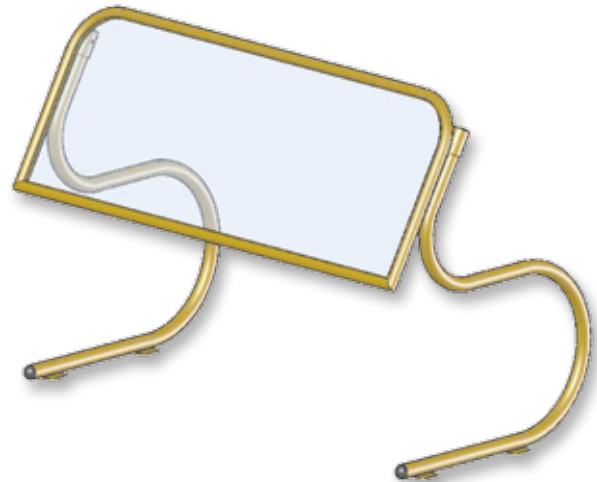


HI-PROFILE FOLDING PORTABLE SNEEZE GUARD



*Concerned about how to store
your sneeze guards
to prevent damage?*

*Storage and handling solu-
tions are available.*



- *Use 1 for single sided service or 2 back to back for double sided table service.*
- *18" Wrist Clearance.*
- *Designed to fit standard sized banquet tables.*
- *For use when chaffers, ice boats, or other elevated containers are used.*

HI-PROFILE PORTABLE



ANSI/NSF 2

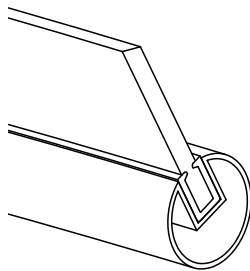
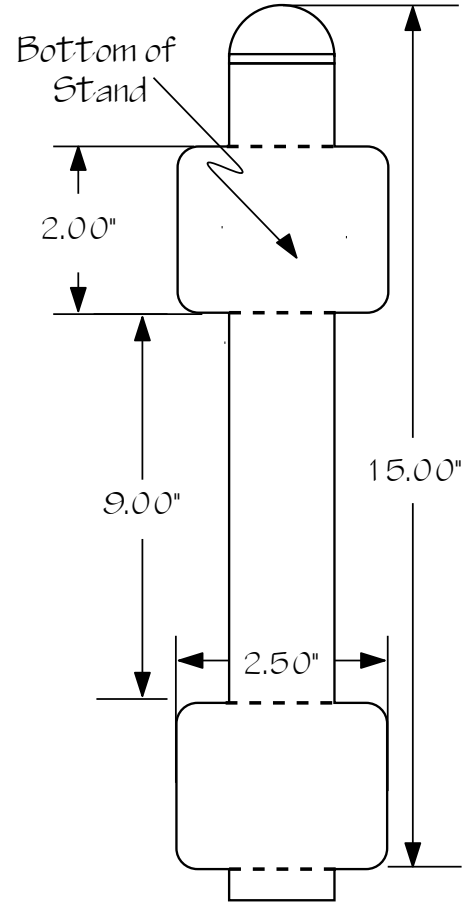
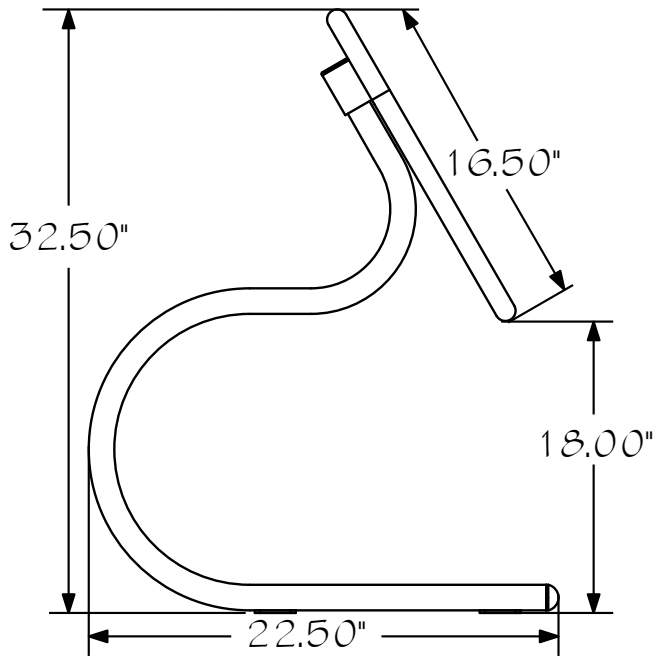
* Images are computer renderings, not actual photos, some color variance may occur from what is rendered to the actual powder coat finish.

Phone: 800-569-2056

Fax: 573-449-7126

www.sneezeguardsolutions.com

SPECIFICATIONS



- Exclusive extruded 1" Groove Tube
- Mounted in rubber gasket
- 1.25" aluminum stands
- Scratch resistant acrylic food shield
- Powder coated finish

<i>Black</i>	<i>Gold</i>	<i>Nominal Length</i>	<i>Overall Length</i>	<i>Between Stands</i>	<i>Weight</i>
<i>0801 HP</i>	<i>0802 HP</i>	<i>2 foot*</i>	<i>25.5"</i>	<i>20.5"</i>	<i>8 lbs</i>
<i>0901 HP</i>	<i>0902 HP</i>	<i>3 foot*</i>	<i>34.75"</i>	<i>29.75"</i>	<i>9 lbs</i>
<i>1001 HP</i>	<i>1002 HP</i>	<i>4 foot</i>	<i>46.75"</i>	<i>41.75"</i>	<i>10 lbs</i>
<i>1101 HP</i>	<i>1102 HP</i>	<i>5 foot</i>	<i>58.75"</i>	<i>53.75"</i>	<i>13 lbs</i>
<i>1201 HP</i>	<i>1202 HP</i>	<i>6 foot</i>	<i>70.75"</i>	<i>65.75"</i>	<i>14 lbs</i>
<i>1281 HP</i>	<i>1282 HP</i>	<i>8 foot</i>	<i>94.75"</i>	<i>89.75"</i>	<i>18 lbs</i>

**One leg does not lock in a closed position due to short length of guard.*

Silver available upon request Call for quote on substituting tempered glass for Acrylic food shield.

HI-PROFILE PORTABLE