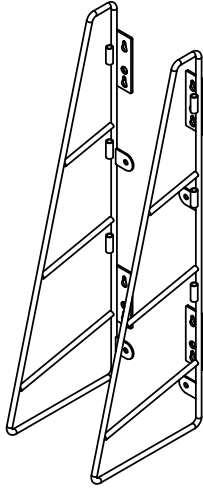


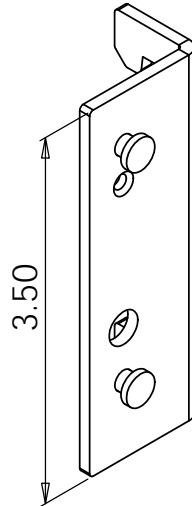
WIRE CANDY/SNACK RACK, 3 LEVELS 48"W

ASSEMBLY INSTRUCTIONS

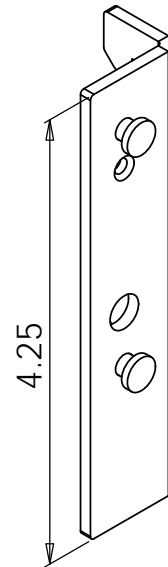
READ ALL INSTRUCTIONS BEFORE YOU BEGIN.
DO NOT JUMP AHEAD OF ANY STEP.



Frames

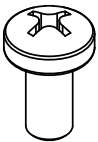


3.5" Brackets
Lozier / Madix



4.25" Brackets
Streater

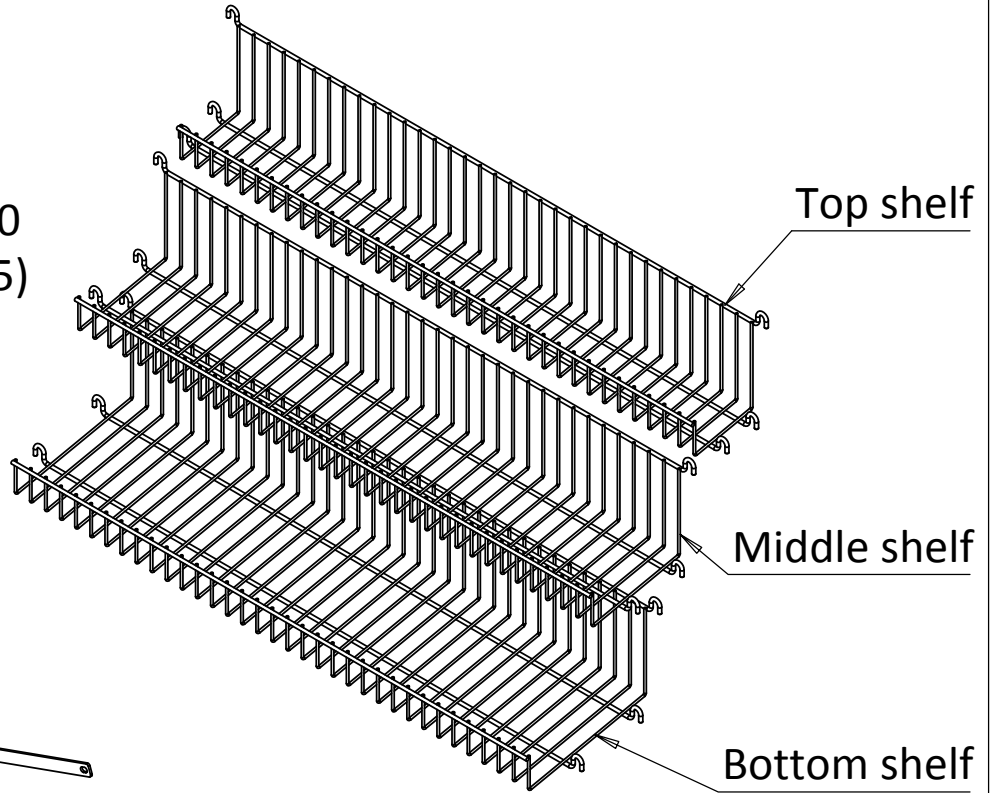
Hardware:



1/4-20X0.5"
screws (5)



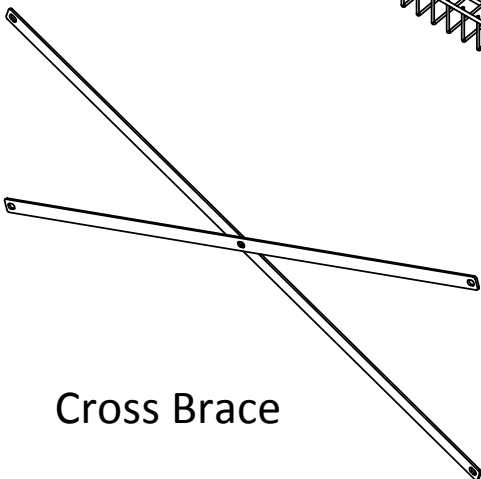
1/4-20
nuts (5)



Top shelf

Middle shelf

Bottom shelf



Cross Brace

ASSEMBLY INSTRUCTIONS

READ ALL INSTRUCTIONS BEFORE YOU BEGIN.
DO NOT JUMP AHEAD OF ANY STEP.

Freestanding or wall mounted instructions:

Assembly steps:

1. Stand both left and right frames up vertically.
2. Starting at the bottom, set the shelves onto frames, inserting rear downturn hooks into cylinder fastener on the frames.
3. Install cross brace along the back of the fixture, connecting to the flat plates on the rear of the frames inserting the bolts from the rear of the display.
4. If wall mounting, use the keyholes in the rear plate to secure with fasteners (not included). Figure 1

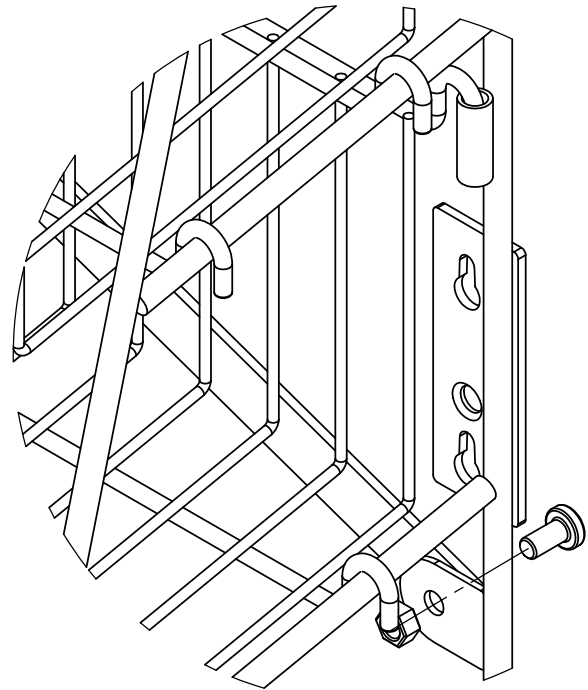
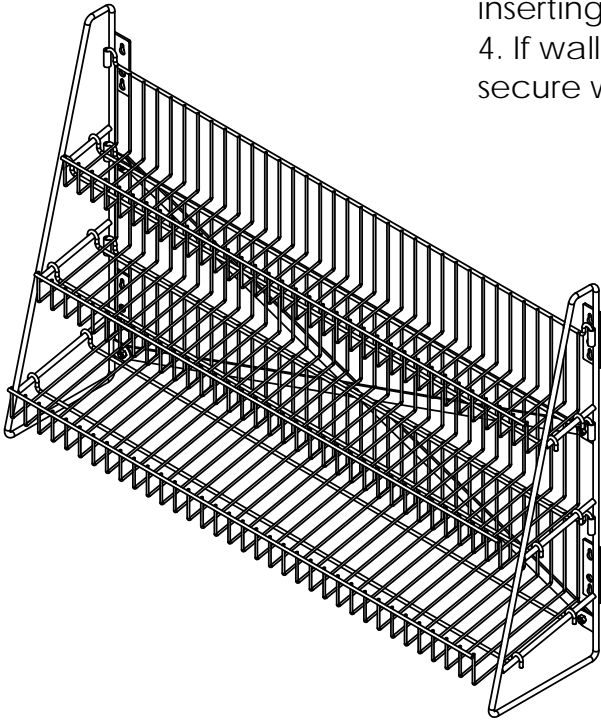
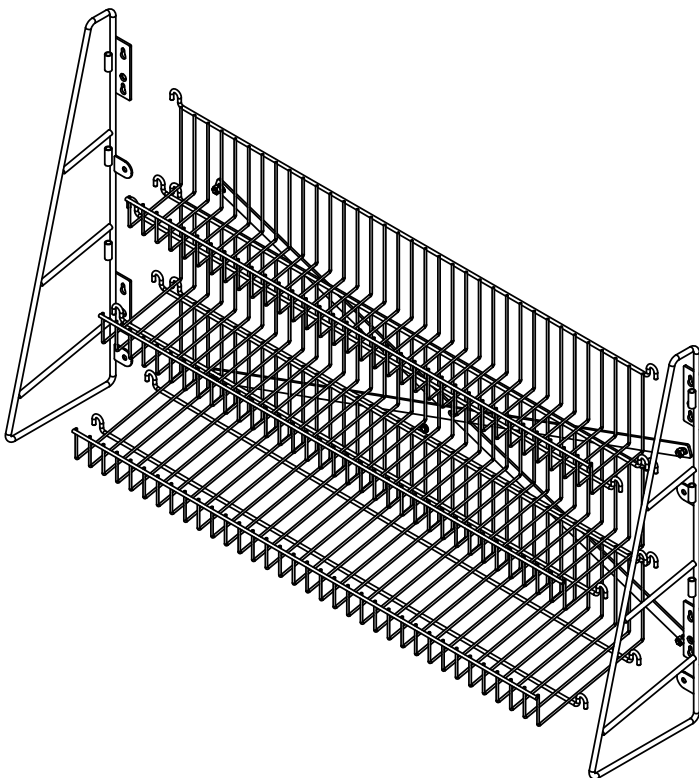


Figure 1



8	Nuts	5
7	Screws	5
5	Cross Brace	1
4	Top shelf	1
3	Middle shelf	1
2	Bottom shelf	1
1	Frames	2
Item	Name	Quantity

Gondola mounted instructions:

Assembly steps

1. Stand both left and right frames up vertically.
2. Select the brackets appropriate for your gondola shelving unit. The 3.5" tall brackets will be used for Lozier or Madix. The taller 4.5" tall brackets will be used for Streater. Insert the brackets into the keyhole slots of the rear plates, the bracket tabs facing outward. Figure 2
3. Starting at the bottom, set the shelves into frames, inserting rear downturn hooks into cylinder fastener on the frames.
4. Install optional cross brace along the back of the fixture, connecting to the flat plates on the rear of the frames inserting the bolts from the rear of the display.
4. Lift the rack into the gondola shelving unit, inserting the bracket tabs into the upright slots.

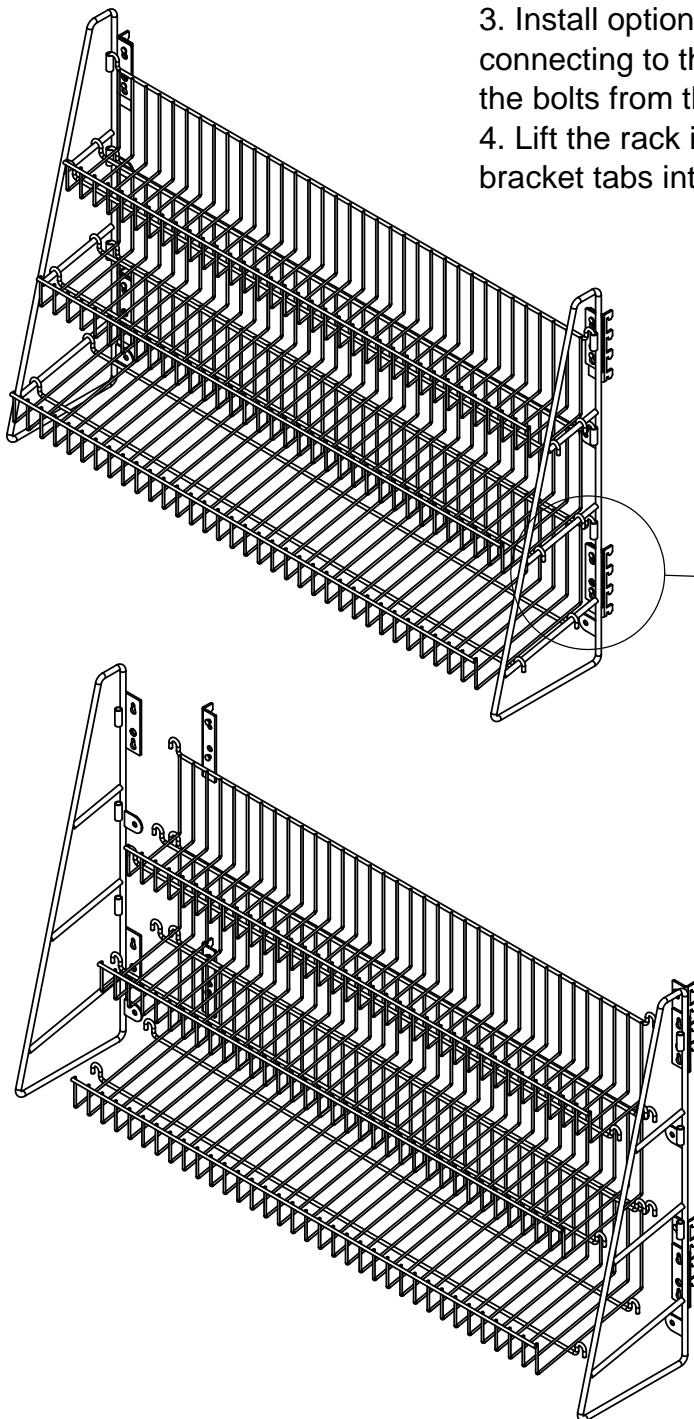
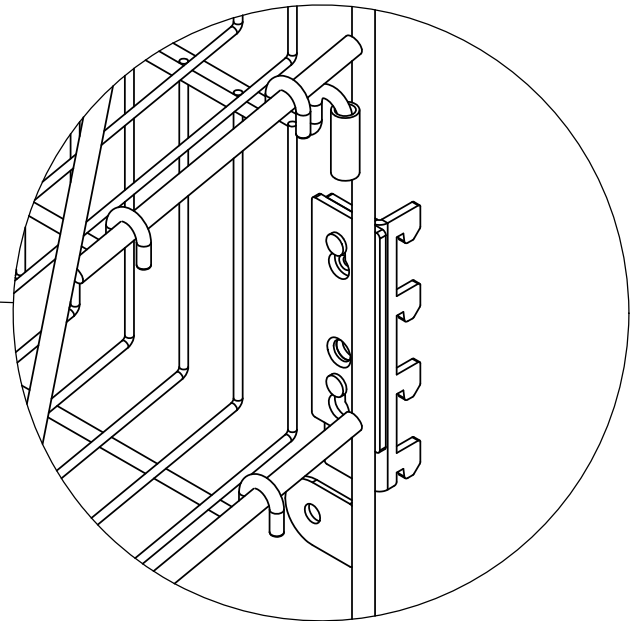


Figure 2



9	4.25 " Brackets R	2
8	4.25 " Brackets L	2
6	3.5 " Brackets R	2
5	3.5 " Brackets L	2
4	Top shelf	1
3	Middle shelf	1
2	Bottom shelf	1
1	Frames	2
Item	Name	Quantity