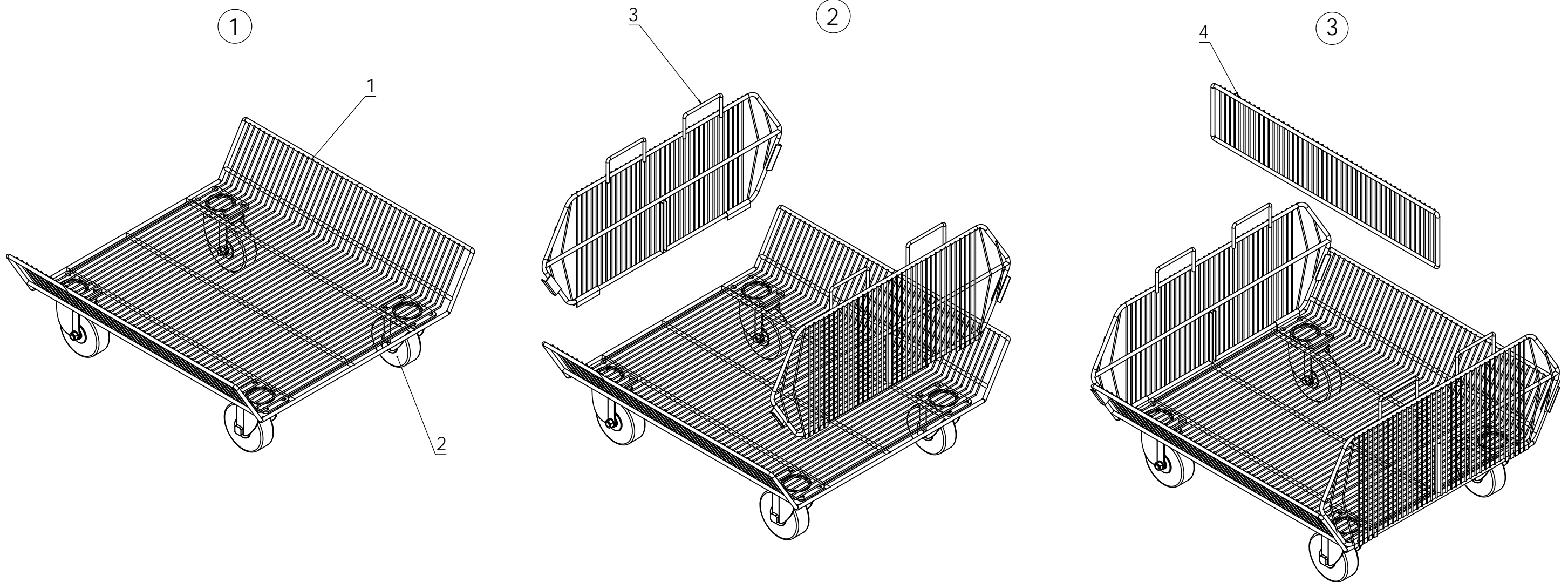


# 289 - SB16 - BLK

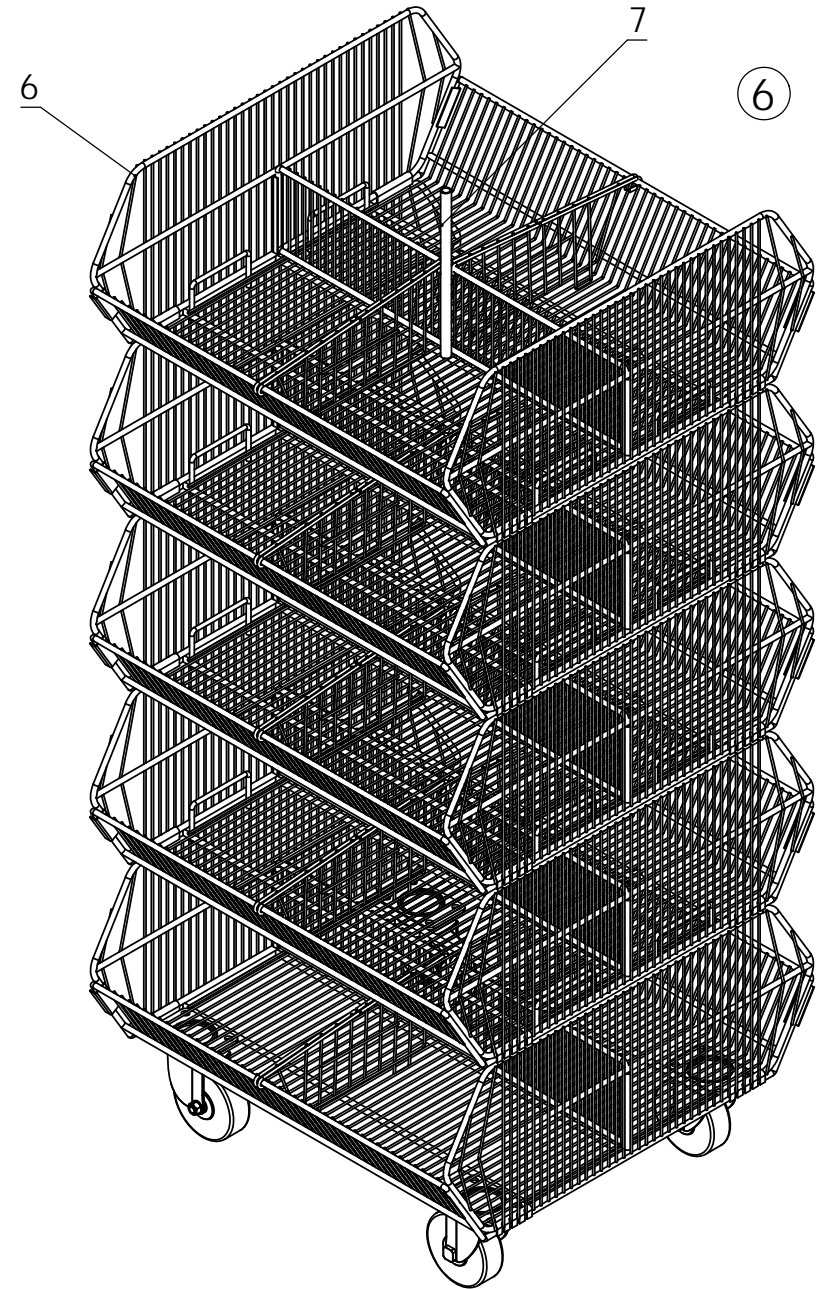
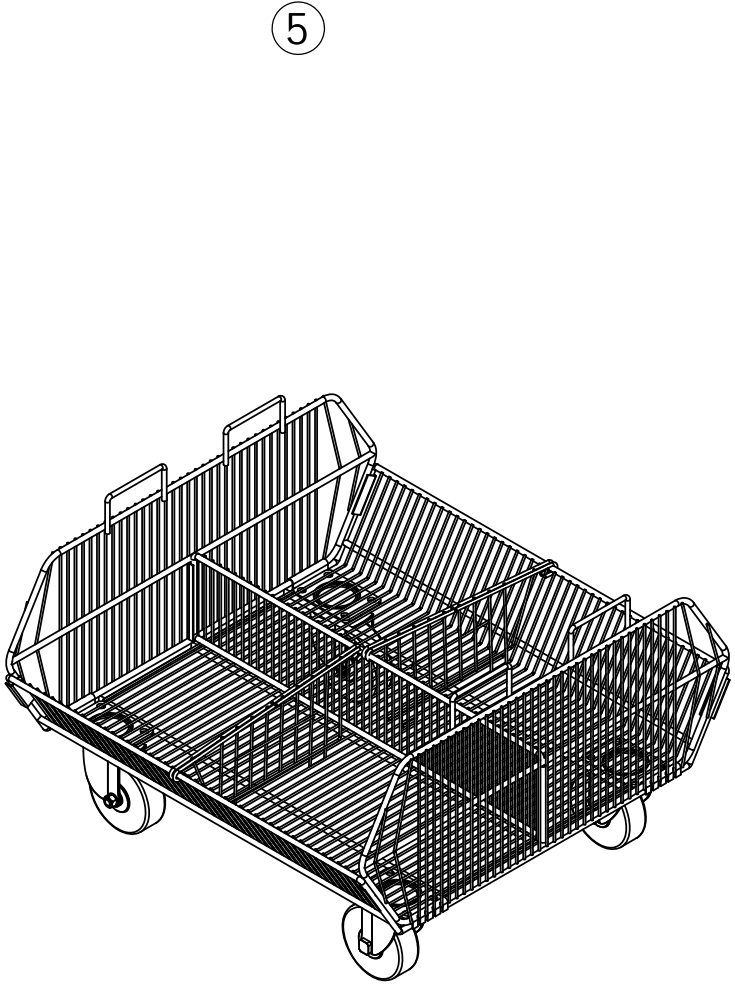
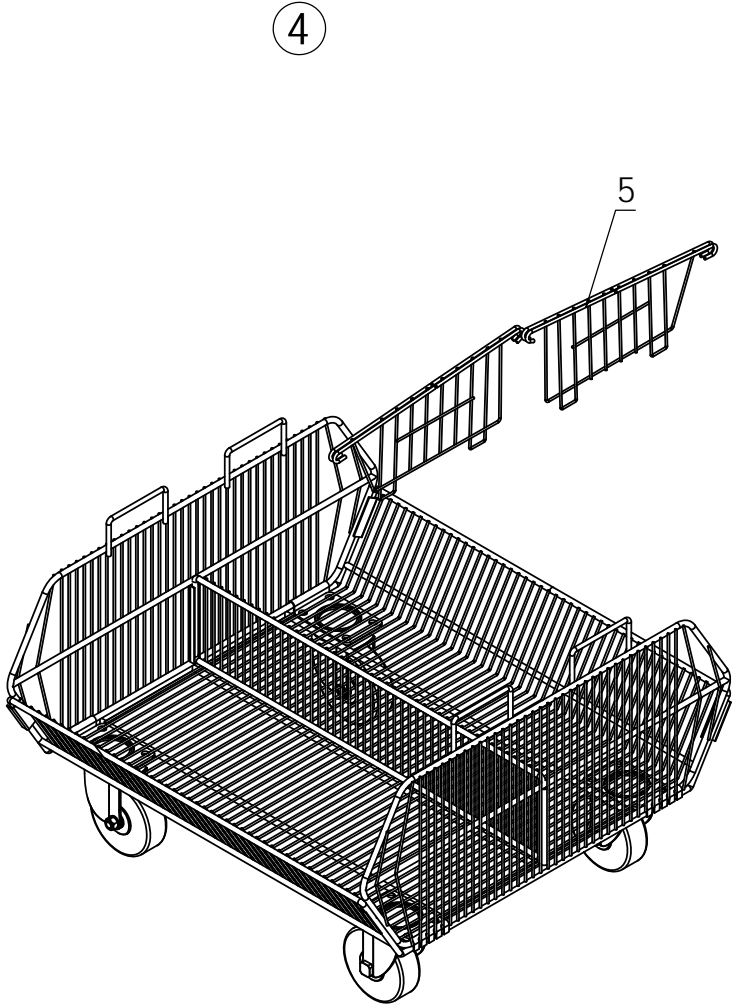
## ASSEMBLY INSTRUCTIONS



**PART LIST**

NO.	DESCRIPTIONS	QTY
1	WIRE SHELF	5
2	4 IN PLATE CASTER	4
3	SIDE WIRE GRID	8
4	FRONT DIVIDER	4

# 289 - SB16 - BLK ASSEMBLY INSTRUCTIONS



**PART LIST**

NO.	DESCRIPTIONS	QTY
5	SMALL DIVIDER	10
6	TOP SIDE WIRE GRID	2
7	TOP FRONT DIVIDER	1