



JOB:
ITEM:
QTY:



MILK CRATE DOLLIES

APPLICATION:

These dollies are specifically designed to store and transport 13"x13" milk crates. This allows for more efficient transporting from the trucks to the coolers.

MATERIAL:

Framework is constructed out of 1 1/4"x 1 1/2"x.070" wall tubing with a 15/16" leg to create a lip to hold crates in place. The frame on the #1622 is reinforced with two supports that are 1 1/4"x1 1/2"x.070" wall tubing.

CASTERS:

These dollies come equipped with four 5" platform type swivel casters.

GUARANTEE:

These racks carry a **Lifetime Guarantee** against rust and corrosion and also carry a **Five-Year Guarantee** against workmanship and material defects.

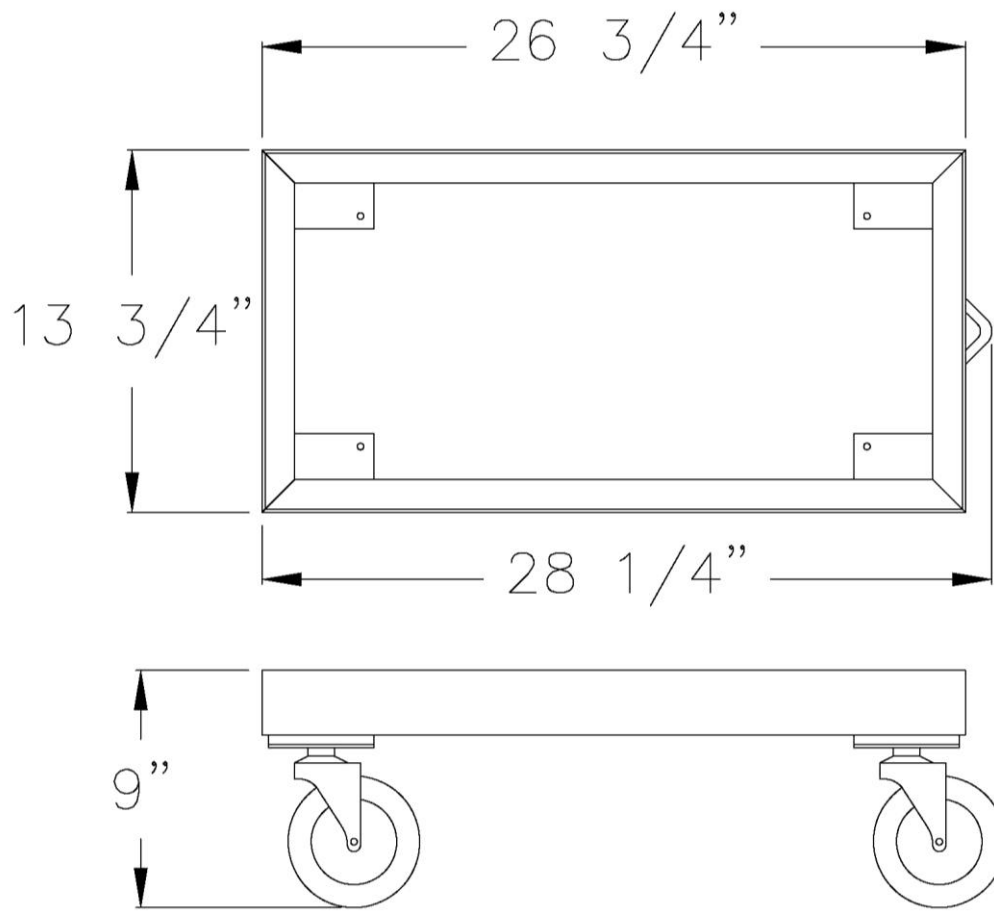


Model #1622



Phone:800-255-0104
Fax: 877-877-7687
www.newageindustrial.com
sales@newageindustrial.com

New Age Industrial reserves the right to modify or make changes at any time without notice to materials and specifications.



Model #1620

Model No.	Size-W	Size-H	Size-D	No. of Stacks	Crate Cap.
1620	13 3/4"	9"	28 1/4"	2	8
1622	26 3/4"	9"	28 1/4"	4	16
Aluminum Drag Hook					
1199			34 1/2" Long		



Phone: 800-255-0104
 Fax: 877-877-7687
www.newageindustrial.com
sales@newageindustrial.com

New Age Industrial reserves the right to modify or make changes at any time without notice to materials and specifications.