



JOB:
ITEM:
QTY:



POLY BOX STORAGE RACK

APPLICATION:

These racks are specifically designed to hold 18"x26" or 18"x13" poly food boxes. It also can hold poly boxes from many different manufactures such as Cambro, Carlisle, Continental, or Rubbermaid.

MATERIAL:

Framework is constructed of 1"x1"x.070" wall tubing. Guides are constructed of 1"x1 1/2"x.085" channel. The channel allows storing the boxes with or without the lids.

CASTERS:

These racks come equipped with four 5" platform type swivel casters.

GUARANTEE:

These racks carry a **Lifetime Guarantee** against rust and corrosion and also carry a **Five-Year Guarantee** against workmanship and material defects.

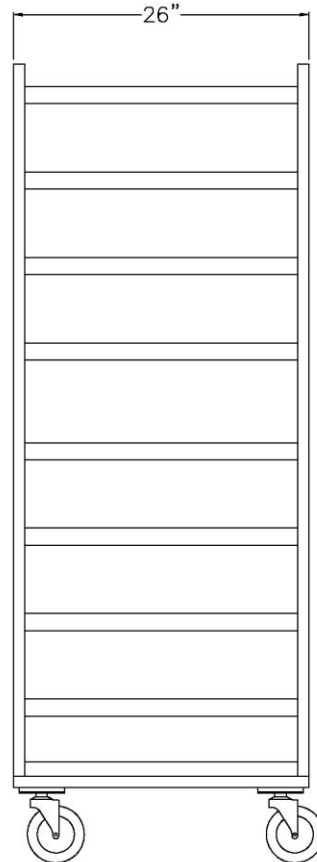
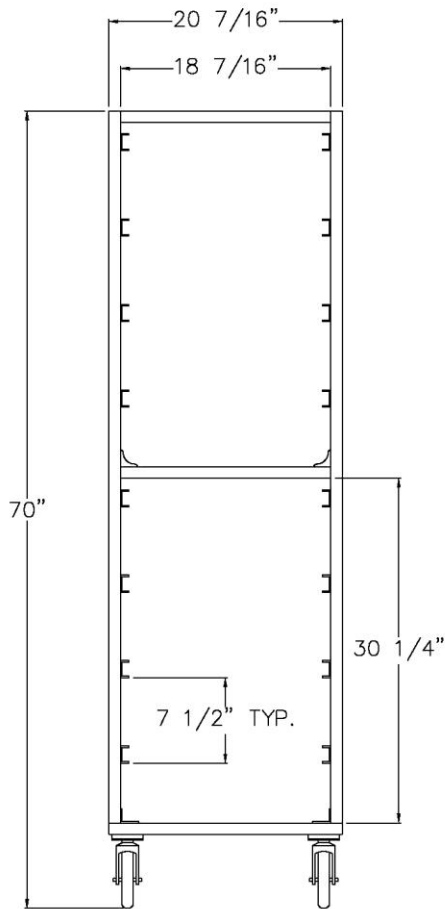


Model #1481



Phone: 800-255-0104
Fax: 877-877-7687
www.newageindustrial.com
sales@newageindustrial.com

New Age Industrial reserves the right to modify or make changes at any time without notice to materials and specifications.



Model #1481

Model No.	Size-W	Size-H	Size-D	Runner Spac.	Pan Cap.
1481	20 7/16"	70"	26"	7 1/2"	8
NS648	20 7/16"	70 3/4"	26"	3 1/2"	16
92052	20 7/16"	71 3/4"	26"	5"	12

THESE UNITS WILL NOT HOLD 18"X26" BUN PANS



Phone: 800-255-0104
 Fax: 877-877-7687
www.newageindustrial.com
sales@newageindustrial.com

New Age Industrial reserves the right to modify or make changes at any time without notice to materials and specifications.