



JOB:
ITEM:
QTY:



UNIVERSAL LUG DOLLY

APPLICATION:

The ideal transport/storage dolly for all departments; produce, bakery, meat, deli, etc... Designed to hold lugs by the bottom, not by the lip allowing you to store lugs of various sizes up to 16- $\frac{1}{4}$ "W x 9- $\frac{1}{2}$ "H x 27"L. Oval tubing extrusions allow easy-on, easy-off of product.

MATERIAL:

Framework is constructed out of 1"x1"x.070" wall tubing. Shelves are constructed out of 1/2"x 1 1/4" oval tubing. Uprights are reinforced with a channel to help prevent breakage from stem casters.

CASTERS:

These dollies come equipped with four 5" stem type swivel casters.

GUARANTEE:

These dollies carry a **Lifetime Guarantee** against rust and corrosion and also carry a **Five-Year Guarantee** against workmanship and material defects.

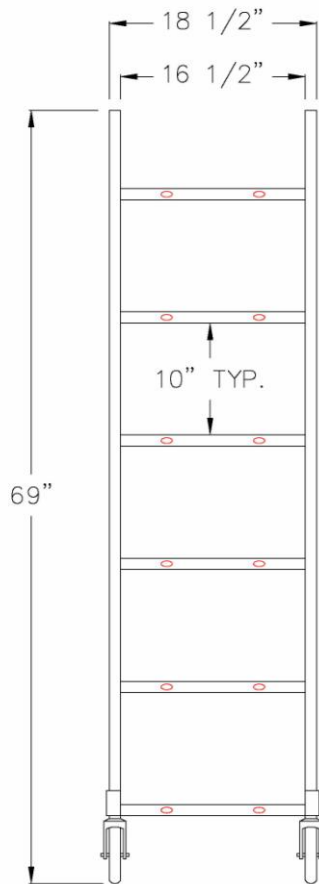


Model #1279



Phone: 800-255-0104
Fax: 877-877-7687
www.newageindustrial.com
sales@newageindustrial.com

New Age Industrial reserves the right to modify or make changes at any time without notice to materials and specifications.



Model #1279

Model No.	Size-W	Size-H	Size-D	Lug Capacity	Shelf Spacing
1276	18 1/2"	36"	26"	3	10"
1277	18 1/2"	47"	26"	4	10"
1279	18 1/2"	69"	26"	6	10"



Phone: 800-255-0104
 Fax: 877-877-7687
www.newageindustrial.com
sales@newageindustrial.com

New Age Industrial reserves the right to modify or make changes at any time without notice to materials and specifications.