



JOB:  
ITEM:  
QTY:



## UTILITY STOCK TRUCK

### APPLICATION:

This truck is built with all aluminum all welded design. This truck moves product with a convenient height for stocking. Perfect for narrow aisles with its 19" width.

### MATERIAL:

Framework is constructed out of 1 1/4"x 1 1/2"x.070" wall tubing and 1 1/2"x1 1/2 x.070" wall tubing. Sheet top is constructed out of .080" aluminum sheet. Handle is constructed out of 1 5/16" diameter pipe.

### CASTERS:

This truck comes equipped with four 5" platform type swivel casters.

### GUARANTEE:

This truck carries a **Lifetime Guarantee** against rust and corrosion and also carries a **One-Year Guarantee** against workmanship and material defects.

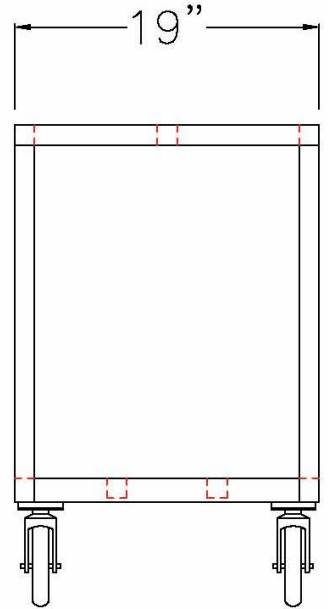
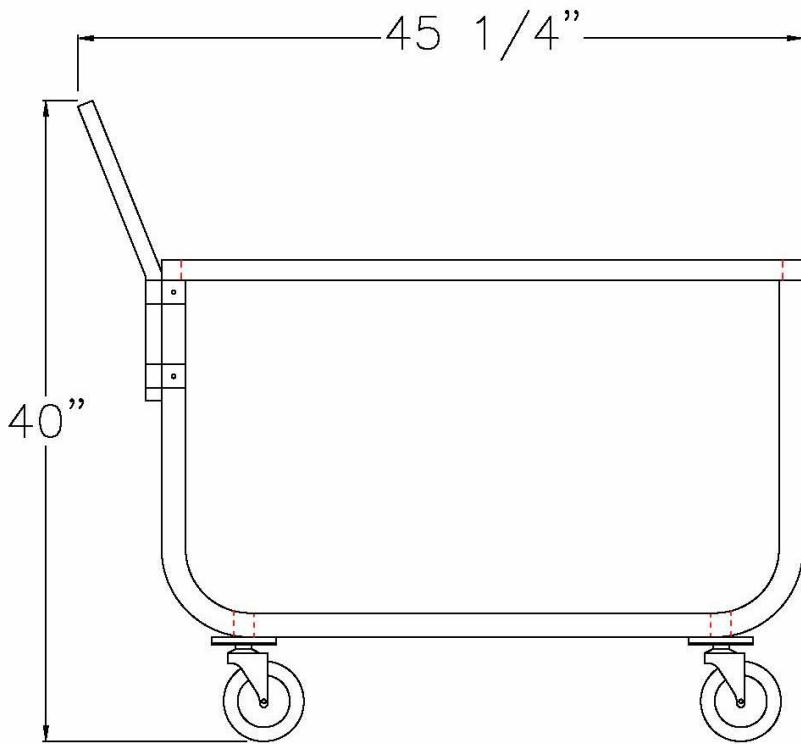


Model #96134BH



Phone:800-255-0104  
Fax: 877-877-7687  
[www.newageindustrial.com](http://www.newageindustrial.com)  
[sales@newageindustrial.com](mailto:sales@newageindustrial.com)

New Age Industrial reserves the right to modify or make changes at any time without notice to materials and specifications.



**Model #96134BH**

Model No.	Size-W	Size-H	Size-D	Wt. Cap.
96134BH	19"	40"	45 1/4"	700#



Phone: 800-255-0104  
 Fax: 877-877-7687  
[www.newageindustrial.com](http://www.newageindustrial.com)  
[sales@newageindustrial.com](mailto:sales@newageindustrial.com)

New Age Industrial reserves the right to modify or make changes at any time without notice to materials and specifications.