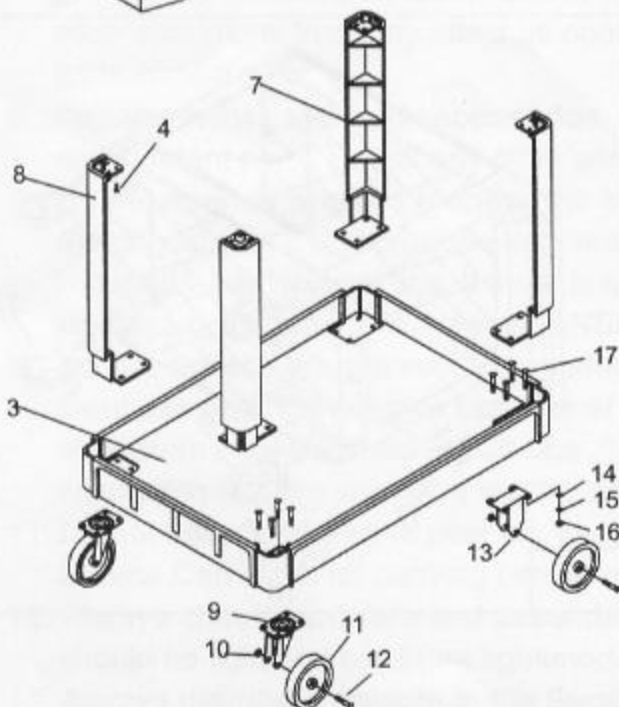
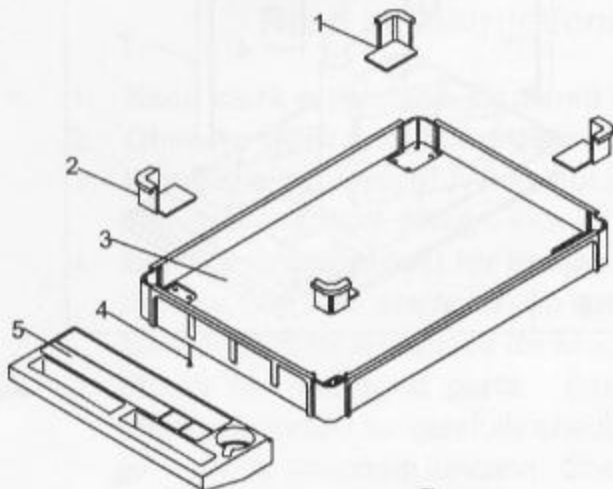
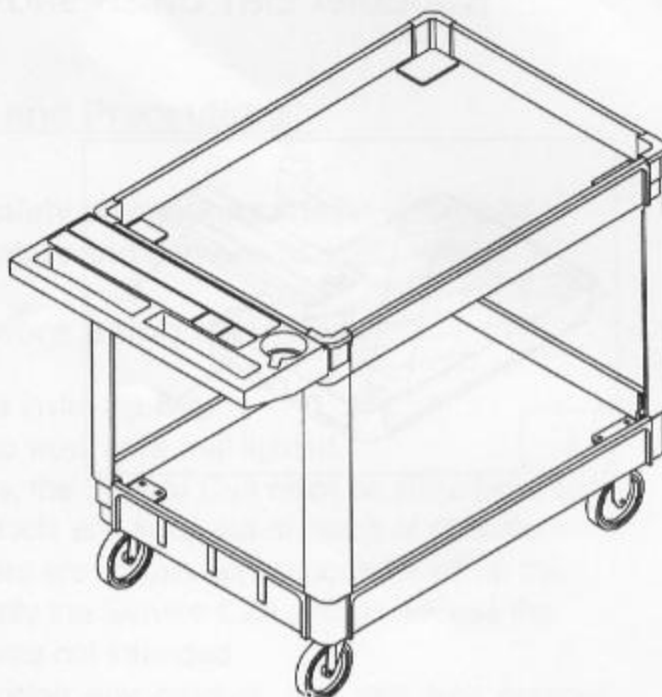


IMPORTANT SAFETY INSTRUCTIONS

READ ALL THE INSTRUCTIONS BEFORE USING THIS APPARATUS



NO	DESCRIPTION	QUANTITY
1	COVER	2
2	COVER	2
3	TABLE-BOARD	2
4	SCREW	8
5	HANDLE	1
7	LEG	2
8	LEG	2
9	FRAME OF UNIVERSAL WHEEL	2
10	NUT	4
11	WHEEL	4
12	SCREW	4
13	FRAME OF WHEEL	2
14	WASHER	16
15	WASHER	16
16	WHEEL	16
17	SCREW	16