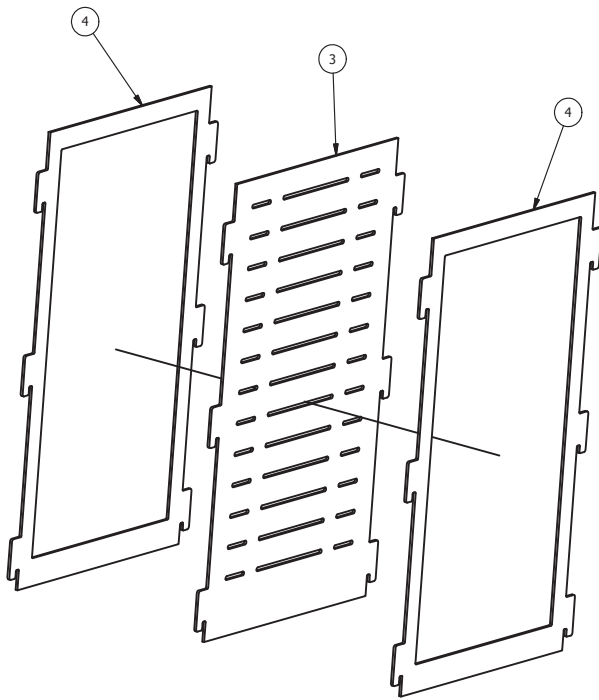


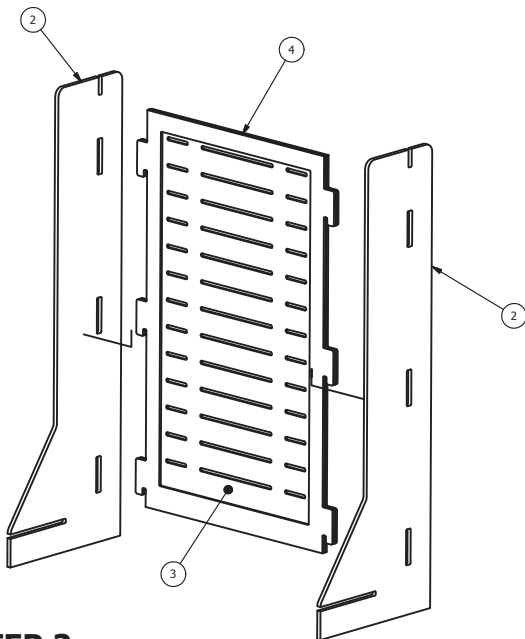
Item Number 84267

ASSEMBLY INSTRUCTIONS



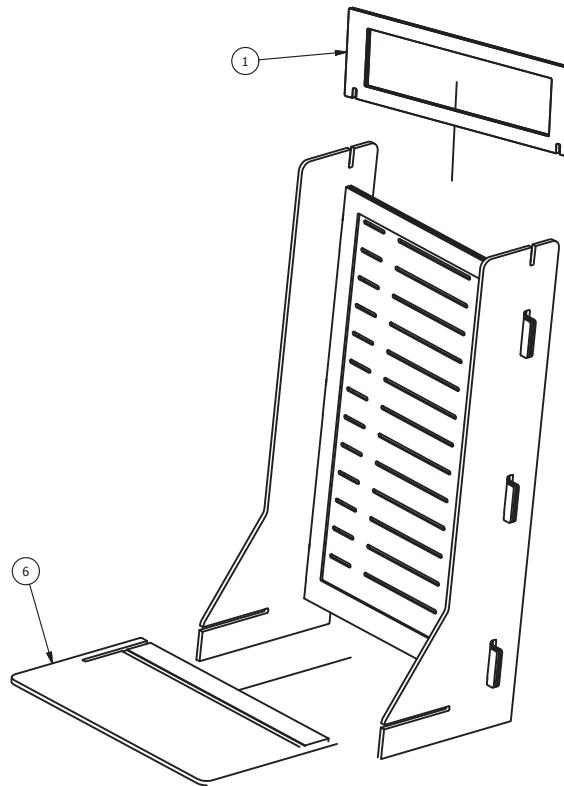
STEP 1:

- STACK CENTER PANEL (3) AND CENTER PANEL FRAMES (4) TO BUILD UP CENTER PANEL ASSEMBLY



STEP 2:

- INSERT CENTER PANEL ASSEMBLY INTO SIDE PANEL (2) SLOTS
- SLIDE CENTER PANELS ASSEMBLY DOWN TO INTERLOCK



STEP 3:

- SLIDE BASE PANEL (6) INTO BOTTOM NOTCHES
- LIFT CENTER PANEL WHILE INSERTING TO CLEAR BASE GROOVE

STEP 4:

- INSTALL HEADER (1) AND SHELVES (4)



Parts List

ITEM	QTY	DESCRIPTION
1	1	HEADER
2	2	SIDE PANEL
3	1	CENTER PANEL
4	2	CENTER PANEL FRAME
5	4	ADJ. SHELF
6	1	BASE PANEL