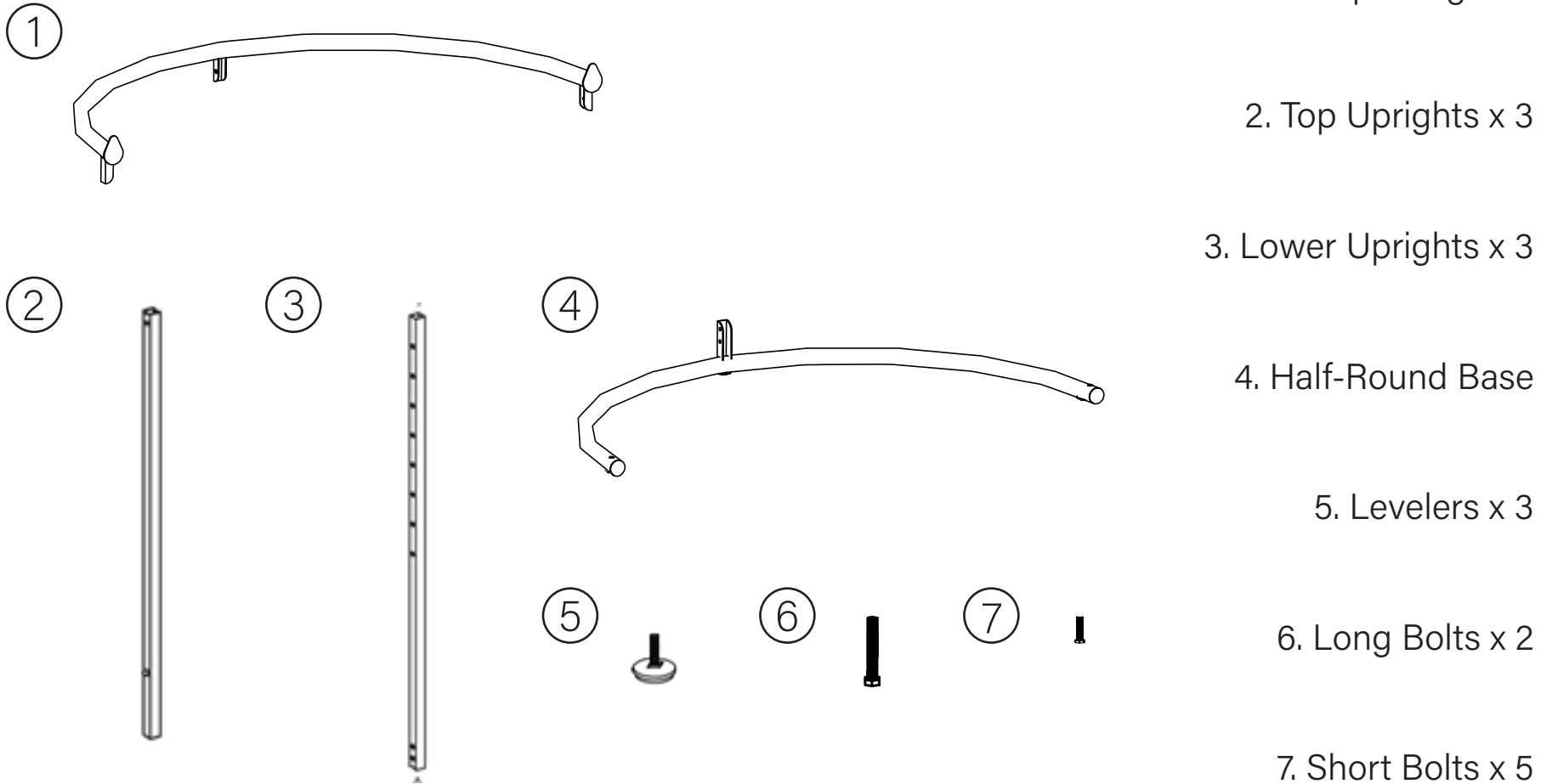
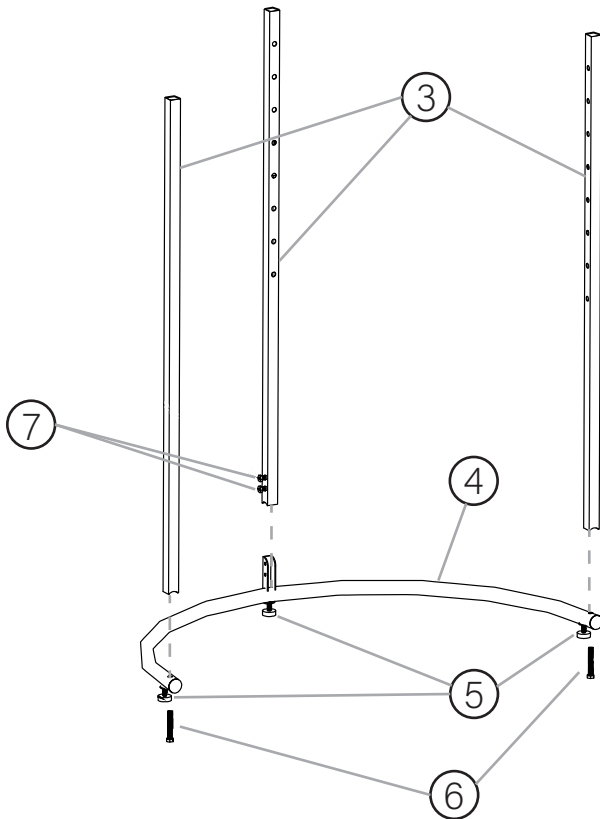


## COMPONENTS



- 1 Screw levelers to half-round base as shown. Secure one Lower Upright to middle of Half-Round Base with 2 Short Bolts. Secure two Lower Uprights to each end of Half-Round Base with 2 Long Bolts.



- 2 Insert Top Uprights into Lower Uprights at desired height. Attach Top Hang Rail to Top Uprights with 3 Short Bolts.

