



BRUTE® RECYCLING LIDS

Intuitive recycling lids with color-coding options ensure recyclables get into the right bins.

Features and Benefits:

- Lids are available with the following lid openings:
 - Mixed Recycling
 - Paper
 - Bottles/Cans
 - Open Top
- Integrated billboard is sized to fit compatible waste stream labels
- NSF-certified

COLORS AVAILABLE

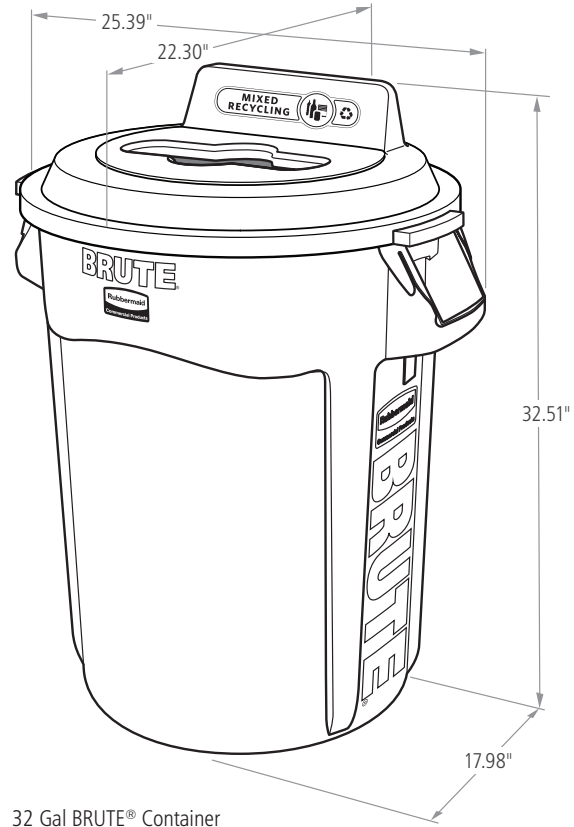
Red, Yellow, Green, Blue, Black, Brown, Dark Green

Material Composition:

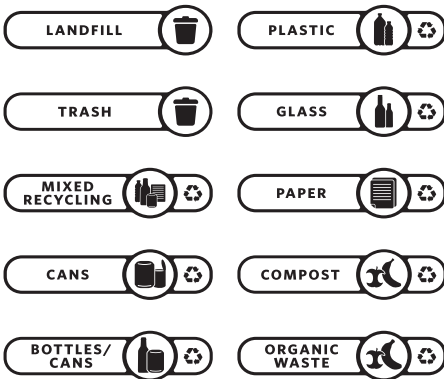
High Density Polyethylene

Compatibility:

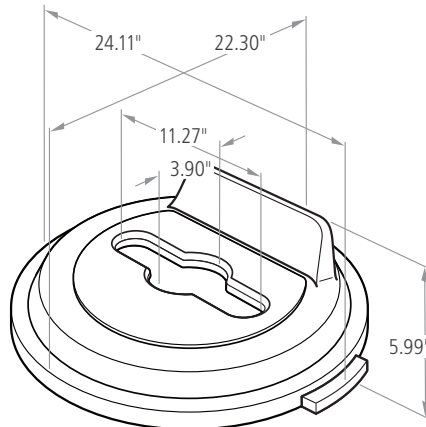
- 32 Gal BRUTE® containers
- Waste Stream Label Kit D – 1977788



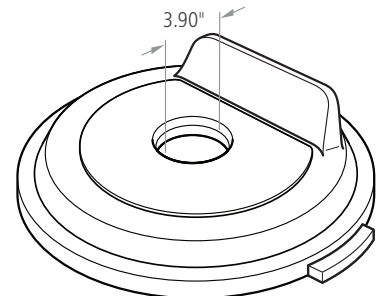
32 Gal BRUTE® Container



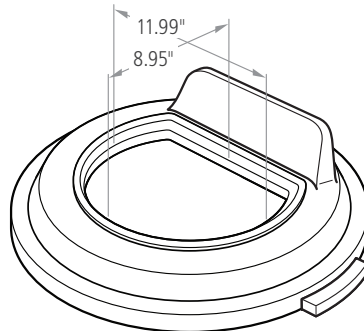
Waste Stream Label Kit D – 1977788



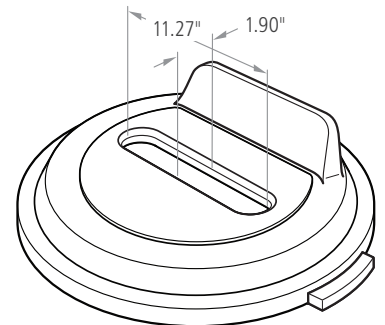
Mixed Recycling Lid



Bottles/Cans Lid



Open Top Lid



Paper Lid

BRUTE® RECYCLING LIDS

SKU #	DESCRIPTION	COLOR	CAPACITY	DIAMETER		HEIGHT	PACK SIZE
				GAL	IN		
2017962	BRUTE® 32G LID – OPEN TOP	RED	–	22.30	24.11	5.99	6
2017963	BRUTE® 32G LID – OPEN TOP	YELLOW	–	22.30	24.11	5.99	6
2017964	BRUTE® 32G LID – OPEN TOP	DARK GREEN	–	22.30	24.11	5.99	6
2017965	BRUTE® 32G LID – OPEN TOP	BLUE	–	22.30	24.11	5.99	6
2017738	BRUTE® 32G LID – OPEN TOP	BLACK	–	22.30	24.11	5.99	6
2017739	BRUTE® 32G LID – OPEN TOP	BROWN	–	22.30	24.11	5.99	6
2017740	BRUTE® 32G LID – BOTTLES/CANS	RED	–	22.30	24.11	5.99	6
2018161	BRUTE® 32G LID – BOTTLES/CANS	YELLOW	–	22.30	24.11	5.99	6
2018162	BRUTE® 32G LID – BOTTLES/CANS	DARK GREEN	–	22.30	24.11	5.99	6
2018163	BRUTE® 32G LID – BOTTLES/CANS	BLUE	–	22.30	24.11	5.99	6
2018164	BRUTE® 32G LID – BOTTLES/CANS	BLACK	–	22.30	24.11	5.99	6
2018165	BRUTE® 32G LID – BOTTLES/CANS	BROWN	–	22.30	24.11	5.99	6
2018166	BRUTE® 32G LID – PAPER	RED	–	22.30	24.11	5.99	6
2018167	BRUTE® 32G LID – PAPER	YELLOW	–	22.30	24.11	5.99	6
2018168	BRUTE® 32G LID – PAPER	DARK GREEN	–	22.30	24.11	5.99	6
2018169	BRUTE® 32G LID – PAPER	BLUE	–	22.30	24.11	5.99	6
2018170	BRUTE® 32G LID – PAPER	BLACK	–	22.30	24.11	5.99	6
2018211	BRUTE® 32G LID – PAPER	BROWN	–	22.30	24.11	5.99	6
2018212	BRUTE® 32G LID – MIXED RECYCLING	RED	–	22.30	24.11	5.99	6
2018213	BRUTE® 32G LID – MIXED RECYCLING	YELLOW	–	22.30	24.11	5.99	6
2018214	BRUTE® 32G LID – MIXED RECYCLING	DARK GREEN	–	22.30	24.11	5.99	6
2018215	BRUTE® 32G LID – MIXED RECYCLING	BLUE	–	22.30	24.11	5.99	6
2018216	BRUTE® 32G LID – MIXED RECYCLING	BLACK	–	22.30	24.11	5.99	6
2018217	BRUTE® 32G LID – MIXED RECYCLING	BROWN	–	22.30	24.11	5.99	6
1977788	WASTE STREAM LABEL KIT D	WHITE	–	10.30	2.60	0.06	1
FG263200RED	BRUTE® CONTAINER	RED	32	22.64	25.39	27.87	6
FG263200YEL	BRUTE® CONTAINER	YELLOW	32	22.64	25.39	27.87	6
FG263200DGRN	BRUTE® CONTAINER	DARK GREEN	32	22.64	25.39	27.87	6
FG263200BLUE	BRUTE® CONTAINER	BLUE	32	22.64	25.39	27.87	6
1867531	BRUTE® CONTAINER	BLACK	32	22.64	25.39	27.87	6
2018369	BRUTE® CONTAINER	BROWN	32	22.64	25.39	27.87	6

