



# SLIM JIM<sup>®</sup> RECYCLING STATION 3-STREAM KIT

An adaptable recycling solution offers a front-of-house look with smart functionality.

## Features and Benefits:

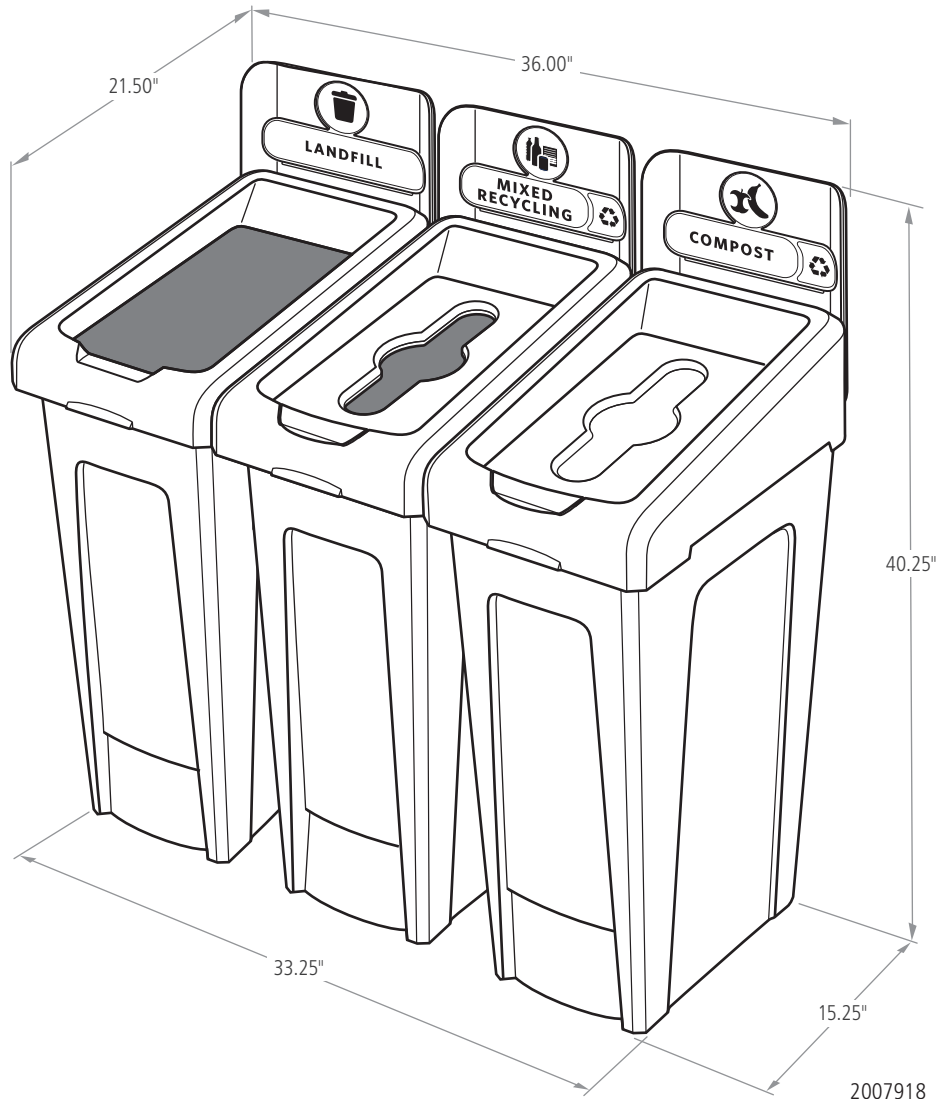
- Simple and durable execution. Components snap in place without the use of hardware
- Hinging lid inserts are optimized to fit any size recyclable
- Venting channels for easy liner removal and a cinch grip to secure and hide liner bags

## COLORS AVAILABLE

Black/Blue/Yellow, Black/Blue/Green

## Material Composition:

- Base: Polyethylene blend
- Lid: Polyethylene blend
- Connector: Polypropylene
- Billboard: Polypropylene
- Lid insert: Polypropylene



2007918

## SLIM JIM<sup>®</sup> RECYCLING STATION 3-STREAM KIT

SKU #	DESCRIPTION	COLOR	CAPACITY GAL	LENGTH IN	WIDTH IN	HEIGHT IN	PACK SIZE
2007917	3-STREAM STATION LANDFILL/PAPER/BOTTLES/CANS	BLACK/BLUE/YELLOW	23/23/23	21.50	36.00	40.25	1
2007918	3-STREAM STATION LANDFILL/MIXED RECYCLING/COMPOST	BLACK/BLUE/GREEN	23/23/23	21.50	36.00	40.25	1

162707 |

©2017 Rubbermaid Commercial Products LLC  
8900 Northpointe Executive Park Drive, Huntersville, NC 28078

