



# SLIM JIM® RECYCLING STATION 4-STREAM KIT

An adaptable recycling solution offers a front-of-house look with smart functionality.

## Features and Benefits:

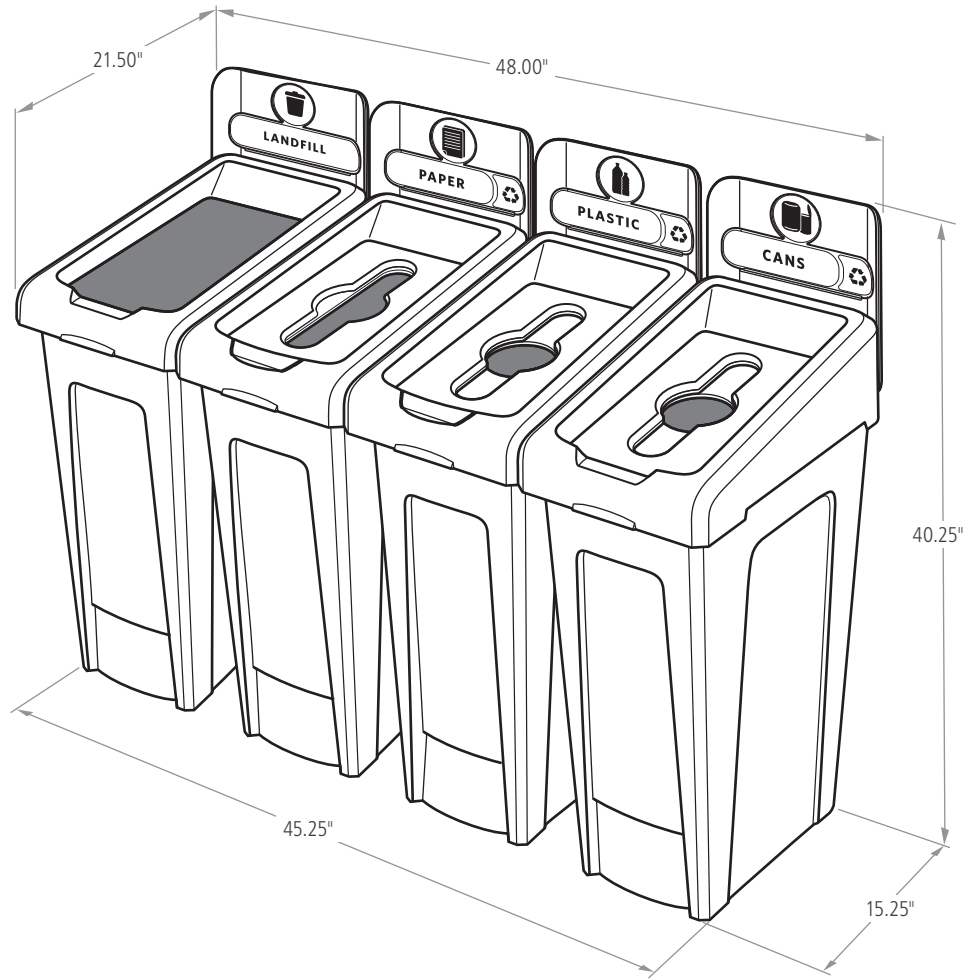
- Components snap in place without the use of hardware
- Hinging lid inserts are optimized to fit any size recyclable
- Venting channels for easy liner removal and a cinch grip to secure and hide liner bags

## COLORS AVAILABLE

Black/Blue/Red/Yellow

## Material Composition:

- Base: Polyethylene blend
- Lid: Polyethylene blend
- Connector: Polypropylene
- Billboard: Polypropylene
- Lid insert: Polypropylene



## SLIM JIM® RECYCLING STATION 4-STREAM KIT

SKU #	DESCRIPTION	COLOR	CAPACITY GAL	LENGTH IN	WIDTH IN	HEIGHT IN	PACK SIZE
2007919	4-STREAM STATION LANDFILL/PAPER/PLASTIC/CANS	BLACK/BLUE/RED/YELLOW	23/23/23/23	21.50	48.00	40.25	1

162707 |

©2017 Rubbermaid Commercial Products LLC  
8900 Northpointe Executive Park Drive, Huntersville, NC 28078

