

# WAVEBRAKE® BUCKET AND WRINGER WITH BUILT-IN DRAIN

With features that surpass traditional mop buckets, the new generation WaveBrake® helps to clean floors with less effort to get the job done safer, without sacrificing quality and durability.

## Features and Benefits:

- Up to 80% less splashing.\* Patented WaveBrake® baffles result in less splashing while mopping and maneuvering, helping to create a safer environment for patrons and staff
- WaveBrake® wringers are guaranteed to last 5 years or 200,000 cycles
- Integrated handles and sink ledge make it easy to lift and empty the mop bucket with less strain
- Pour spout helps prevent water from spilling on to floors while emptying dirty water
- Integrated wringer-guides ensure a secure connection to mop bucket, providing stability while wringing and maneuvering
- Non-marking casters will not scuff floors to keep them looking their best

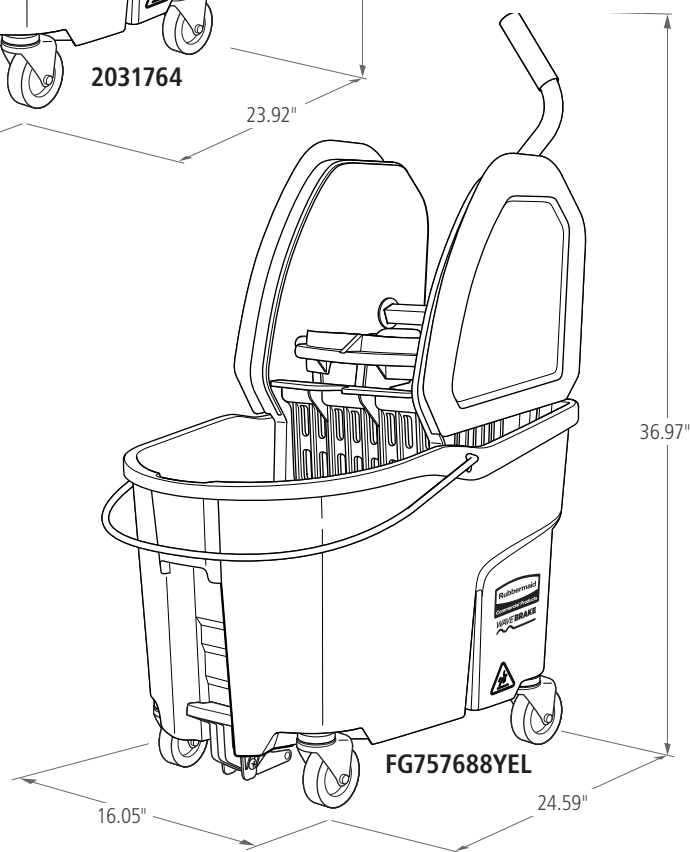
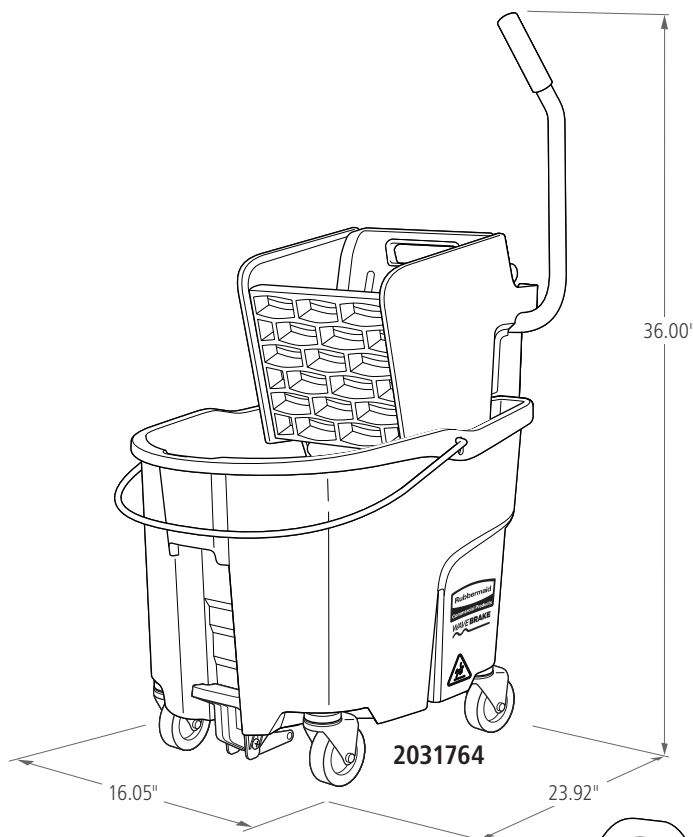
\*versus competitive 35Qt U.S. single compartment mop bucket and wringer, not including divider bucket and accessories.

## Colors Available:

- Yellow

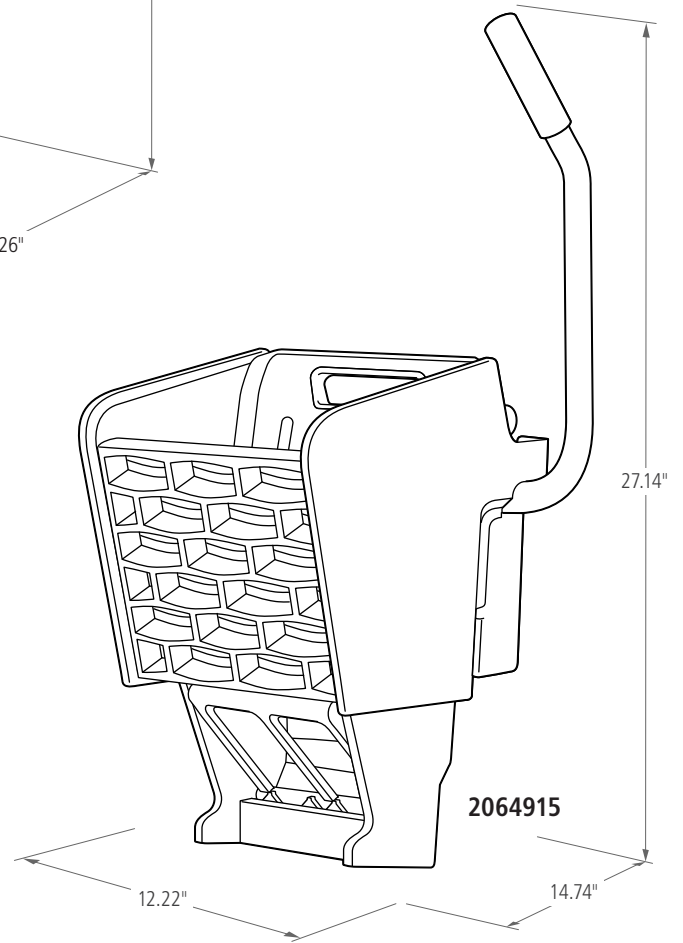
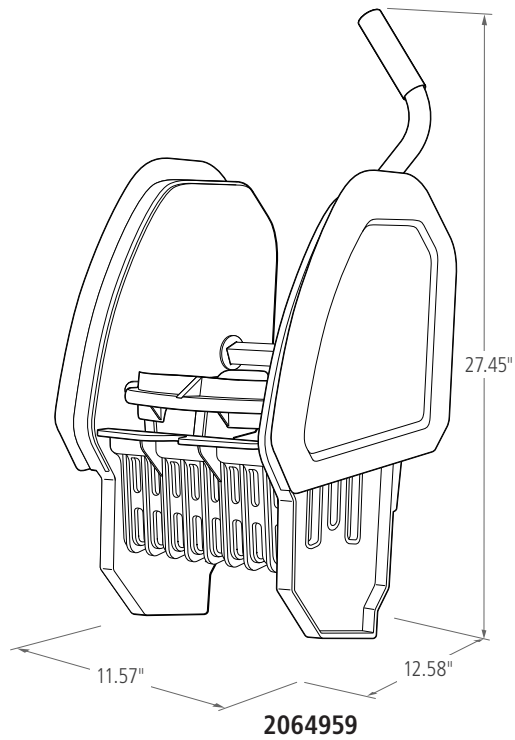
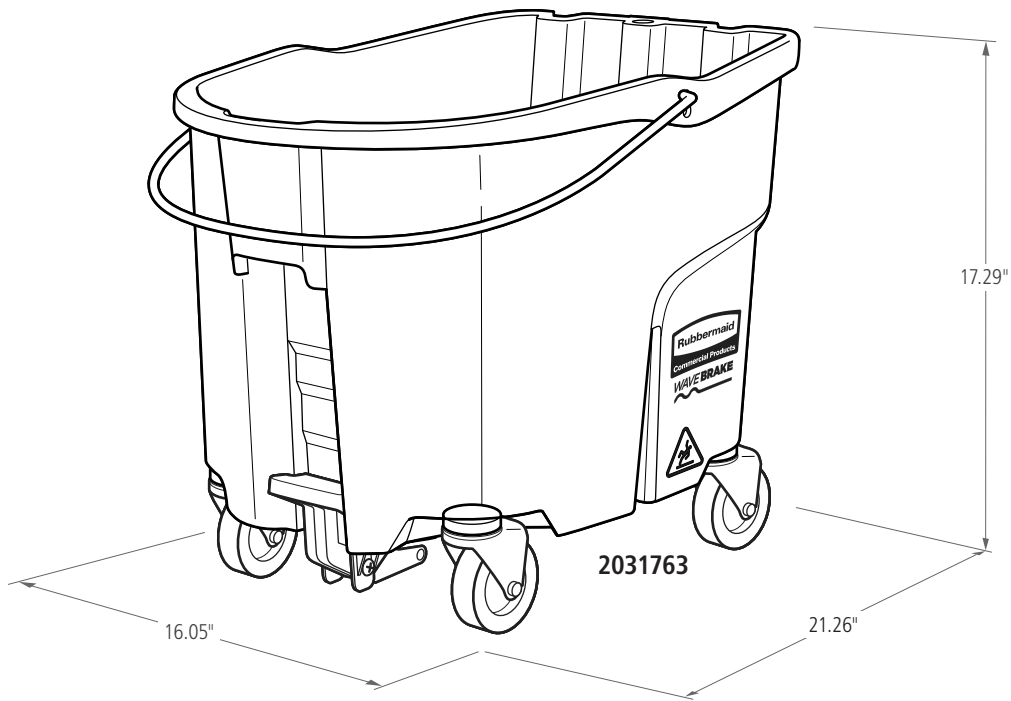
## Material Composition:

- Bucket and wringer are made with structural web-molded plastic
- Wringer and bail handles are made with steel
- Back of bucket red handle is polypropylene
- Foot pedal is injection-molded acetal



## Unit Packaged Dimensions

SKU #	DESCRIPTION	COLOR	CAPACITY	LENGTH	WIDTH	HEIGHT	WEIGHT	CASE QTY
			QT	IN	IN	IN	LB	
2031764	35-QT WAVEBRAKE® SIDE-PRESS BUCKET AND WRINGER WITH DRAIN	YELLOW	35	23.92	16.05	36.00	19.95	1
FG618688YEL	44-QT WAVEBRAKE® SIDE-PRESS BUCKET AND WRINGER WITH DRAIN	YELLOW	44	26.44	16.05	36.00	20.70	1
FG757688YEL	44-QT WAVEBRAKE® DOWN-PRESS BUCKET AND WRINGER WITH DRAIN	YELLOW	44	24.59	16.05	36.97	18.70	1



## Replacement Parts

SKU #	DESCRIPTION	COLOR	CAPACITY	LENGTH	WIDTH	HEIGHT	WEIGHT	CASE QTY
			QT	IN	IN	IN	LB	
2031763	35-QT WAVEBRAID® BUCKET AND CASTERS WITH DRAIN	YELLOW	35	21.26	16.05	36.00	10.00	1
2064915	WAVEBRAID® SIDE-PRESS WRINGER	YELLOW	N/A	14.74	12.22	27.14	9.95	2
2064959	WAVEBRAID® DOWN-PRESS WRINGER	YELLOW	N/A	12.58	11.57	27.45	9.50	2

