

CU3030 – 300 lb Self-contained Ice Machine

Prodigy® Undercounter Cuber with Storage



CU3030

Features

Prodigy® undercounter cubers use **significantly less energy and water** than other cube ice machines, exceeding California and Federal energy efficiency regulations.

Auto-Alert™ control panel can communicate operating status and signal when it's time to descale, sanitize, and more—making upkeep easier.

The patented **WaterSense adaptive purge control** delivers maximum reliability by reducing scale buildup for a longer time between cleanings.

All external panel components are crafted for **optimal aesthetic appeal** through superior fit and finish.

Preventative maintenance is simpler than ever with easily-removed door, top panel and storage bin allowing clear access to all internal components and a diagnostic code display insuring the right fix the first time.

Recessed front panel on/off switch and front removable air filter.

24 Hour Volume Production

| Air Cooled | | |
|---------------------------------|--------------|--|
| 70°F/21°C 50°F/10°C lb/kg | Air Water | ARI 90°F/32°C 70°F/21°C lb/kg |
| 250/114 | | 217/99 |

| Water Cooled | | |
|---------------------------------|--------------|--|
| 70°F/21°C 50°F/10°C lb/kg | Air Water | ARI 90°F/32°C 70°F/21°C lb/kg |
| 310/141 | | 285/130 |



Front Air Filter



Front On-Off Switch

Cube Ice



Small Cube
3/8" x 3/8" x 3/8"
(2.22 x 2.22 x .95 cm)



Medium Cube
3/8" x 3/8" x 3/8"
(2.22 x 2.22 x 2.22 cm)

Common ice form, ideal for mixed drinks.

Warranty

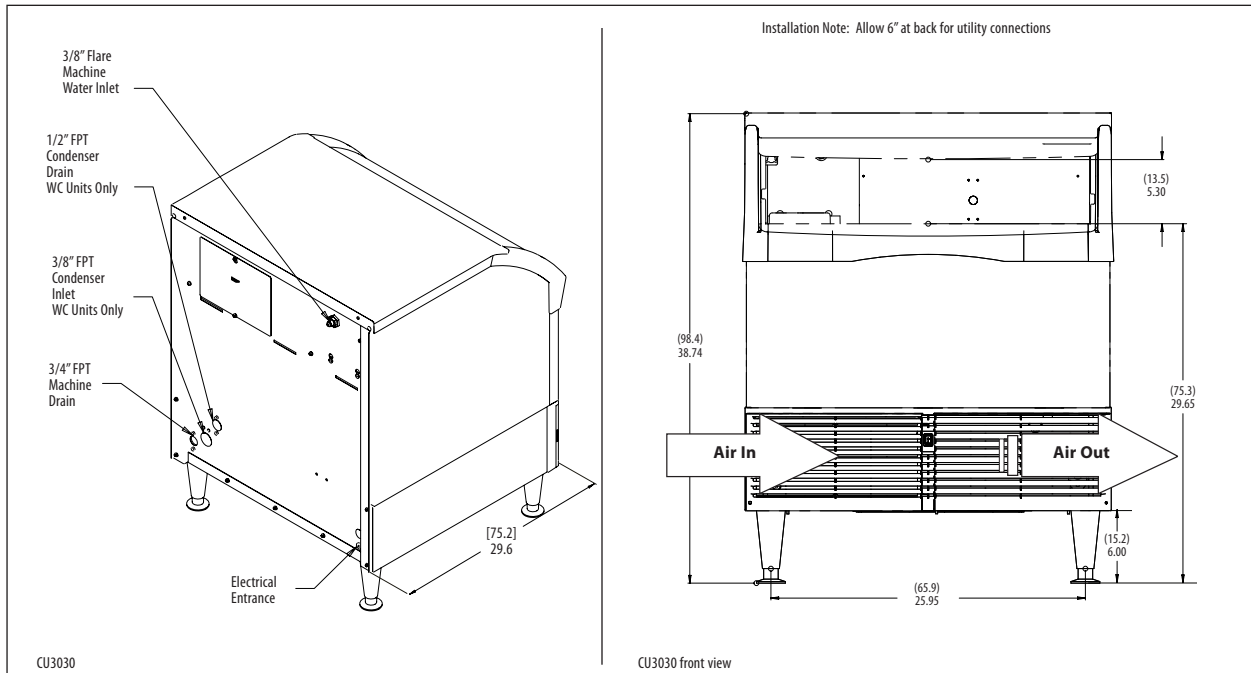
- 3 years parts and labor on all components.
- 5 years parts and labor on the evaporator.
- 5 years parts on the compressor and condenser.

Warranty valid in North, South & Central America. Contact factory for warranty in other regions.

Scotsman®

The Smart Choice in Ice.™

CU3030 – 300 lb Self-contained Ice Machine



Specifications

| Model Number* Cube Size: medium or small | Condenser Unit | Storage lb/kg | Basic Electrical Volts/Hz/Phase | Max. Fuse Size or HACR Circuit Breaker (amps) | Circuit Wires | Min. Circuit Ampacity | Energy Consumption kWh/100 lb (45.4 kg) 90°F(32°C)/70°F(21°C) | Water Usage Gallons/100 lb (liters/45 kg) | |
|---|----------------|---------------|---------------------------------|---|---------------|-----------------------|--|---|---------------------------------|
| | | | | | | | | Potable 90°F(32°C)/70°F(21°C) | Condenser 90°F(32°C)/70°F(21°C) |
| CU3030MA-1A | Air | 110/50 | 115/60/1 | 15 | 2 | Cord | 8.5 | 18.0/68.2 | - |
| CU3030MW-1A | Water | 110/50 | 115/60/1 | 15 | 2 | Cord | 5.5 | 18.0/68.2 | 180/682 |
| CU3030SA-1A | Air | 110/50 | 115/60/1 | 15 | 2 | Cord | 8.5 | 18.0/68.2 | - |
| CU3030SW-1A | Water | 110/50 | 115/60/1 | 15 | 2 | Cord | 5.5 | 18.0/68.2 | 180/682 |

* 208-230/60/1 Voltage - Substitute "-32" in place of "-1", i.e. CU3030SA-32A.

All Models

Dimensions (W x D x H):
Unit:
30" x 30" x 33"
(76.2 x 70.0 x 83.8 cm)

Shipping Carton:
32" x 33" x 37"
(81.3 x 83.8 x 94.0 cm)

Shipping Weight:
200 lb / 91 kg

BTUs per hour:
5,200

Accessories

| Model Number | Description |
|--------------|---|
| KLP8S | Kit 6 inch legs SS |
| KPUFM30 | Kit Prodigy undercounter floor mount 30 inch for CU3030 |

* Scotsman recommends all ice machines have water filtration. See Scotsman Sanitation Matrix for details.

Operating Requirements

| | Minimum | Maximum |
|--------------------|-------------------|-------------------|
| Air Temperatures | 50°F (10°C) | 100°F (38°C) |
| Water Temperatures | 40°F (4.4°C) | 100°F (38°C) |
| Remote Cond. Temps | -20°F (-29°C) | 120°F (49°C) |
| Water Pressures | 20 PSIG (1.4 bar) | 80 PSIG (5.5 bar) |
| Electrical Voltage | -10% | +10% |

Specifications and design are subject to change without notice.

Scotsman Ice Systems
775 Corporate Woods Parkway
Vernon Hills, IL 60061

1-800-SCOTSMAN
Fax: 847-913-9844
E-mail: customer.service@scotsman-ice.com

www.scotsman-ice.com