

# SIMPLICITY™ BUBBLER® DOUBLE BOWL

Project                      Date                      Models **CS-2D-16, CS-2D-16-S,  
CS-2D-22, CS-2D-22-S**                      Item#                      Quantity



model CS-2D-16

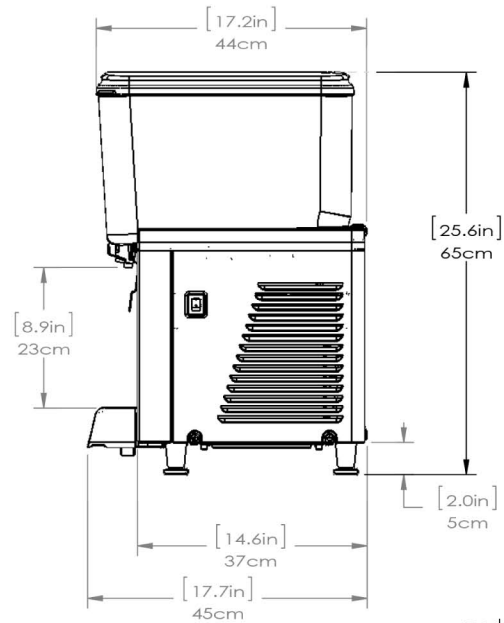
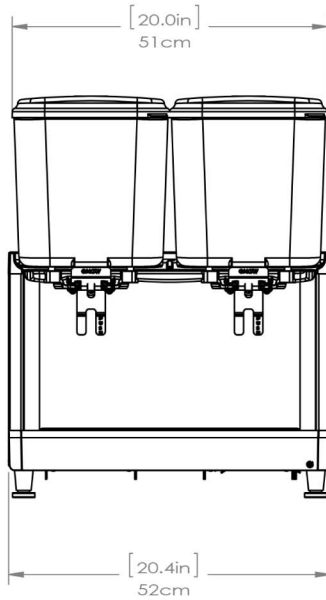
## Features

- Pre-mix dispenser with stainless steel base and clear plastic bowls.
- Spray or Agitation model available.
- Agitation function for fresh juices, coffees, or teas with minimal foaming system.
- Spray function attracts more customers with dynamic moving product.
- New easy-off bowl release system for faster and easier assembly and disassembly.
- Compact size of 20.4" (52 cm) wide saves valuable counter space.
- Can be placed side by side, due to air intake from bottom and exhaust to back.
- Two flavors dispensed with 4.75 gallon (18 L) easy-clean bowls with 9" (23 cm) cup clearance.
- User friendly design enables machine to dispense product till the very last drop.
- Less wear, providing longer lifetime of parts.
- Fewer removable parts to simplify cleaning and reduce maintenance.
- Refrigeration: 1/10 HP

# Models & Dimensions



## Simplicity™ Bubbler® Double Bowl



model CS-2D represented

## Specifications

Model	Description	Electrical	Product Dimensions (H x W X D)	Ship Weight Two boxes
<b>CS-2D-16</b> (231-00321)	(2) 4.75 gallon (18 L) bowls, agitator model.	115V / 60 Hz / 8.5A	25.5" x 20" x 17.7" (65 cm x 52 cm x 45 cm)	Total: 110 lbs. (50 kg) Base: 73 lbs. (33 kg) Bowl: 38 lbs. (17 kg)
<b>CS-2D-16-S</b> (231-00325)	(2) 4.75 gallon (18 L) bowls, spray model.	115V / 60 Hz / 8.5A	25.5" x 20" x 17.7" (65 cm x 52 cm x 45 cm)	Total: 110 lbs. (50 kg) Base: 73 lbs. (33 kg) Bowl: 38 lbs. (17 kg)
<b>CS-2D-22</b> (231-00305)	(2) 4.75 gallon (18 L) bowls, agitator model.	230V / 50/60 Hz / 4.0A	25.5" x 20" x 17.7" (65 cm x 52 cm x 45 cm)	Total: 110 lbs. (50 kg) Base: 73 lbs. (33 kg) Bowl: 38 lbs. (17 kg)
<b>CS-2D-22-S</b> (231-00313)	(2) 4.75 gallon (18 L) bowls, spray model.	230V / 50/60 Hz / 4.0A	25.5" x 20" x 17.7" (65 cm x 52 cm x 45 cm)	Total: 110 lbs. (50 kg) Base: 73 lbs. (33 kg) Bowl: 38 lbs. (17 kg)

## Options

**Condenser Filter (210-00118)** - Protect your condenser with a simple and easy to clean filter

**Merchandiser Kit for Double Bowl Models (231-00293)** - Attract more customers to unit with extra graphics

**BPA-Free Bowl 18 L (231-00010T)** - Dishwasher safe

**BPA-Free Bowl, Cover 18 L (210-00126T)** - Dishwasher safe

**BPA-Free Cover, Pump (210-00128T)** - Dishwasher safe

**Liquid Autofill Control Box (250-00524)** - Not for use with RO water systems

**Pre-drilled Holes (90380)** - Drilling charge per bowl



GMCW™ 4003 Collins Lane, Louisville, KY 40245 USA