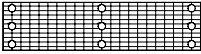


# ASSEMBLY INSTRUCTIONS

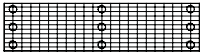
## SM667203W

### Components:

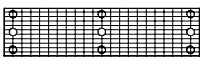
#### Panels:



(2) Floor Panels  
(open hole sockets)



(1) 1st Level  
(closed hole sockets)



(2) 2nd and 3rd Levels  
(open center  
hole sockets)

#### Legs:

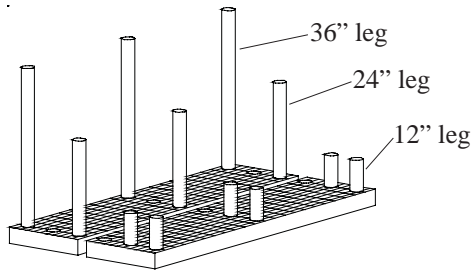
(12) - 12"

(3) - 24"

(3) - 36"

(6) - 72"

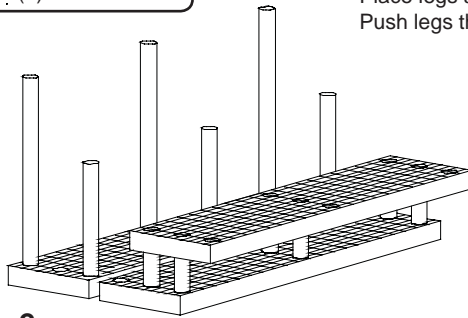
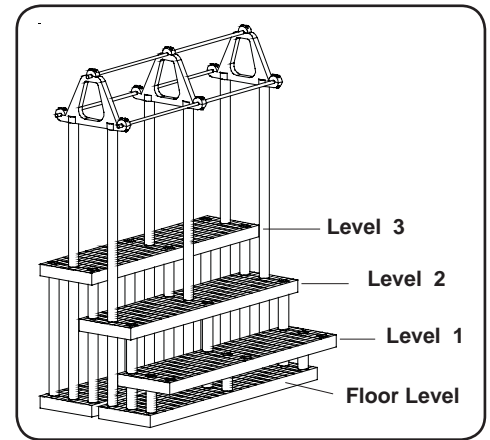
### Oil All Sockets Before Assembly



### Step 1 Floor Level

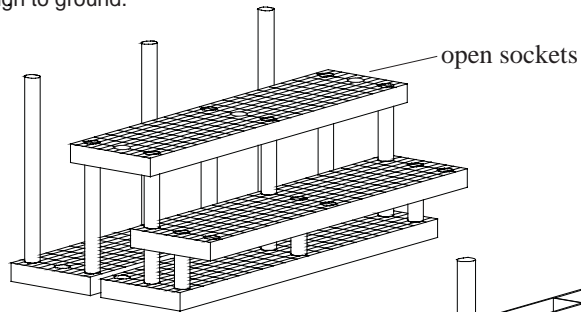
Place legs as shown.  
Push legs through to ground.

### Fully Assembled



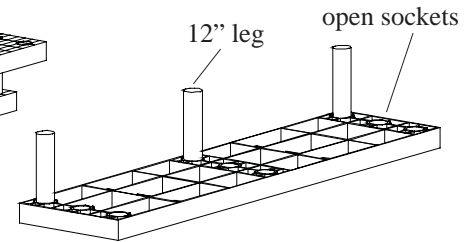
### Step 2 Level 1

Position the Level 1 Panel on 12" legs  
overhanging outside edge as shown.



### Step 3 Level 2

- Invert Level 2 panel and place  
(4) 12" legs in outside sockets.
- Position panel on 24" legs  
while placing 12" legs on the Level 1 panel.  
Push panel down so that the 24" legs are  
seated in the sockets.



72" leg

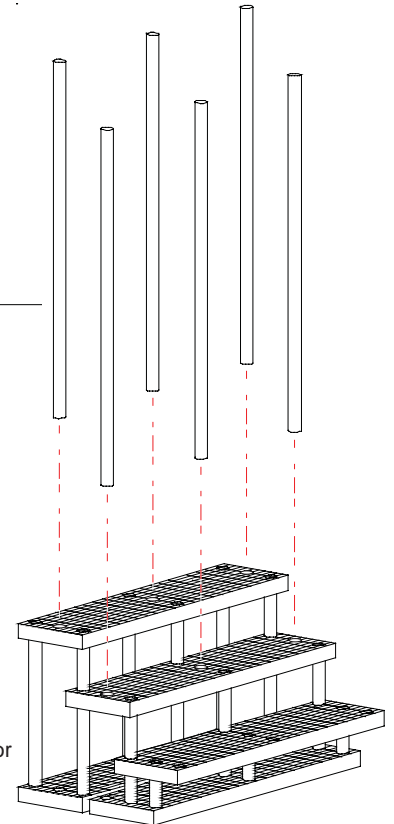
Oiling the sockets will  
make this step easier.

### Step 4 Level 3

- Invert Level 3 panel and place  
(4) 12" legs in outside corners.
- Position panel on 36" legs while placing 12"  
legs on the Level 2 panel. Push panel down so  
that the 36" legs are seated in the sockets.

### Step 5 Plant Hanger

Insert 72" legs into center open hole  
sockets of Levels 3 and 2. Slide legs all  
the way through open hole sockets in floor  
panels. (Make sure to push legs all the  
way down to the floor).

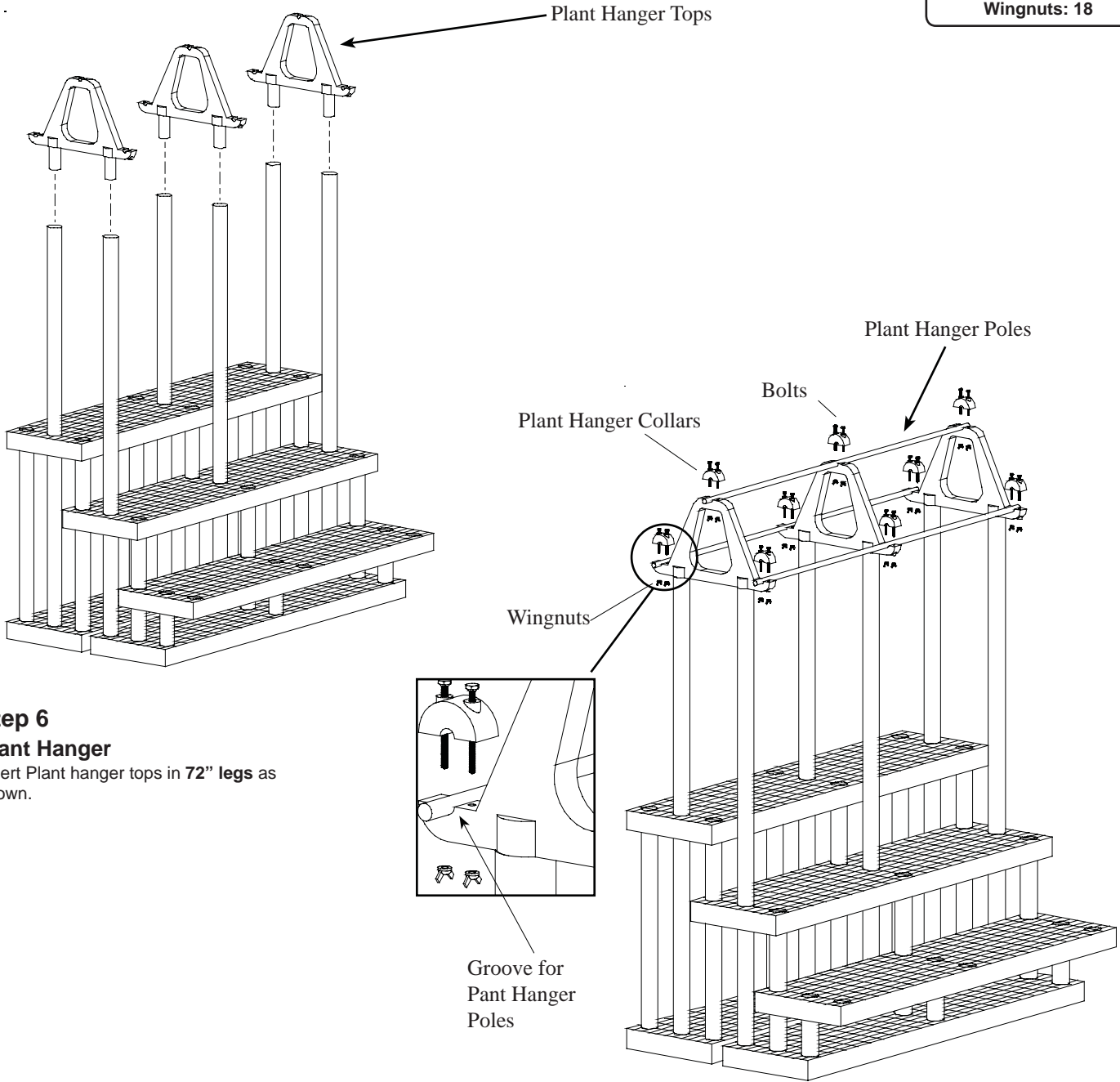


# ASSEMBLY INSTRUCTIONS

## SM667203W

Oil All Sockets  
Before Assembly

- |                         |
|-------------------------|
| <b>Components:</b>      |
| Plant Hanger Tops: 3    |
| Plant Hanger Collars: 9 |
| Plant Hanger Poles: 3   |
| Bolts: 18               |
| Wingnuts: 18            |



### Step 6 Plant Hanger

Insert Plant hanger tops in 72" legs as shown.

### Step 7 Plant Hanger

Next, place 63" plant hanger poles into small groove in plant hanger top. Place plant hanger collars over poles and fasten down with bolts and wingnuts.