



T&S BRASS AND BRONZE WORKS, INC.

Model No.

B-0107-J

Item No.

This Space for Architect/Engineer Approval

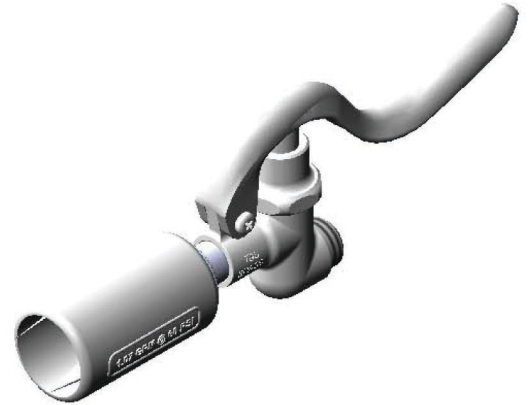
Job Name _____ Date _____

Model Specified _____ Quantity _____

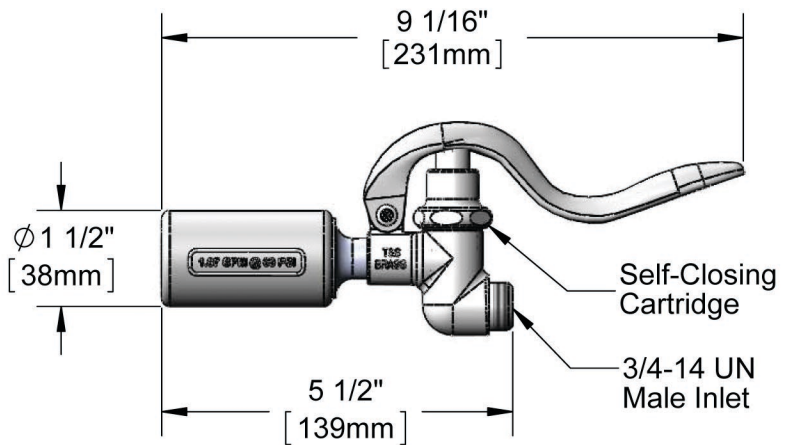
Customer/Wholesaler _____

Contractor _____

Architect/Engineer _____



Hose Washer & Hold Down Ring (Included)



Flow Rate: 1.07 GPM (4.1 Lpm) @ 60 PSI
Spray Force: 7.2 Ozf (204 Gramf)

Product Specifications:
Self-Closing Pre-Rinse Spray Valve w/ 1.07 GPM Spray Nozzle

Product Compliance:
ASME A112.18.1 / CSA B125.1
NSF 61 - Section 9
NSF 372 (Low Lead Content)
EPA 2005 (PRSV)
EPA WaterSense (PRSV)

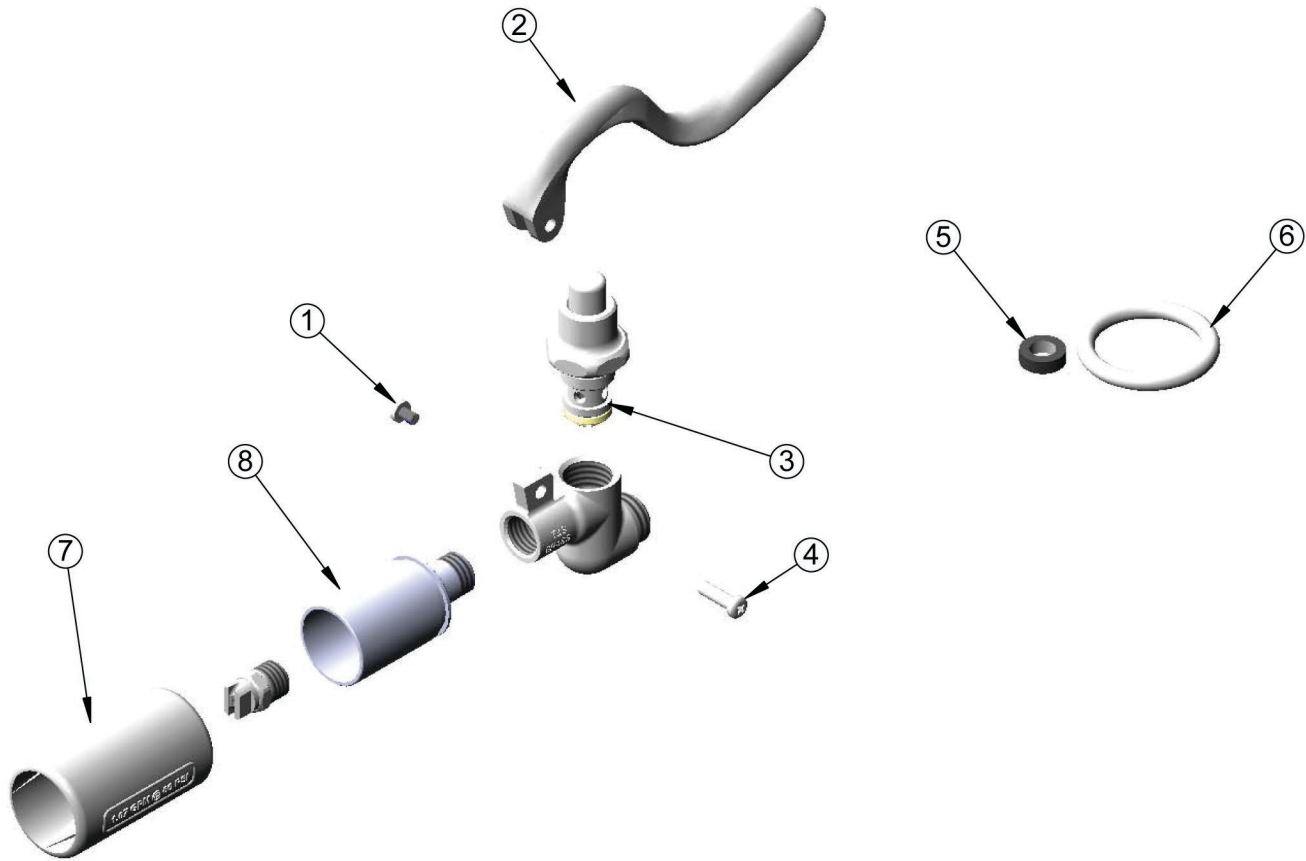


T&S BRASS AND BRONZE WORKS, INC.

Model No.
B-0107-J

Item No.

ITEM NO.	SALES NO.	DESCRIPTION
1	003199-45	Spray Valve Handle Screw
2	001120-45	Spray Valve Handle
3	002856-40	Spray Valve Bonnet
4	003198-45	Spray Valve Handle Nut
5	010476-45	#27 Washer
6	000907-45	Ring, Spray Valve Hold Down
7	018292-45	Shield, Low Flow 1.07 GPM
8	003128-25	Low Flow Nozzle Holder



Product Specifications:
Self-Closing Pre-Rinse Spray Valve w/ 1.07 GPM Spray Nozzle

Product Compliance:
ASME A112.18.1 / CSA B125.1
NSF 61 - Section 9
NSF 372 (Low Lead Content)
EPA Act 2005 (PRSV)
EPA WaterSense (PRSV)