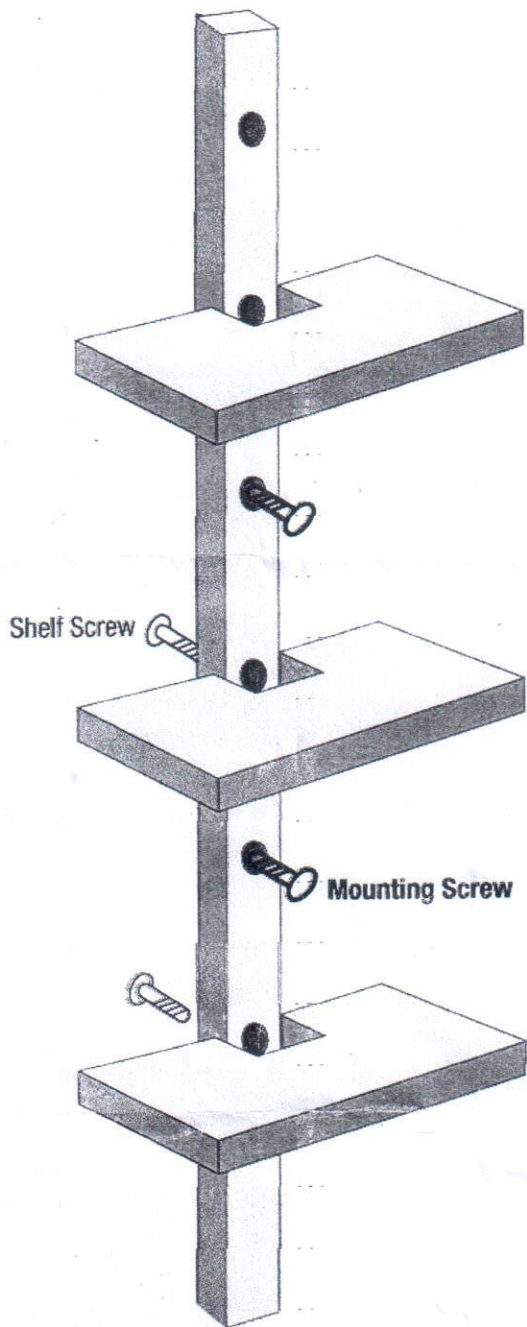


Takara™ Column Shelf Instructions



1. Shelves are attached to the upright with the shelf screws (shown in white).

2. Each shelf will install in one of the multiple holes along the length of the column.

3. Mount the assembled unit to the wall using the mounting screws (shown in black).