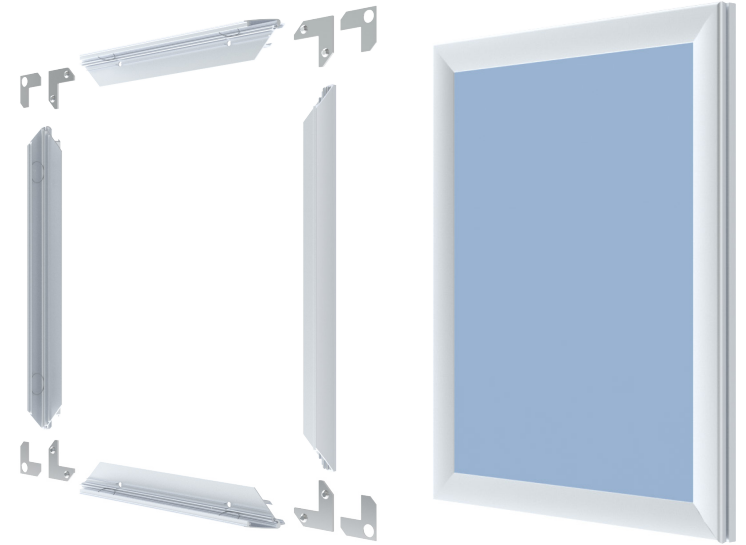
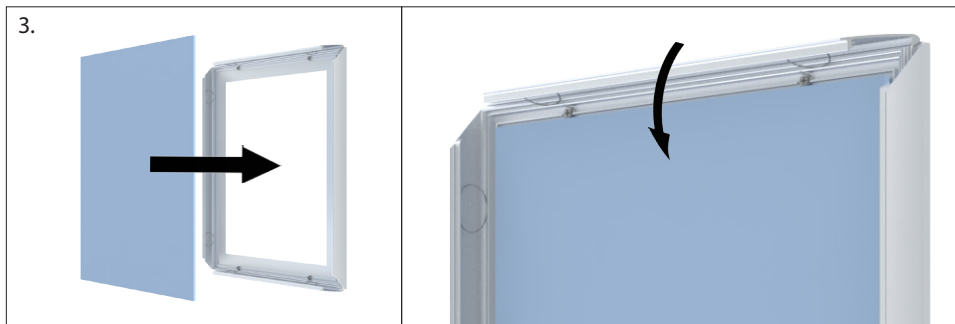
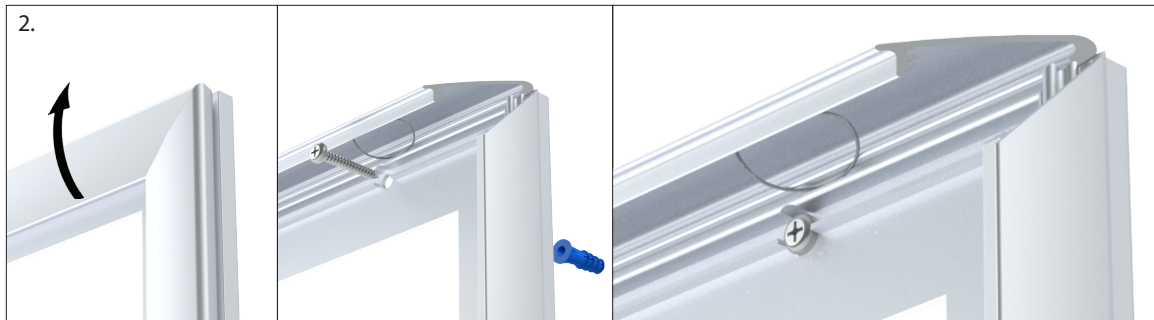
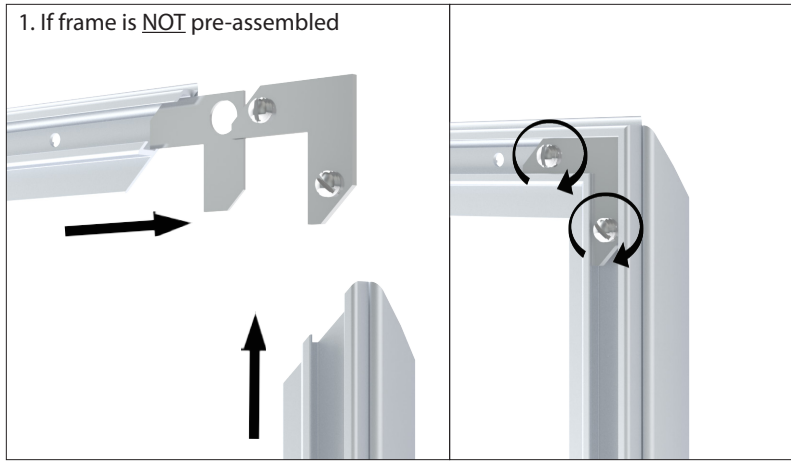


SupraSlim SnapFrame™ - SUP Series

1. If frame is NOT pre-assembled: Connect frame sides using corner brackets with set screws provided. Corner bracket with screws should be on top, bracket without screws should be below. Once corner brackets are in place, tighten screws.
2. Open the frame, then mount the frame to the wall using the pre-drilled holes on the frame.
3. Insert the graphic and snap the frame sides closed to secure the graphic.



SUP01 shown