

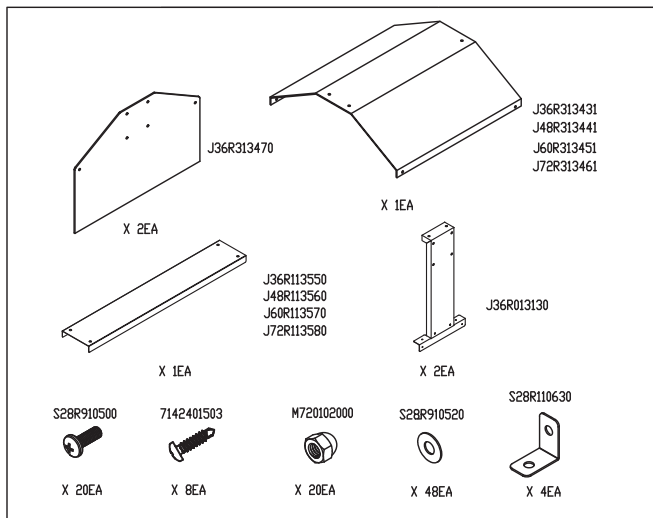
Project :	
Model # :	
Item # :	Qty :
Available W/H :	
Approval :	

Sneeze Guards for JBT Series

Model : SNZ-



SNZ-60

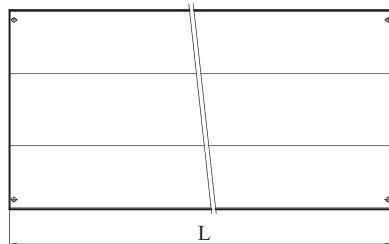


FEATURES & BENEFITS

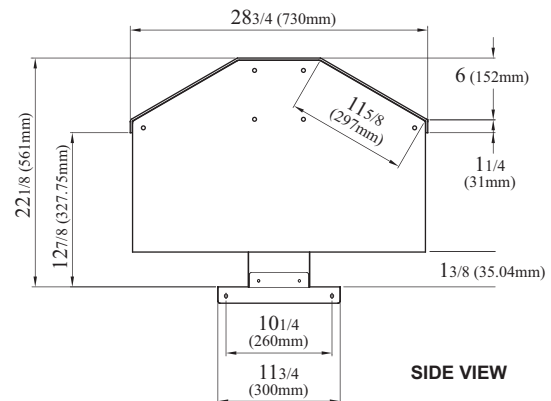
- Double sided sneeze guard keeps the food safe and protects the food area from germs and foreign objects
- A transparent polycarbonate cover is durable, less likely to get scratches, and break resistant. 304 stainless steel two side stands are easy to clean and anti-corrosive
- The package includes support brackets and mounting hardware (except tools)

PLAN VIEW

(unit : inch)



COVER PLAN VIEW

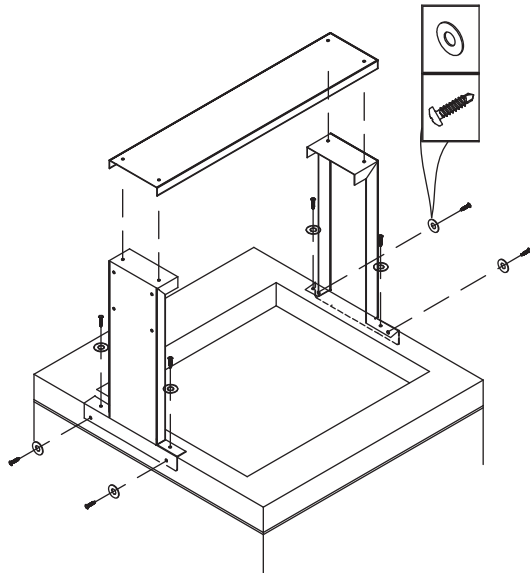


SIDE VIEW

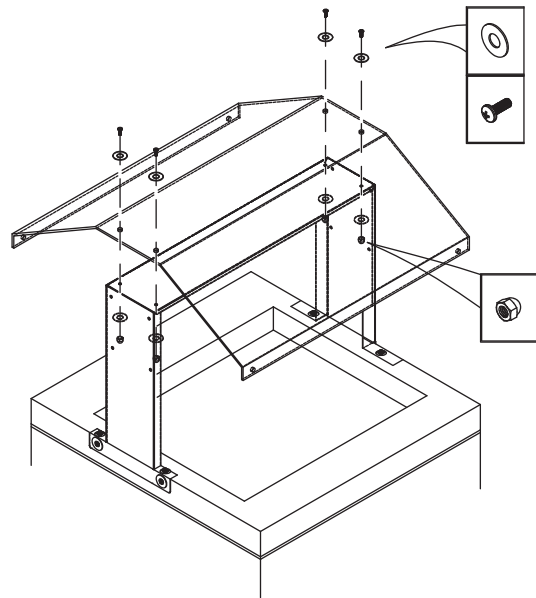
Model	L (in.)	Net Weight (lbs.)
SNZ-36	35 5/8 (906mm)	11
SNZ-48	47 1/2 (1206mm)	13.5
SNZ-60	59 3/8 (1506mm)	16
SNZ-72	71 1/8 (1806mm)	18.4

Sneeze Guards for JBT Series

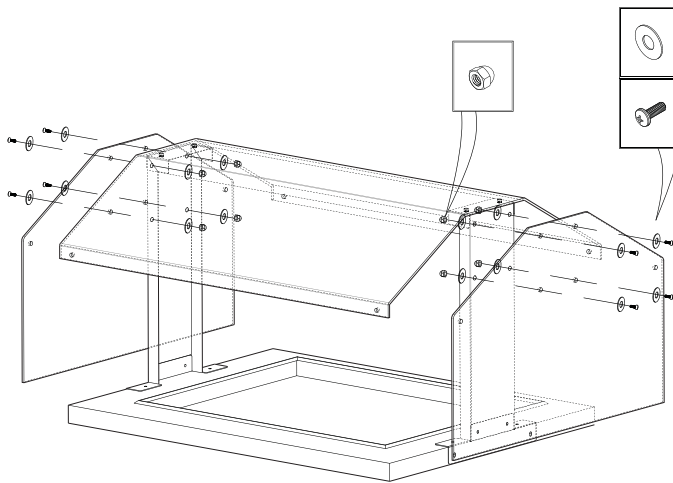
Installation Instruction



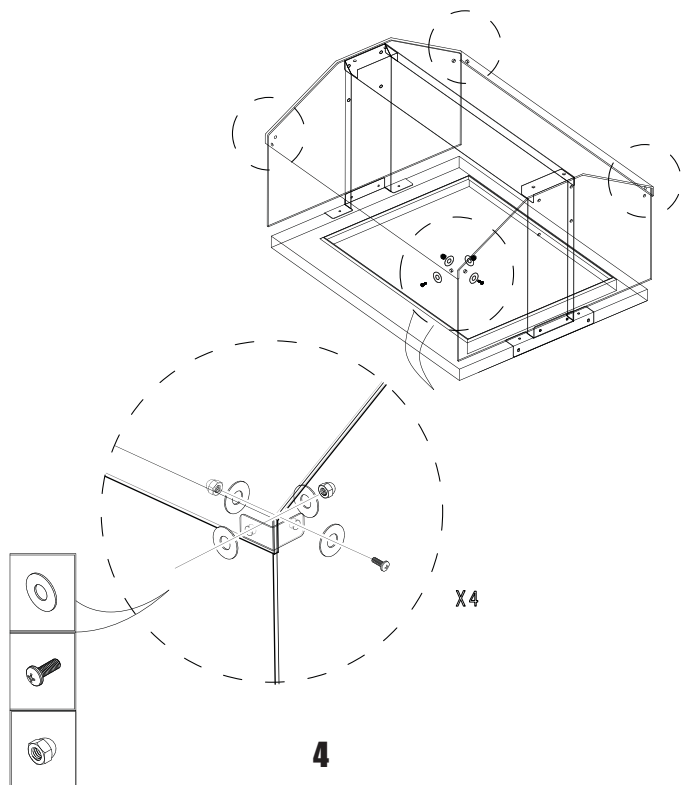
1



2



3



4

Ver.20180530

- Turbo Air : 800-627-0032
- GK : 800-500-3519
- Warranty : 800-381-7770
- AC : 888-900-1002