

**REFRIGERATOR MANUFACTURER**  
**Turbo air**  
 more durable, efficient, beautiful

4184 E. Conant St.  
 Long Beach, CA 90808  
 Tel. 310-900-1000  
 Fax. 310-900-1077  
[www.turboairinc.com](http://www.turboairinc.com)

|                 |       |
|-----------------|-------|
| Project :       |       |
| Model # :       |       |
| Item # :        | Qty : |
| Available W/H : |       |
| Approval :      |       |

## Solid Door Refrigerator

Reach-In Top Mount  
**M3 Series**

**Model : M3R47-2-N**

### FEATURES & BENEFITS

#### Self-Cleaning Condenser

The accumulation of dust in the condenser can cause the failure or breakdown of refrigerators. Refrigerators run normally until they reach a certain level of accumulation. At some point, when they are over the limit, their performance drops quickly resulting in damage to, or disposal of the stored products inside. The Self-Cleaning Condenser device keeps the condenser clean and prevents system failure by automatically brushing daily.

#### Digital temperature control & monitor system

- Keep food products safe by maintaining constant temperatures.
- Alarms that sound when doors are not sealed shut; protect against food spoilage that originates from cold air leaks.
- Early warning alarm program detects issues before malfunction occurs.
- Digital display allows for easy monitoring.
- Programs interpret the condition of refrigeration systems by self-diagnosis.
- Rapid cool-down function (Turbo cooling).
- Automatic evaporator fan motor delays.

#### Hydrocarbon refrigerants (R-290)

With innovative and eco-friendly technology, Turbo Air brings you hydrocarbon refrigerators designed to meet DOE's Energy Conservation Standards in 2017 and to use EPA's SNAP Program approved HC refrigerants. Hydrocarbon refrigerants do not deplete the ozone layer and have very low contribution to global warming (ODP-0, GWP-3).

#### Hot gas condensate system

Through Turbo Air's creative innovation, the condensate system surfaces have been specially treated to resist corrosion. This not only increases efficiency without the risk of refrigerant leakage from corrosion, but also thoroughly prevents the overflow of condensate water.

#### Stainless steel cabinet construction

The Turbo Air M3 refrigerator model boasts a stainless steel exterior (galvanized steel top, bottom and back) and AL interior with stainless steel floor. It guarantees the utmost in cleanliness and long product life. Sharp corners and edges have been rounded to reduce the risk of injury. The M3 adds a touch of style to the most refined setting.

#### Door pressure release device

Pressure relief doors are designed to eliminate vacuum pressure and allow easy, instant door opening.

#### LED interior lighting

#### Adjustable, heavy duty, PE (polyethylene) coated wire shelves

#### High-density polyurethane insulation

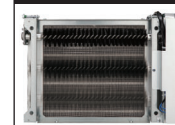
The entire cabinet structure and solid doors are foamed-in-place using high density, CFC free polyurethane insulation.

#### Top mount compressor



**Refrigerator holds 33°F ~ 38°F for the best in food preservation**

#### Patented Self-Cleaning Condenser



This product is equipped with a fine mesh filter to the front of the condenser to catch dust, and a rotating brush that moves up and down daily to remove excess buildup outward and away.



| Model     | Swing Door | CU./FT. | #of Shelves | HP  | AMPS | Crated Weight (lbs.) | L x D* x H † (inches)  |
|-----------|------------|---------|-------------|-----|------|----------------------|--|
| M3R47-2-N | 2          | 42.75   | 6           | 1/3 | 2.8  | 401                  | 51 <sup>3</sup> / <sub>4</sub> x 30 <sup>3</sup> / <sub>4</sub> x 78 |

# Solid Door Refrigerator

Reach-In Top Mount  
M3 Series

## Model : M3R47-2-N

| ELECTRICAL DATA            |                 |
|----------------------------|-----------------|
| Voltage                    | 115/60/1        |
| Plug Type                  | ① NEMA 5-15P    |
| Full Load Amperes          | 2.8             |
| Compressor HP              | 1/3             |
| Feed Wires with Ground     | 3               |
| Cord Length (ft.)          | 9               |
| Refrigerant                | R-290           |
| DIMENSIONAL DATA           |                 |
| # of Doors                 | 2               |
| # of Racks Accepted        | 2               |
| Net Capacity (cu. ft.)     | 42.75           |
| Ext. Length Overall (in.)  | 51 3/4 (1314mm) |
| Ext. Depth Overall (in.)*  | 30 3/4 (780mm)  |
| Ext. Height Overall (in.)† | 78 (1981mm)     |
| Int. Length Overall (in.)  | 47 3/4 (1213mm) |
| Int. Depth Overall (in.)   | 26 1/2 (675mm)  |
| Int. Height Overall (in.)  | 60 5/8 (1539mm) |
| Gross Weight (lbs.)        | 401             |
| # of Shelves               | 6               |
| Shelf Size (L x D) (in.)   | 23 x 23 1/2     |

Design and specifications subject to change without notice.  
Actual shipping weight may differ due to extra packing materials for product protection.  
\* Depth does not include 2" for rear condensate enclosure.  
† Height does not include 5" for caster height.

■ **WARRANTY : 3 Year Parts and Labor Warranty**  
**Additional 2 Year Warranty on Compressor**

### ■ STANDARD FEATURES

- Anti-corrosion coated evaporator
- Self-contained system
- Standard 4" dia. swivel casters with locks on the front set
- Door locks standard
- Magnetic door gaskets
- Solid and sturdy grille design

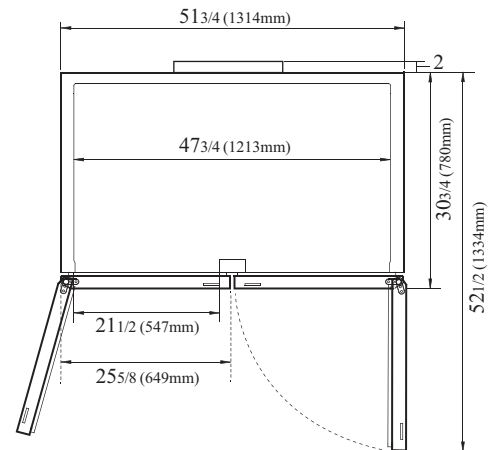
### ■ OPTIONAL ACCESSORIES :

- 5" caster, 1/2" diameter & 13 TPI: M726500100 (non-brake), M726500200 (w/ brake)
- 6" stainless steel leg: 30221M0600
- Additional PE coated wire shelf: G8F1800101
- Half door bun tray rack: TSP-2224 (each holds up to six 18"L x 26"D sheet pans)
- Full door bun tray rack: TSP-2250 (each holds up to fifteen 18"L x 26"D sheet pans)

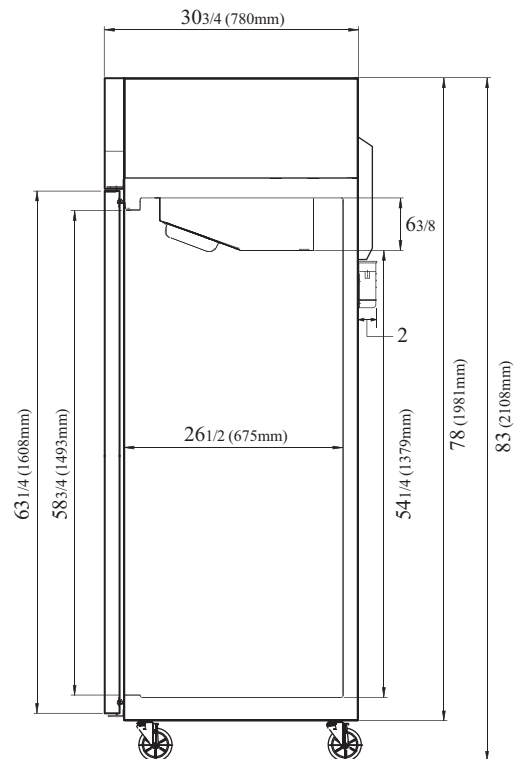
Ver.20181217

## PLAN VIEW

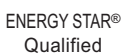
(unit : inch)



PLAN VIEW



SIDE VIEW



- Turbo Air : 800-627-0032
- GK : 800-500-3519
- Warranty : 800-381-7770
- AC : 888-900-1002

