

# 4" & 5" PATTY PRESS™

## BENCHTOP BURGER MOLD

HEAVY-DUTY COMMERCIAL USE

Make perfectly shaped patties every time with the Univex PattyPress™ burger mold. This sturdy, easily operated design quickly produces uniform hamburgers, crabcakes, fishcakes or veggie-burgers. Better still, even thickness ensures more uniform cooking from edge to center for a delectable result.

Simply load ground meat or mixture into the mold, then pull the ergonomically designed handle to activate the press. Presto! Another perfectly sized patty is ready in seconds.

Model 1404 molds up to 5 oz. into 4-inch diameter patties. Model 1405 molds up to 8 oz. into 5-inch diameter patties. Thickness is determined by the quantity placed in the press.

Made of polished, die-cast aluminum and stainless steel, the PattyPress is engineered for years of reliable service. For convenience in storing finished patties, an integral receptacle holds a stack of waxed paper or film inter-leaves. Your PattyPress unit comes with a supply of waxed paper dividers, and these are available in bulk from Univex.



- Replaces flimsy, awkward hand presses with a rugged, counter-top machine.
- Uniform patty size—choose 4-inch or 5-inch diameter model
- Uniform thickness for even cooking, better results
- Single-lever manual operation takes only seconds
- Rugged, die-cast aluminum and stainless steel construction
- Integral holder for paper or film divider leaves

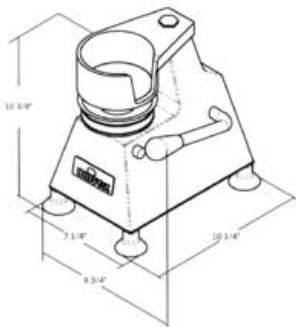
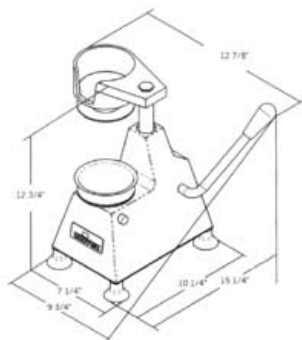


# 4" & 5" PATTY PRESS™

BENCHTOP BURGER MOLD

1404/1405

HEAVY-DUTY COMMERCIAL USE



NET WEIGHT: 11 lb. (5 kg)  
SHIPPING WEIGHT: 13 lb. (6 kg)  
BOX DIMENSIONS: 11" (280 mm) high  
10" (254 mm) wide  
10 1/2" (267 mm) deep

## SPECIFICATIONS

<b>FINISH</b>	Anodized aluminum and stainless steel
<b>PATTY SIZE</b>	MODEL 1404 4-inch (102 mm) diameter MODEL 1405 5-inch (127 mm) diameter
<b>SUPPLIED WITH</b>	1000 waxed paper dividers
<b>OPTIONAL SUPPLY</b>	Waxed paper dividers in bulk (5000 per case)

## EASY OPERATION



1. Push handle all the way back. Place ball of meat or mix on bottom press plate.



2. Press release button to lower press plate into forming dish. Pull handle for ward and apply light pressure.



3. Return handle to the rear. Press plate rises automatically for easy removal.

## WARRANTY

The Univex 1404 /1405 PattyPress™ Burger Mold is warranted by Univex Corporation against defects in materials for a period of one year from date of delivery if delivered to a destination in the United States. The unit must be returned to Univex for warranty repairs. Contact Univex Service Department to report any warranty claim. Univex shall not be liable for any consequential, compensatory, incidental or special damages. Damages incurred in transit or from installation error, accident, alteration or misuse are not covered. Transit damages should be reported to the carrier immediately.

If the 1404/1405 PattyPress is delivered to a country other than the United States, it is warranted by Univex's authorized distributor. Contact your distributor directly to report any warranty claims outside of the United States or Canada.

**univex**  
SINCE 1948

UNIVEX CORPORATION ■ 3 Old Rockingham Road ■ Salem, NH 03079-2140

Tel 603-893-6191 ■ Fax 603-893-1249

TOLL-FREE ORDERING FAX 1-800-356-5614

[www.univexcorp.com](http://www.univexcorp.com)

September 1999  
Printed in USA