



Outperform every day.™

Project:

Item Number:

Quantity:

COUNTERTOP AND FLOOR MIXERS



40756



40758

Mixers

DESCRIPTION

Vollrath's line of mixers are a standard-setting advance in value: all the features, all the workhorse durability, and all the Vollrath service, reliability, and reputation in one tough range of mixers, ready to keep you mixing strong, serving long.

MODELS

- 40755 MIX1007 Countertop Mixer – 7 Quart with Guard
- 40756 MIX1010 Countertop Mixer – 10 Quart with Guard
- 40757 MIX1020 Bench Mixer – 20 Quart with Guard
- 40758 MIX1030 Floor Mixer – 30 Quart with Guard
- 40759 MIX1040 Floor Mixer – 40 Quart with Guard
- 40760 MIX1060 Floor Mixer – 60 Quart with Guard

FEATURES

Countertop Mixers, 7 and 10 Quart

- Commercial grade table model
- Five-speed direct drive transmission
- Digital control panel to make easy speed shifts while unit is running
- 30 minute timer stops the mixer when timer ends
- Compact and lighter weight design for smaller footprint, easier cleaning, and portability
- Non-skid rubber base
- 6 ft. (1.8 m) cord with plug

Bench / Floor Mixers, 20 through 60 Quart

- Three speed gear transmission
- Safety cut-switch automatically turns the unit off if gears are changed without stopping the mixer
- 30 minute timer stops the mixer when timer ends
- 60 quart model includes bowl truck for convenient bowl transport
- Meat Grinder, Vegetable Slicer, reducer kits, and other accessories available
- Number 12 hub accommodates Vollrath brand meat grinder and vegetable slicer attachments for flexibility between grinding, slicing, and mixing. **Note: Non-Vollrath attachments are not recommended. They will not work properly and will void the warranty.**
- Comes standard with: dough hook, wire whisk, spatula, stainless steel mixing bowl, and safety guard
- 6 ft. (1.8 m) cord with plug

Agency Listings



Due to continued product improvement, please consult www.vollrath.com for current product specifications.

WARRANTY: Vollrath Floor Mixers come with a 5 year warranty on the belt. All models shown come with Vollrath's standard one-year warranty against defects in materials and workmanship. For full warranty details, please refer to the Vollrath Equipment and Smallwares Catalog.

Approvals

Date

--	--



Outperform every day.™
www.vollrath.com

The Vollrath Company, L.L.C.
1236 North 18th Street
Sheboygan, WI 53081-3201 U.S.A.
Customer Service: 800.628.0830
Canada Customer Service: 800.695.8560
Main Fax: 800.752.5620 or 920.459.6573

Technical Services: 800.628.0832
Technical Services Fax: 920.459.5462

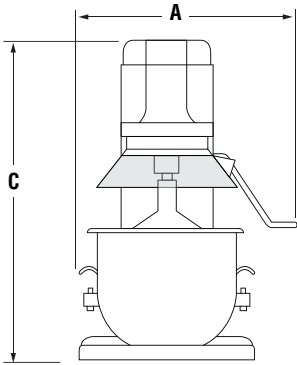
COUNTERTOP AND FLOOR MIXERS

MODELS	40755 MIX1007 Countertop Mixer – 7 Quart with Guard	40758 MIX1030 Floor Mixer – 30 Quart with Guard
	40756 MIX1010 Countertop Mixer – 10 Quart with Guard	40759 MIX1040 Floor Mixer – 40 Quart with Guard
	40757 MIX1020 Bench Mixer – 20 Quart with Guard	40760 MIX1060 Floor Mixer – 60 Quart with Guard

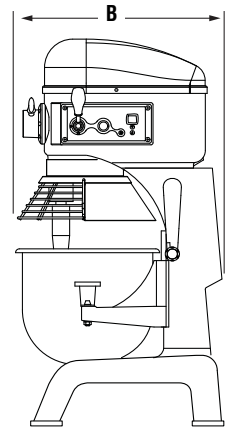
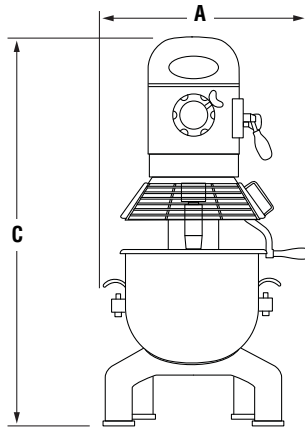
DIMENSIONS

Dimensions shown in inches (cm).

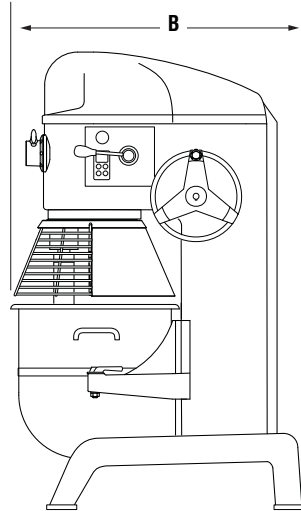
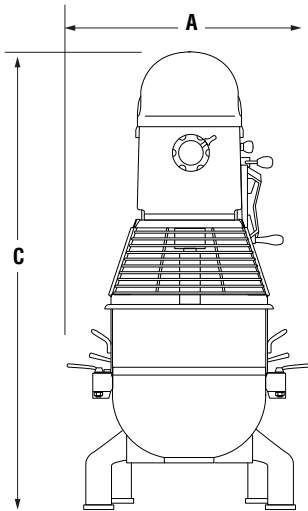
7/10 Quart Mixer



20/30/40 Quart Mixer (20 Quart Mixer Shown)



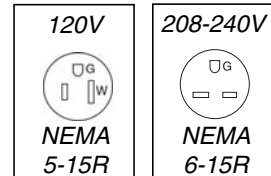
60 Quart Mixer



SPECIFICATIONS

Item	Dimensions			Transmission	HP	Voltage	kW	Amps	Plug
	(A) Width	(B) Depth	(C) Height						
40755	13 1/8 (33.3)	17 3/4 (45.1)	20 1/4 (51.4)	5 speed	1/3	110	.65	6	NEMA 5-15P
40756	13 1/16 (33.2)	17 11/16 (44.9)	21 3/16 (53.8)	5 speed	1/3	110	.65	6	NEMA 5-15P
40757	20 3/8 (51.8)	20 3/8 (51.8)	35 5/8 (90.5)	3 speed	1/2	110	.37	8	NEMA 5-15P
40758	25 (63.5)	24 1/2 (62.2)	47 7/8 (121.6)	3 speed	1	110	.75	16	NEMA 5-15P
40759	26 1/2 (67.3)	26 9/16 (67.5)	47 1/8 (119.7)	3 speed	1 1/2	220	1.5	12	NEMA 6-15P
40760	27 3/8 (69.5)	30 (76.2)	55 13/16 (141.5)	3 speed	2	220	1.5	16	NEMA 6-15P

Receptacles



Outperform every day.™

www.vollrath.com

The Vollrath Company, L.L.C.
 1236 North 18th Street
 Sheboygan, WI 53081-3201 U.S.A.
 Customer Service: 800.628.0830
 Canada Customer Service: 800.695.8560
 Main Fax: 800.752.5620 or 920.459.6573

Technical Services: 800.628.0832
 Technical Services Fax: 920.459.5462