



Outperform every day.™

Project:

Item Number:

Quantity:

Heavy-Duty Electric Slicer

The Vollrath Company, L.L.C.

HEAVY-DUTY ELECTRIC SLICER



Heavy-Duty Electric Slicer

ITEMS

| Item No. | Model No. | Description |
|----------|-----------|----------------------------|
| 40952 | SLP300/S | 12" Heavy-Duty Slicer, 35° |

FEATURES

- 1/2 peak HP heavy-duty motor for continuous use and higher torque for cheese slicing
- Expanded 1" (2.5 cm) slice thickness
- Proprietary non-stick coating reduces drag, and makes your slicer easier to clean
- Built-in sharpener
- 35 degree gravity feed maximizes productivity by reducing operator fatigue and discomfort
- Safety hand guard mounted to carriage
- Safety cover under motor
- Hard coated anodized aluminum body
- Non-marking, non-skid rubber feet
- Belt driven. Durable, long-wearing belt provides reliable service.
- Solid aluminum slice adjustment knob for precise and consistent slice thickness
- Removable carriage for easy cleaning
- Large receiving tray
- Safe blade Removal System
- Permanent blade rim guard for safety
- 6'4" (1.9 m) cord with plug

DESCRIPTION

The Vollrath Heavy-Duty Electric Slicer is ideal for slicing meats and cheeses in higher-volume operations such as large restaurants.

Agency Listings



Certified to NSF/ANSI 8 (Pending)

WARRANTY: All models shown come with Vollrath's standard one year warranty against defects in materials and workmanship. The warranty period on the belt is five years.

| Approvals | Date |
|-----------|------|
| | |



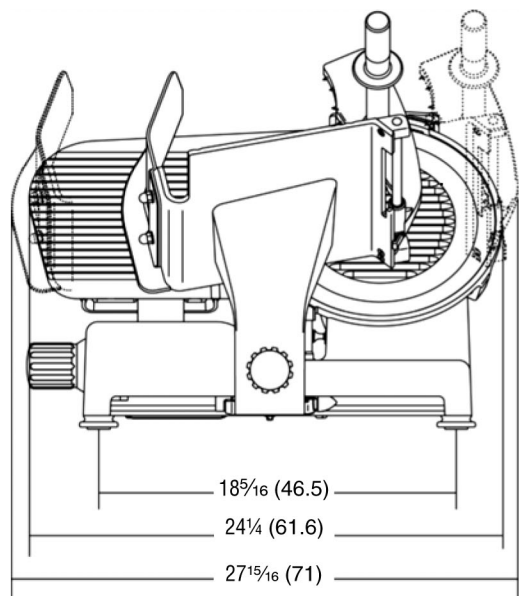
Outperform every day.™

Canada Customer Service: 800.699.8888

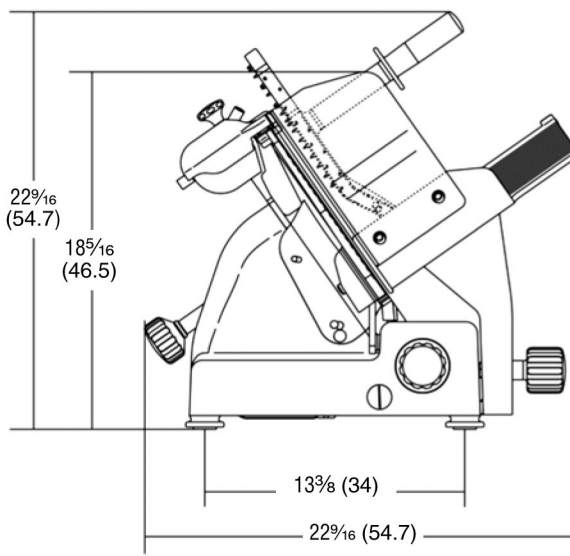
40952

HEAVY-DUTY ELECTRIC SLICER

DIMENSIONS (Shown in inches (cm))



Side View



Front View

SPECIFICATIONS

| Item No. | Description | Peak HP | Voltage | Amps | Hertz | Weight Lbs (Kg) | Plug |
|----------|----------------------------|---------|---------|------|-------|-----------------|------------|
| 40952 | 12" Heavy-Duty Slicer, 35° | 1/2 | 120 | 2 | 60 | 77 (35) | NEMA 5-15P |

Receptacle

