



Outperform every day.™

Project:

Item Number:

Quantity:

# COUNTERTOP INDUCTION WOK RANGE

## ITEMS

6958301 Induction Wok Range with Carbon Steel Wok Pan



Countertop Induction Wok Range

## FEATURES

- G4 4 IGBT engine
- 100 power settings for precise cooking control
- Turbo button reaches max power in seconds
- Continuous duty induction circuitry for non-stop cooking
- Bright digital display is easy to clean
- Standard size impact resistant induction ceramic bowl works with most 14" (35.6 cm) carbon steel or induction-ready stainless steel wok pans
- Includes Vollrath 14" carbon steel wok, item number 58814
- Rubber feet to prevent slipping
- Units come with 6' cord and plug
- One year parts and labor warranty

## IMPORTANT

- Do not install in areas where other equipment can exhaust directly into the Induction Wok.
- Requires a minimum clearance of 4" (10 cm) of space between each side of the Induction Wok and any surrounding surface.
- Requires a minimum clearance under the Induction Wok of a distance equal to the height of the feet of the Induction Wok. Unit draws air from below. It must not be placed on a soft surface that could restrict airflow to the bottom of the unit.
- The maximum intake temperature must not exceed 110°F (43°C). Temperatures are measured in ambient air while all appliances in the kitchen are in operation.

## DESCRIPTION

Vollrath's Countertop Induction Wok Range, with included carbon steel wok pan, uses the high efficiency of induction to provide gas-like performance in a safe, flameless, easy-to-use, electric appliance for commercial use.

It has the power to heat to the true wok temperatures commercial kitchens require. A unique, industrial design case looks great as a countertop range, or can be installed as a drop-in range.

The Countertop Induction Wok Range is equipped with a variety of safety features including:

- Over-heat protection
- Small-article detection
- Pan auto-detection function
- Empty-pan shut-off

## Agency Certifications



This device complies with Part 18 FCC Rules.

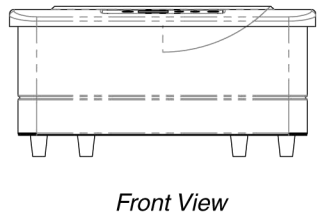
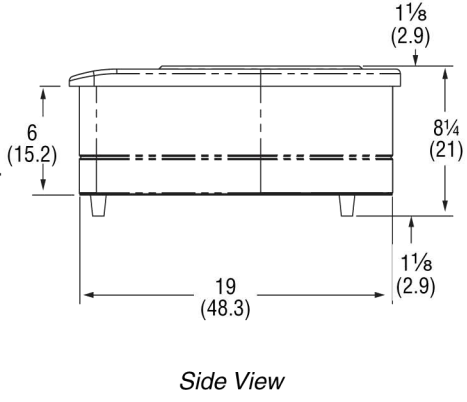
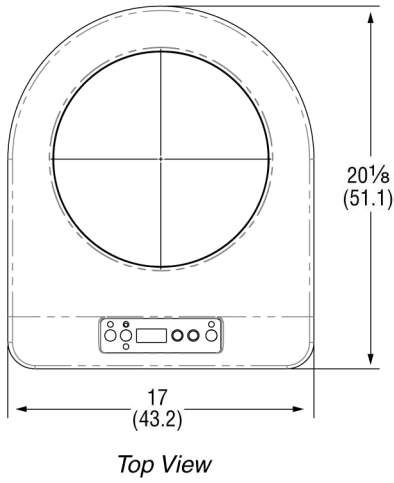
**WARRANTY:** All models shown come with Vollrath's standard warranty against defects in materials and workmanship.

Approvals	Date



# COUNTERTOP INDUCTION WOK RANGE

## DIMENSIONS (Shown in inches (cm))



## SPECIFICATIONS

Item No.	Volts	HZ	kW	Amps	Plug	Weight LB (KG)	Shipping Dimensions IN (CM)	Shipping Weight LB (KG)
6958301	208-240	50/60	3.0-3.5	14.6	NEMA 6-20P	34.8 (15.8)	20 <sup>3</sup> / <sub>4</sub> x 23 <sup>3</sup> / <sub>4</sub> x 17 (52.7 x 60.3 x 43.2)	44.2 (20)

**Receptacle**

