

VMF061EV2

Start Prod 01/09/2019 End Prod

VIEW 10 : Unit assembly

serial number start :

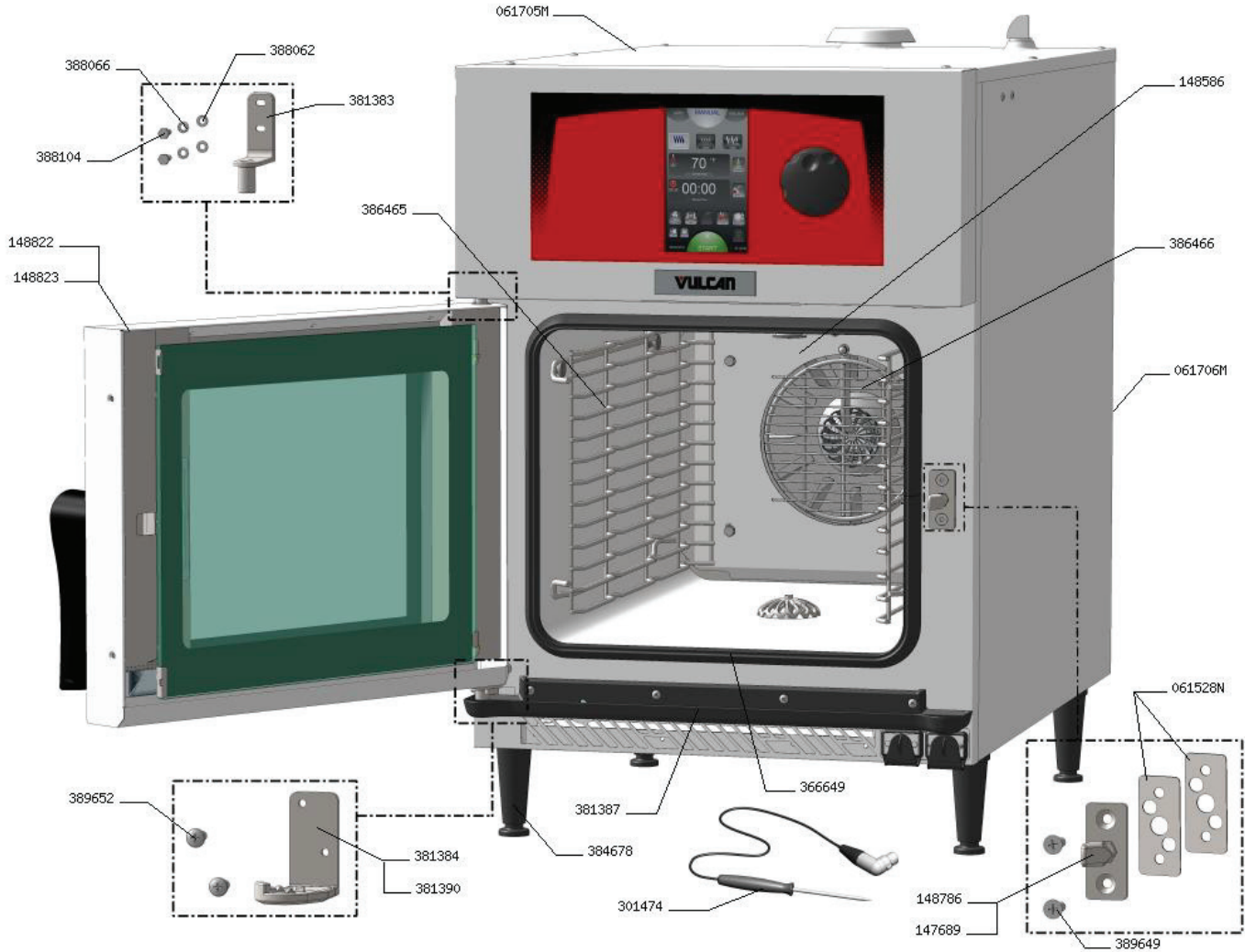
serial number end :

Start Date : 01-09-2019

End Date : 00-00-0000

Legend :

	Spare Part
!	Recommended Part
⚠	Wearing Part



CODE	NAME	COMENTS	CAT
301474	4 point temperature probe with NEUTRIK connector		
061528N	Door catch spacer		
388066	Size 4 stainless steel AZ tooth lockwasher		
388062	M4 stainless steel flat washer		
381387	Plastic trough		
381383	Upper hinge		
389652	Stainless dome head screw M6 x 16 NF E 25122		
381384	Lower hinge		
381390	Handed door lower hinge		
389649	A2 stainless countersunk PZ screws DIN 965 M6 x 30		
366649	Cavity seal		
386466	Ventilation duct grill		
386465	Compact oven runner		
061705M	Oven top		
388104	TH 4x12 stainless steel screw		
148823	Fitted sub assembly MJ2 handed door		
148822	Fitted sub assembly MJ2 door		
061706M	Rear of the oven		

VMF061EV2

Start Prod 01/09/2019 End Prod

CODE	NAME	COMENTS	CAT
148586	Ventilation duct sub assembly	Compose de la gaine, la grille et du tube d'injection	
147689	Aftersales door catch	Door closure safety kit	
384678	Non slip black thermoplastic foot		
148786	Door catch		

VMF061EV2

Start Prod 01/09/2019 End Prod

VIEW 20 : Control panel

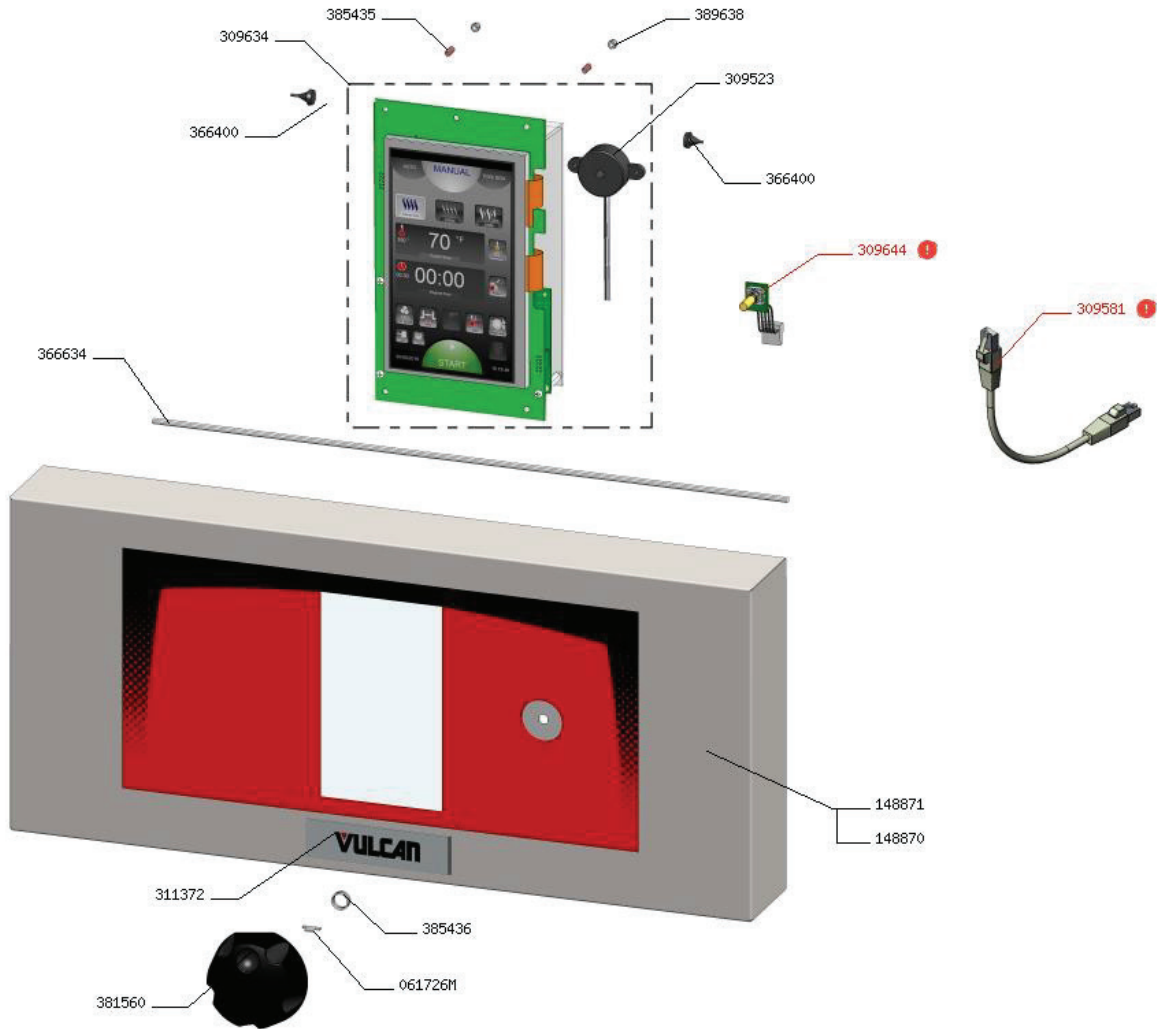
serial number start :

serial number end :

Start Date : 01-09-2019

End Date : 00-00-0000

Legend :	
	Spare Part
	Recommended Part
	Wearing Part



CODE	NAME	COMENTS	CAT
381560	Control button		
385436	Coder spring ring		
309644	VISIOPAD coder		
385435	Screen card spring		
309581	Inter card cable		
061726M	Coder spacer		
366400	Rubber stop		
366400	Rubber stop		
366634	Adhesive silicone seal 3 x 5mm		
389638	A2 stainless blind nuts M3 DIN 1587		
309523	Buzzer		
148871	Glued Vulcan control panel		
148870	Sub assembly: Vulcan control panel fully fitted	Tableau de commande complet avec ensemble interface, codeur, bouton de regulation	
309634	FastPAD 2 interface assembly	Voir Quick Guide 390990	
311372	VULCAN logo		

VMF061EV2

Start Prod 01/09/2019 End Prod

VIEW 30 : Door sub assembly

serial number start :

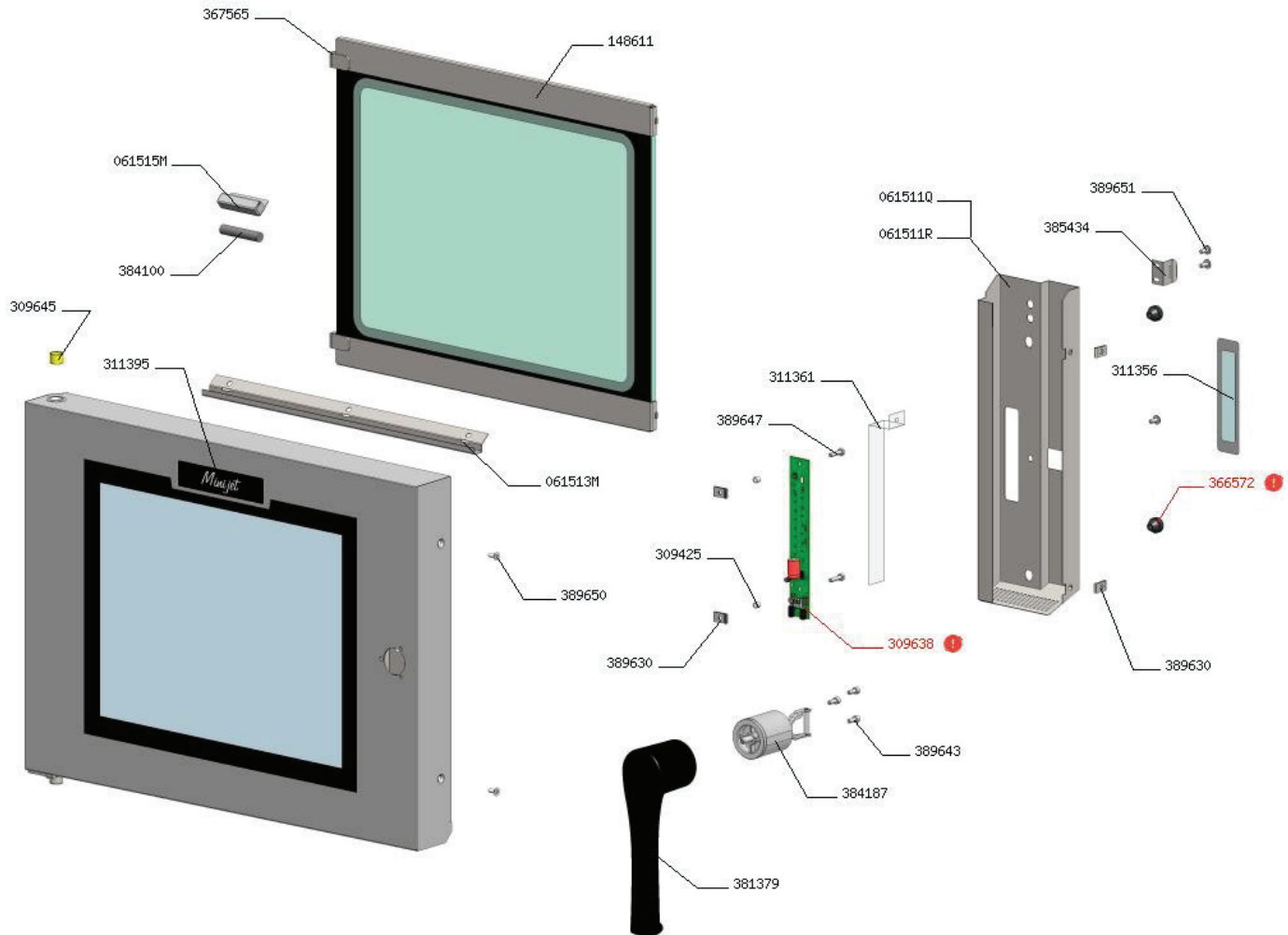
serial number end :

Start Date : 01-09-2019

End Date : 00-00-0000

Legend :

	Spare Part
!	Recommended Part
⚠	Wearing Part



CODE	NAME	COMENTS	CAT
148611	Interior glass sub assembly		
061515M	Magnet support		
384100	10 x 50 diameter magnet		
061513M	Door top cladding		
385434	Interior door catch plate		
366572	Door stop		!
311356	LED strip label		
311361	LED strip protective film		
309638	LED strip		!
389643	A2 stainless screw TCHC m4 x 10 ISO 4762		
389630	M4 stainless quick lock nut		
309425	5 mm long smooth spacer		
389630	M4 stainless quick lock nut		
309645	Nylon tubular spacer 4.2 x 8 x 5 diameter		
061511R	Door panelling		
061511Q	Door panelling		
389651	A2 stainless TBBCR M4 x 12 screws		
384187	Door closure mechanism		



VMF061EV2- Vulcan:Minijet FasPad 6 Levels GN1/1 Elec

VMF061EV2

Start Prod 01/09/2019 End Prod

CODE	NAME	COMENTS	CAT
381379	Moulded door handle		
389650	A2 stainless countersunk PZ screws DIN 965 M4 x 10		
389647	Stainless domed head screw Torx M4 x 20 ISO 7380-2		
311395	Vulcan Minijet label		
367565	Brass distancer, diameter 8 x 5		

VMF061EV2

Start Prod 01/09/2019 End Prod

VIEW 40 : Electric circuit

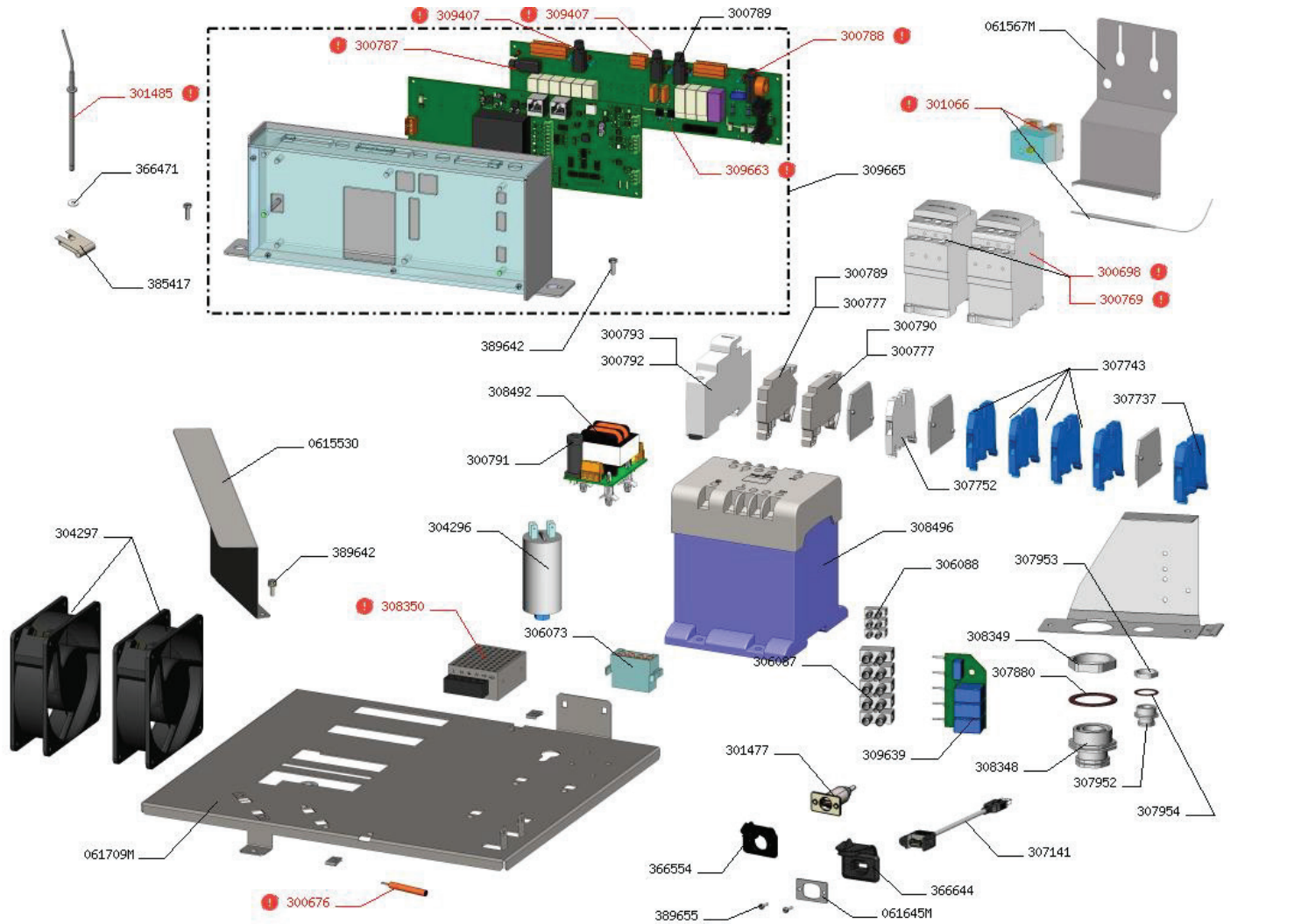
serial number start :

serial number end :

Start Date : 01-09-2019

End Date : 00-00-0000

Legend :	
	Spare Part
	Recommended Part
	Wearing Part



CODE	NAME	COMENTS	CAT
306087	400V 40A 12 pole connection strip		
309639	CEM filter		
300676	Reed switch		!
300769	Anti-interference relay	A commander avec contacteur 300697, 300698, 300699, 300700	!
301485	1 point regulation probe, PT 100		!
366471	J thermocouple joint		
385417	Probe blocking spring		
389642	Stainless flared base nut M4 x 10 ISO 7380-2		
306073	Femal box connection		
309407	Fuse 3.15 Amps		!
309407	Fuse 3.15 Amps		!
300787	Ultra fast fuse 0.2A 250V 5 x 20		!
300788	10amp 5 x 20 fuse		!
309663	FastPAD 2 Max UL relay connection		!
366554	Gasket and core probe or USB socket plug		
301477	Neutrik BASE for temperature probe		
0615530	Ventilation deflector		
307141	USB 2 extension	USB kit	

VMF061EV2

Start Prod 01/09/2019 End Prod

CODE	NAME	COMENTS	CAT
366644	USB port cover seal	USB kit	
061645M	USB port back plate	USB kit	
389655	A2 stainless TCL DIN 85 screws		
307752	Grey terminal block M4/6		
307743	Neutral terminal M4/6N		
308350	Switching regulator 15V 15W RS 15-15		!
061709M	Electric board		
389642	Stainless flared base nut M4 x 10 ISO 7380-2		
301066	Manual resetting 320°C thermostat + nut		!
061567M	Safety thermostat support		
300698	Three-pole 32A 230V 50/60 Hz contactor		!
300789	5 x 20 fast fuse 1amp		
309665	FASTPAD 2 Maxi UL power assembly		
304297	Ventilation fan 120 x 120 x 38 230/50/60 UL		
307737	M10/10 blue terminal block		
308492	Vent transformer 230V/24 UL		
300791	Time delay fuse 250mA		
300792	Fuse holder 10.3 x 38.1		
300793	600VAC fuse 10A 10.3 x 38.1		
304296	Condenser 12.5µf		
308496	Single phase transformer for Minijet UL		
300777	Connection fuse holder 5 x 20 5 x 25		
300790	SHURTER fuse 2A 250V FSF 5 x 20		
300777	Connection fuse holder 5 x 20 5 x 25		
300789	5 x 20 fast fuse 1amp		
306088	400V 10A 3 pole connection strip		
308349	Cable gland lock nut UL HB PG21 PA6FV		
307880	Neoprene gland gasket		
308348	Cable gland UL V2 PG21 PA6FV		
307952	Plastic gland PE9		
307953	Polycarbonate gland nut PE9		
307954	Flat neoprene gasket for PE9 gland		

VMF061EV2

Start Prod 01/09/2019 End Prod

VIEW 50 : Hydraulic circuit

serial number start :

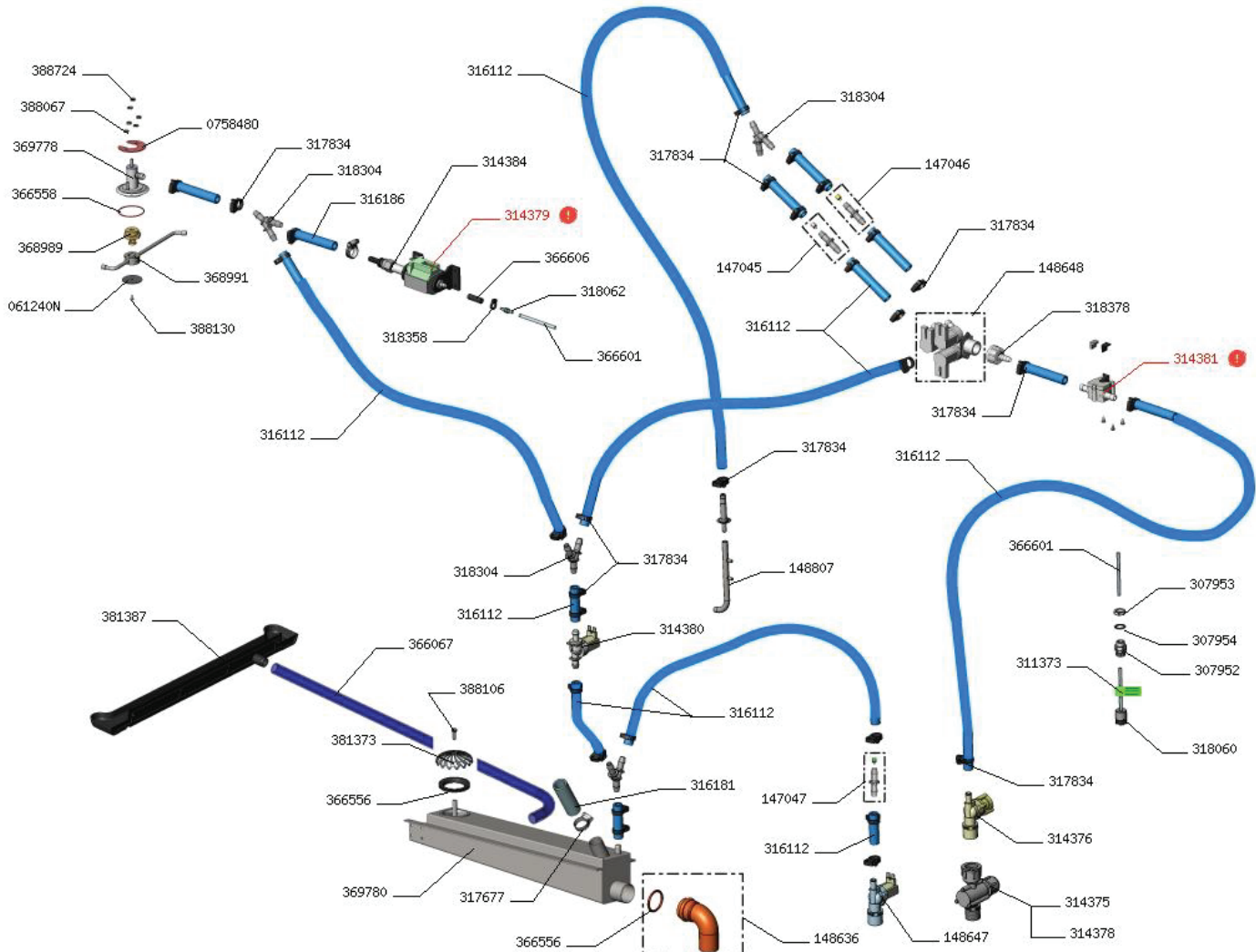
serial number end :

Start Date : 01-09-2019

End Date : 00-00-0000

Legend :

	Spare Part
!	Recommended Part
▲	Wearing Part



CODE	NAME	COMENTS	CAT
366556	Capacity drainage gasket		
148636	Copper elbow sub assembly with O ring D35 MF		
147045	Straight fitting + 0.25 L/min flow-rate regulator subassembly (white)		
147046	Straight fitting + 0.5 L/min flow-rate regulator subassembly (yellow)		
318304	Y-shaped coupling (equal branches), diameter 10		
317834	Double female plastic clamp 15/17,2		
366601	4 x 6 PVC hose per meter		
307953	Polycarbonate gland nut PE9		
307954	Flat neoprene gasket for PE9 gland		
307952	Plastic gland PE9		
318060	Base weight		
314375	Straight cold water arrival filter M3/4, 125 mμ		
316112	Armoured hose		
366067	15/21 transparent silicone tube (per meter)		
366556	Capacity drainage gasket		
316181	Silicone tube 25 x 32 dia. 60SH		
317677	32/50 diameter stainless steel tightening clamp		

VMF061EV2

Start Prod 01/09/2019 End Prod

CODE	NAME	COMENTS	CAT
388106	TH 5 x 16 stainless steel screw		
314378	Filter		
311373	Cleaning product identification label		
317834	Double female plastic clamp 15/17,2		
148807	Injection tube sub assembly		
314381	FHKUC flow meter		!
318378	Straight plastic cover connector nut 3/4 x 10		
317834	Double female plastic clamp 15/17,2		
317834	Double female plastic clamp 15/17,2		
316112	Armoured hose		
317834	Double female plastic clamp 15/17,2		
316112	Armoured hose		
381387	Plastic trough		
381373	Moulded drain grill		
318304	Y-shaped coupling (equal branches), diameter 10		
316112	Armoured hose		
366601	4 x 6 PVC hose per meter		
388130	Stainless steel screw TC 3 x 6		
061240N	Spraying washer		
368991	Rotating cleaning head		
368989	Rotating head support		
366558	250 degrees heat-resistant silicone o'ring		
318304	Y-shaped coupling (equal branches), diameter 10		
317834	Double female plastic clamp 15/17,2		
314379	CP2A pump	60Hz	!
318062	Polypropylen reduced coupling 4,8-4		
318358	Double diameter plastic clamp 9.2 - 10.5		
366606	Reinforced Hose 5x10		
317834	Double female plastic clamp 15/17,2		
369778	Wash arm support		
0758480	Washing arm tightening ring		
388724	Bras hex M5 nut		
388067	Size 5 stainless steel AZ tooth lockwasher		
316112	Armoured hose		
314384	After sales kit, connection and seal		
316186	EPDM 10mm ID dia smooth black hose		
316112	Armoured hose		
369780	Drain box without overflow		
314380	Direct action solenoid DV118/A230VR UL		
147047	Straight fitting + 0.8 L/min flow-rate regulator subassembly (olive green)		
148647	Sub assembly: single solenoid UL 10litres/min		
316112	Armoured hose		
314376	10 dia. entry pressure regulator M3/4, 3 bar		
148648	Sub assembly: triple solenoid UL 2 x 10litres/min + 1 x 5 litres		

VMF061EV2

Start Prod 01/09/2019 End Prod

VIEW 60 : Motor + fan sub assembly

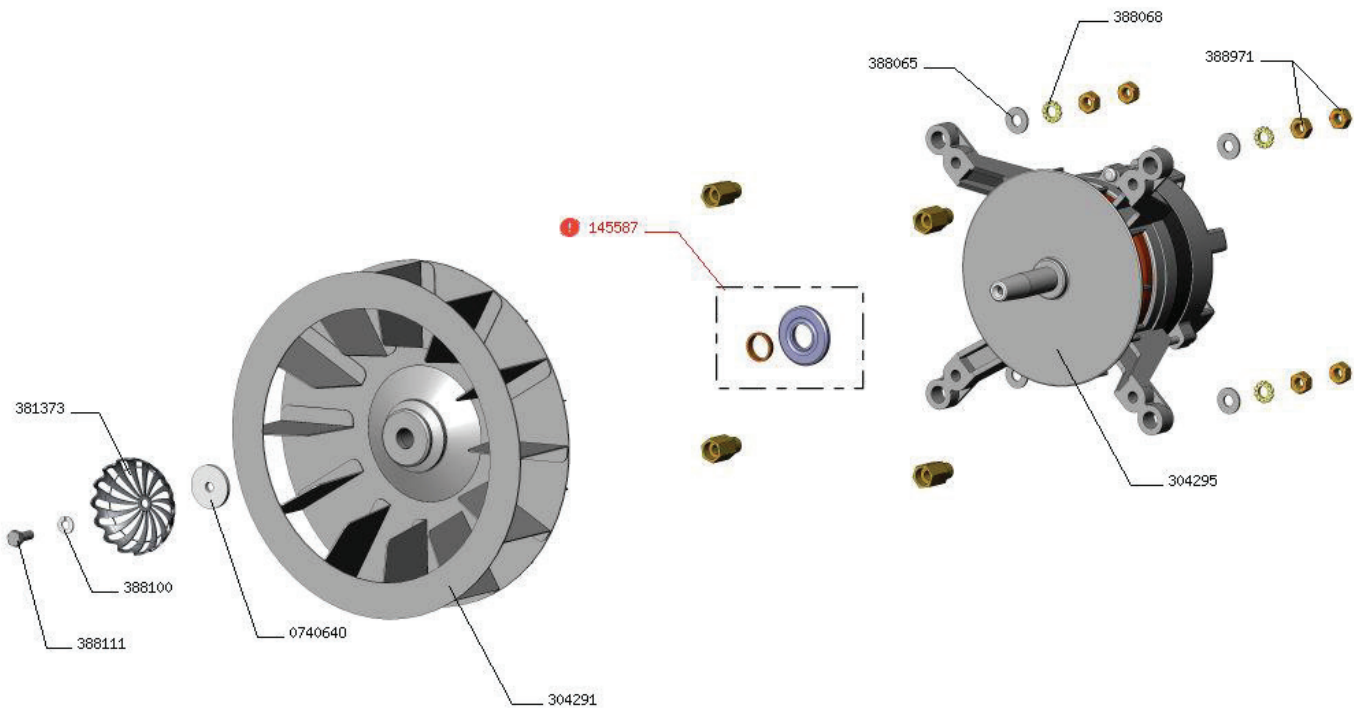
serial number start :

serial number end :

Start Date : 01-09-2019

End Date : 00-00-0000

Legend :	
	Spare Part
!	Recommended Part
⚠	Wearing Part



CODE	NAME	COMENTS	CAT
304291	12 blade fan		
388100	6 diameter stainless steel washer		
388111	TH 6 x 16 stainless steel screw		
145587	Drive shaft gasket + wear ring		!
388065	M8 stainless steel flat washer		
388068	Size 8 stainless steel AZ tooth lockwasher		
388971	Brass nut M8 HU as per DIN 934		
0740640	30 m/m washer of driving shaft end		
381373	Moulded drain grill		
304295	UL Motor		

VMF061EV2

Start Prod 01/09/2019 End Prod

VIEW 70 : Element sub assembly

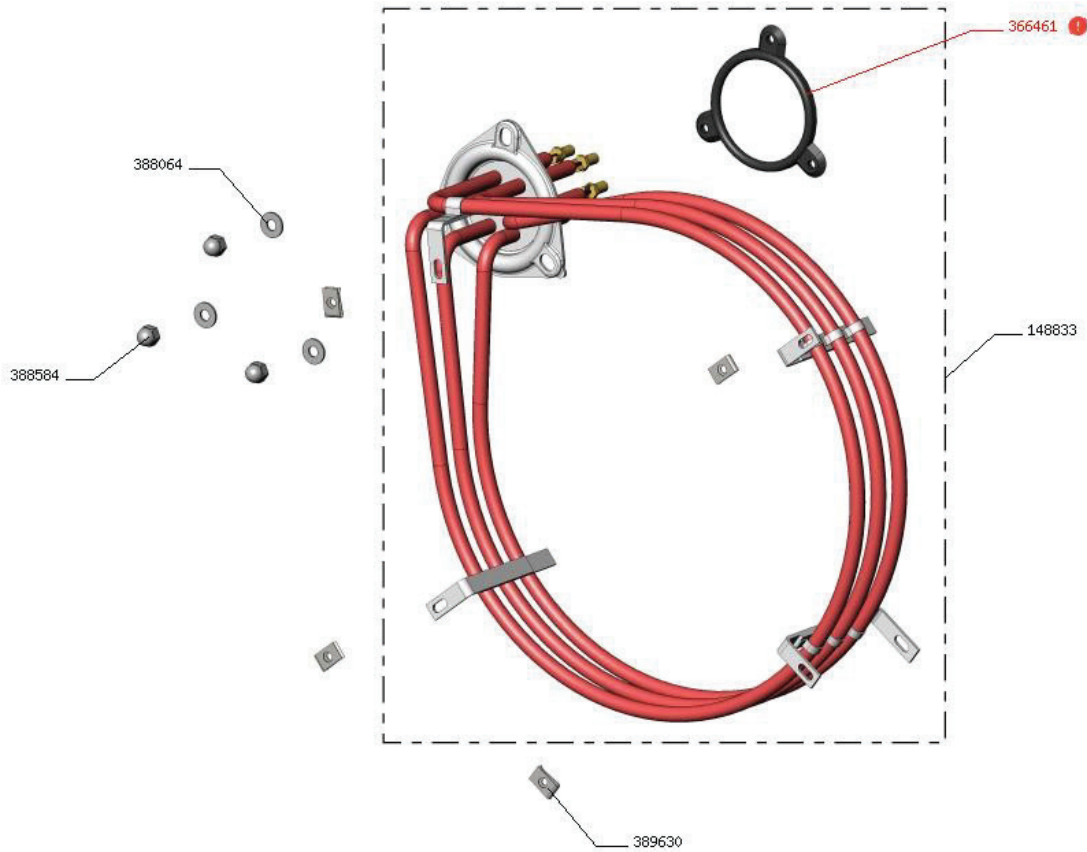
serial number start :

serial number end :

Start Date : 01-09-2019

End Date : 00-00-0000

Legend :	
	Spare Part
!	Recommended Part
⚠	Wearing Part



CODE	NAME	COMENTS	CAT
366461	Heating element + immersion heater gasket		!
389630	M4 stainless quick lock nut		
388064	M6 stainless steel flat washer		
388584	Stainless steel M6 blind nut		
148833	After sales kit, 6kW element for Minijet	Resistance + joint	

VMF061EV2

Start Prod 01/09/2019 End Prod

VIEW 80 : Motorised vent valve sub assembly

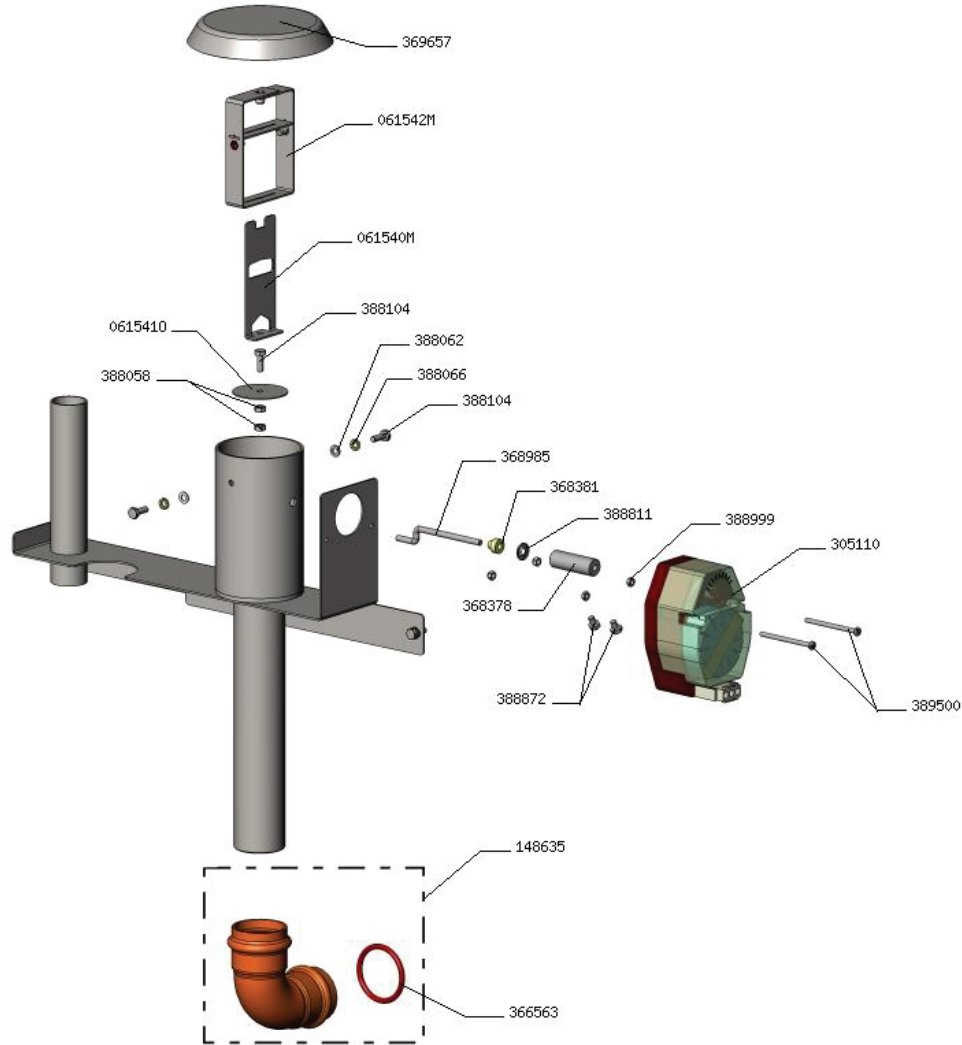
serial number start :

serial number end :

Start Date : 01-09-2019

End Date : 00-00-0000

Legend :	
	Spare Part
	Recommended Part
	Wearing Part



CODE	NAME	COMENTS	CAT
368985	Vent crank		
389500	Split head stainless steel screw, size 3 x 45		
368378	Motor / flue link		
368381	Connecting rod bearing		
388811	Washer diameter 11,5 x 1,3		
388872	TH M4 x 6 stainless steel screw		
061542M	Vent hanger		
369657	Vent cover		
0615410	Vent flap		
388058	Stainless steel HU 4 nut		
388104	TH 4x12 stainless steel screw		
061540M	Vent valve cam		
388104	TH 4x12 stainless steel screw		
388066	Size 4 stainless steel AZ tooth lockwasher		
388062	M4 stainless steel flat washer		
366563	250°C red silicone O ring		
148635	Copper elbow sub assembly with O ring D35 MF		
305110	24V Motor/gearbox		



VMF061EV2- Vulcan:Minijet FasPad 6 Levels GN1/1 Elec

VMF061EV2

Start Prod 01/09/2019 End Prod

CODE	NAME	COMENTS	CAT
388999	Stainless steel Nylstop M3 lock nut		