

Item No. _____
 Project _____
 Quantity _____



Brewing Excellence

Automatic Hot Water Dispensers

□ 1222 (2 Gallon) □ 1225 (5 Gallon) □ 1226 (5 Gallon)



Model 1222

DESCRIPTION

Bloomfield Automatic Hot Water Dispensers provide a perfect solution for on-demand hot water dispensing for a variety of applications including mashed potatoes, oatmeal, hot cereals, gravy, soups, tea, hot coco, sauces, gelatin, food preparation and even cleaning.

Bloomfield Hot Water Dispensers are designed to increase speed, safety, efficiency and ease of operation in every kitchen. They are simple to service and feature technician-free installation and start-up.

SPECIFICATIONS

Constructed of heavy gauge stainless steel with a space saving 7" wide foot-print. Features include Power-On and Temperature-Ready indicator lights, rear panel heat switch and easily adjustable temperature thermostat. The 5-Gallon models dispense up to 18 gallons of 199° F water per hour while the 2 Gallon model dispenses up to 7.2 gallons of water per hour.

STANDARD FEATURES

- High quality, easy to clean stainless steel construction
- Space saving design – only 7" wide
- Rear panel tank heat switch de-energizes water tank heating element for initial water fill
- Power-on light indicates electrical power to dispenser
- Ready-to-dispense light indicates the proper water temperature eliminating guess work
- Premium quality, easily adjustable thermostat is factory set at 199°F
- Drain system in water tank for ease of cleaning
- Exclusive one-panel design provides easy access to components for quick and simple service
- Commonality of parts with Bloomfield brewers reduces the inventory of spare parts

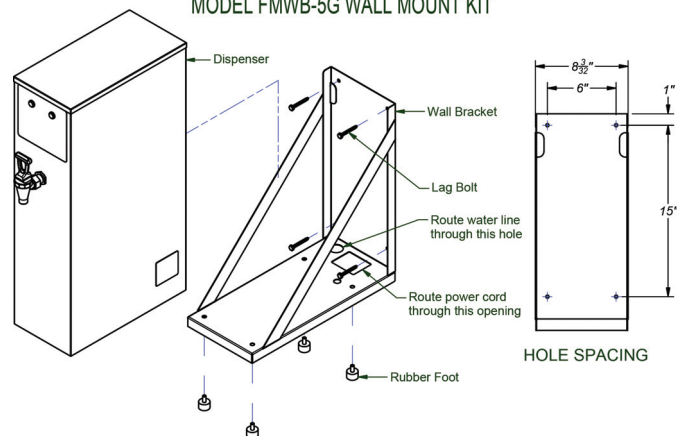
OPTIONS & ACCESSORIES

- Front Mount Wall Bracket for 5 Gallon Dispensers - 4C-FMWB-5G
- Wall Mount Bracket Drip Tray - 4C-WMBDT
- CSA Models

CERTIFICATIONS



MODEL FMWB-5G WALL MOUNT KIT



Sheet No. BLMWATER-DIS-05/12

NOTE: Specifications are subject to change without notice and are not intended for installation purposes. See installation instructions prior to installing the unit.

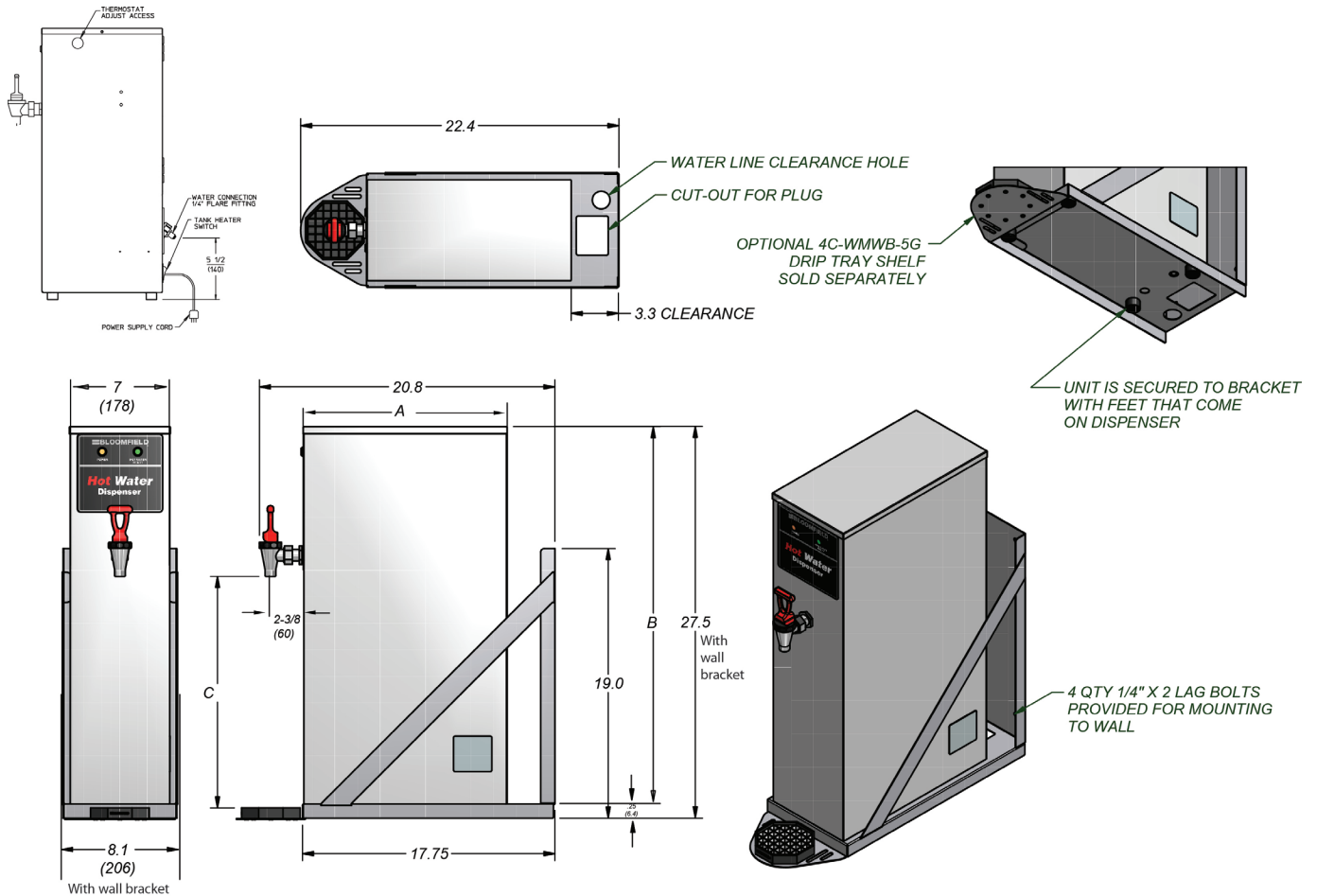




Brewing Excellence

Automatic Hot Water Dispensers

□ 1222 (2 Gallon) □ 1225 (5 Gallon) □ 1226 (5 Gallon)



SPECIFICATIONS:

MODEL	GALLONS	"A" Depth INCHES (MM)	"B" HEIGHT INCHES (MM)	"C" INCHES (MM)	WATTS	VOLTS	AMPS	PHASE	POWER CORD
1222	2	10-1/2 (287)	23-5/8 (600)	15-1/2 (394)	1800	120	15	SINGLE	NEMA 5-15P
1225	5	14-1/4 (362)	27-1/4 (692)	17 (431)	4000	208	19	SINGLE	NEMA 6-30P
1226	5	14-1/4 (362)	27-1/4 (692)	17 (431)	4000	240	16.5	SINGLE	NEMA 6-30P

Meets Canadian standards

CAD SYMBOLS & PRICING



NOTE: Specifications are subject to change without notice and are not intended for installation purposes. See installation instructions prior to installing the unit.