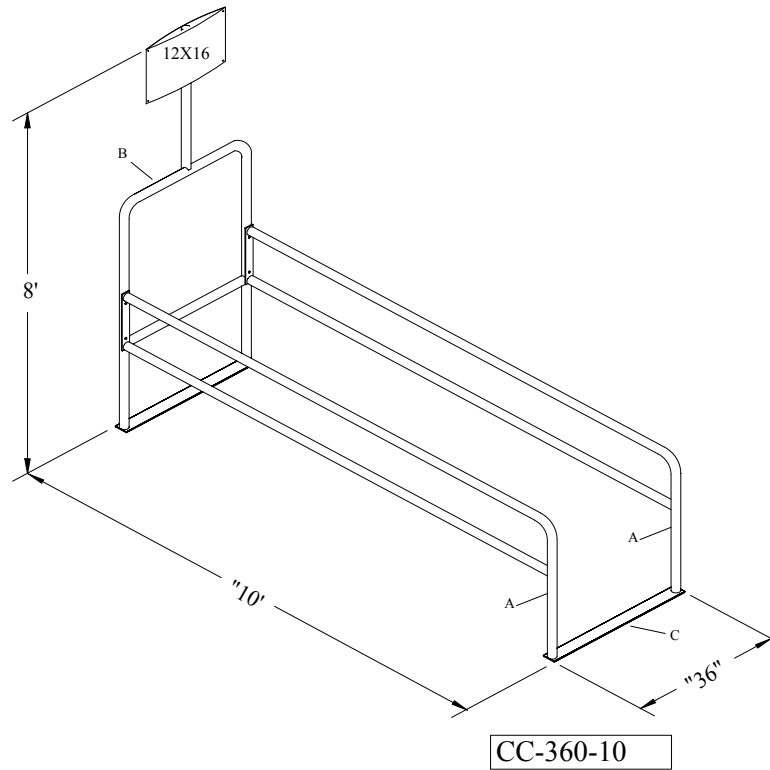


**STRUCTURAL COMPONENTS:**

- A) (2) 10' SIDERAILS
- B) (1) 3' WIDE HEADER WITH SIGN
- C) (1) 3' BOTTOM PLATE

**HARDWARE LIST:**

- (4) 1/2-13 x 3 BOLTS
- (4) 1/2" FLAT WASHERS
- (4) 1/2-13 2-WAY LOCK NUTS



**INSTRUCTIONS:**

1. SELECT FLAT AREA TO PLACE CORRAL, AWAY FROM BUT NOT LIMITED TO CURBS & STORM DRAINS.
2. STAND HEADER FRAME (B) IN UPRIGHT POSITION. WHILE HOLDING IN PLACE. BOLT (1) SIDERAIL (A) USING (2) BOLTS, (2) NUTS & (2) FLAT WASHERS.
3. REPEAT THIS ON SECOND RAIL.
4. SLEEVE SIDE RAILS (A) OVER BOTTOM PLATE (C).
5. TIGHTEN ALL CONNECTIONS.

Ⓐ

C:\ACADWIN\DRAWINGS\INSTRUCT\CC360-10.DWG

ITEM #	PART #	DESCRIPTION	MATERIAL	QTY.
UNLESS OTHERWISE SPECIFIED: DIMENSIONS ARE IN INCHES				
UNLESS OTHERWISE INDICATED:				
REMOVE ALL BURRS AND BREAK SHARP EDGES.				
TOLERANCES ON DIMENSIONS LOCATING BOLT HOLES AND FINISHED SURFACES SHALL NOT BE CUMULATIVE.				
DRAWINGS FURNISHED BY NATIONAL CART INC. ARE PROPRIETARY DATA. THEIR USE DOES NOT GRANT BY IMPLICATION, ESTOPPEL, OR OTHERWISE ANY LICENSE UNDER THE RIGHTS OF NATIONAL CART INC.				
LIMITS		TITLE		
FRACTION - 1/8		CC-360-10 ASS'Y INSTRUCTIONS		
DECIMAL	DRAWN	DATE	SCALE	
.XX ± .010	JLG	9/1/98	1:20	
.XXX ± .010	APPD	DATE	SHEET	OF 1
.XXXX ± .002				
ANGULAR - .2°	DWG NO: CC360-10			REV A