

# SPECIFICATION SHEET

# 920



## CONTAINER #63330

## LID #63329

ONLY 4 productions per year: February, May, August, November

### TECHNICAL DATA

**Capacity under lid:**

9.88 L / 2.61 US gal.

**Wall thickness:**

Container: (0.053 in.) 0.13 cm

Lid: (0.038 in.) 0.09 cm

**Material:** Container: HDPE

Lid: PP

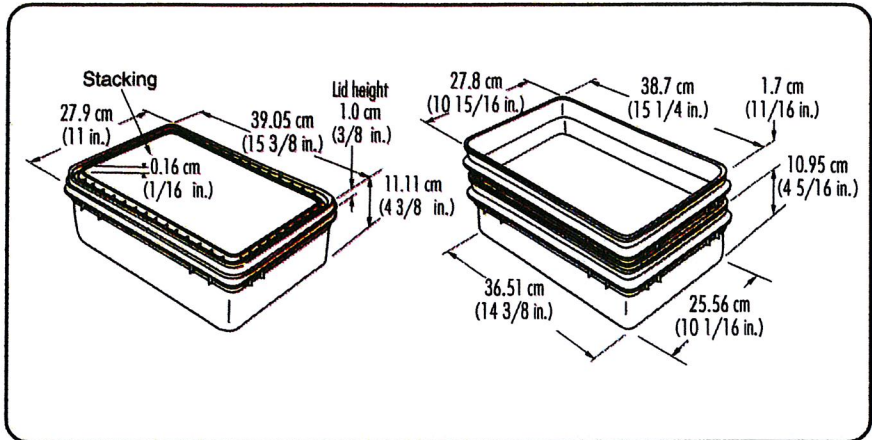
**Thermal range:** 0°C (32°F) to 90°C (194°F)**Standard color :** natural

Other colors upon request

**Weight (approx.):**

Container: (300 g) 10.58 oz

Lid: (120 g) 4.23 oz

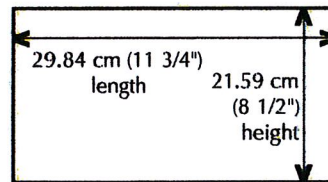


(Materials are recyclable or can be recovered for energy)

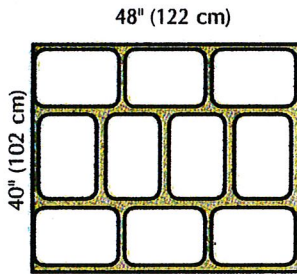
### TOP LOADING RESISTANCE

**32 kg (70 lb)** at 23°C / 73°F, 30 days. Product temperature when filling containers and warehouse temperature will affect pail performance. IPL recommends to make necessary testing prior to full production.

### PRINTING UP TO 4 COLORS, DRY OFFSET (LID ONLY)



### PALLETIZATION OF FILLED PAILS



10 containers per layer

### OPENING AND CLOSING

**TO OPEN:** Gradually lift the lip of the lid all around the container.

**TO CLOSE:** Align lid on container, then press all the way around.

### PACKAGING OF EMPTY PAILS/LIDS

**WAREHOUSING OF EMPTY CONTAINERS:** 1 pallet - 3 bundles  
No double stacking. Racking recommended.

### RECOMMENDATIONS

- Do not exceed pallet edges with pails
- Staggered pattern is recommended for greater stability
- Double faced pallets with close together boards on both sides are recommended for best results
- To improve stability, release air from pail when putting the lid
- Stretch wrapping machine tension should be adjusted to pail
- Use slip-sheet to improve pails stability if necessary

**Approvals:** ..... Virgin materials are approved for food contact and meet FDA (Food and Drug Administration USA) and HPB (Health Protection Branch Canada) regulations.

**Advice:** ..... Handling conditions vary a lot from customer to customer, tests are recommended throughout the process of denesting, filling, conveying, palletization, warehousing, transportation and utilization by end users, etc. Specifications can be modified without notice.



Industries Émile Lachance ltée  
424, route 279  
Saint-Damien (Québec) G0R 2Y0  
CANADA

1963

# LACHANCE

Tél: 1 800 463-8877 Fax: 1 800 463-6080

www.iel-lachance.com