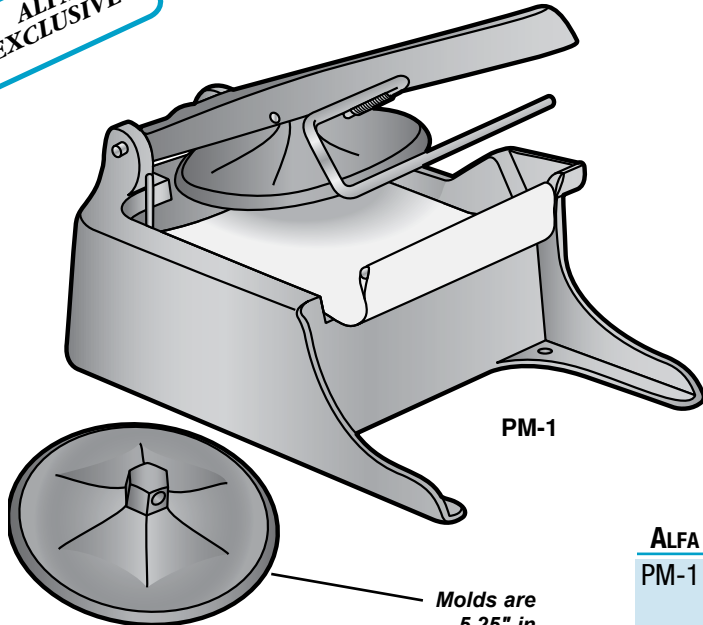


**ALFA  
EXCLUSIVE**

# BEEF PATTY MAKER



PM-1

Made in  
Taiwan

Molds are  
5.25" in  
diameter

Dimensions: 12.25"L X 7.6"W X 5.5"H.  
Unit comes with two molds.

Our Beef Patty Maker is an excellent choice for medium volume, cost conscious food service operations. It offers the performance and durability of many more-expensive units and features:

- Heavy duty cast aluminum construction
- Baked enamel finish
- Comes complete with 6 plastic liners and 2 patty molds
- Holds up to 100 sheets of 2 hole drilled 5-1/4" x 5-1/4" wax paper (not included)
- Gray mold makes patties ranging from 1.8-2.7 oz.
- Green mold makes patties ranging from 3.2-4 oz.

**WARRANTY: 6 Months**

ALFA #	DESCRIPTION	WEIGHT
PM-1	Hand Operated Patty Maker, 5-1/2" H x 7-5/8" x 12-1/4" L	6 lbs.
M-14	Replacement Plastic Liner for PM-1	1 lb
PP-1K*	1000 sheets Patty Paper	2 lbs.
PP-24K*	24000 sheets Patty Paper	37 lbs.

\* Patty paper measures 5.25" x 5.25" punched with 2 holes



## HAMBURGER PATTY PRESSES

Made In  
Italy

**WARRANTY:  
6 Months**



AP4



AP7



We offer four simple and compact hamburger press models, constructed of anodized aluminum alloy to ensure satisfactory hygiene and durability. Each press features a built-in portion sheet holder, ensuring quick, convenient and efficient operation. Durable rubber feet ensure stability; lubricated gears facilitate smooth and effortless operation. For ease of use, each press has been designed with a patty piston "release button". Certified with CE approval.

ALFA #	DESCRIPTION	NET/ SHIP WEIGHT	DIMENSIONS - BOXED (W x H x L)
AP4	4" Diameter - (Makes 3.5 – 5 oz. patties)	10.4 lbs./11.7 lbs.	11" W x 11-13/16" H x 11-13/16" L
AP5	5" Diameter - (Makes 5 – 8 oz. patties)	10.8 lbs./12 lbs.	11" W x 11-13/16" H x 11.8" L
AP6	6" Diameter - (Makes 10 – 14 oz. patties)	16.5 lbs./19 lbs.	15-3/4" W x 16-7/8" H x 14-1/2" L
AP7	7" Diameter - (Makes 12 – 16 oz. patties)	16.5 lbs./18.7 lbs.	15-3/4" W x 16-7/8" H x 14-1/2" L