



Mobile Order Staging Cart
Hold To-Go Orders.

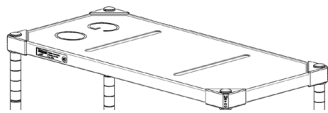
Organized & Ready To-Go.



Stage Orders on a Mobile Cart When Space is Limited.

Metro's® Order Staging Cart offers the ability to organize and stage orders for pick-up and carryout anywhere whether they are staged in the back-of-house, front-of-house, or curbside. The cart's small footprint allows it to fit in tight spaces.

The solid stainless steel work surface has a customized inlay to signify when an order is ready to serve.



The easy order part number includes everything pictured and ships in one box!



Props pictured in rendering are not included

Pictured: CR1430DTOSC

Part #	Description	Nominal D x W x H (in.) (mm)	
CR1430DTOSC	14x30 Order Staging Cart	14x30x29	356x762x737



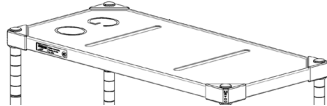
Mobile Order Staging Cart

Organize and Stage Orders for Pick-up/Carryout

Metro's® Mobile Order Staging Cart can easily be wheeled to any location and has a small footprint allowing it to fit in compact places. It is equipped with two swivel casters and two swivel casters with brakes which allow the cart to be locked into place to create a stable work station. The solid stainless steel top is easy to clean, and has a customized inlay to signify when an order is ready to serve.

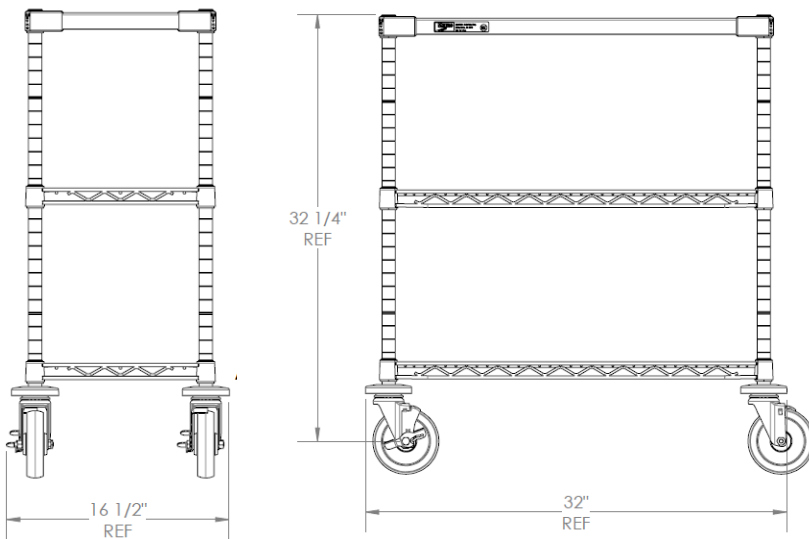
Key Specifications:

- **Super Erecta Brite Wire Shelves:**
 - Can be adjusted at 1" (25 mm) intervals.
 - Each shelf can support up to 800 lbs. (363 kg).
 - Total unit load capacity not to exceed 1,000 lbs. (453 kg).
- **Super Erecta® Solid Shelf:**
 - Material: Type 304 Stainless Steel with corrosion resistant epoxy-coated corners.
 - Customized inlay to organize orders.
 - Shelf design features a 1/8" (3.2 mm) raised "ship's edge" on all four sides to contain spills.



Ships in One Box!

Part #	Description	Nominal D x W x H (in.)	Nominal D x W x H (mm)	Approx. Pkg. Wt. (lbs.)
CR1430DTOSC	14x30 Order Staging Cart	14x30x29	356x762x737	36.68



CR1430DTOSC Consists of:

Qty	Part #	Description
4	29UP	29" POST
2	5M	5" SWIVEL CASTER
2	5MB	5" SWIVEL/BRAKE CASTER
2	1430BR	14" X 30" BRITE WIRE SHELF
1	DD8691	14" X 30" SOLID SHELF

Visit www.metro.com or call 1-800-992-1776.

L11-006 6/20

© 2020 InterMetro Industries Corporation, Wilkes-Barre, PA 18705



We put space to work.®

an Ali Group Company



The Spirit of Excellence