



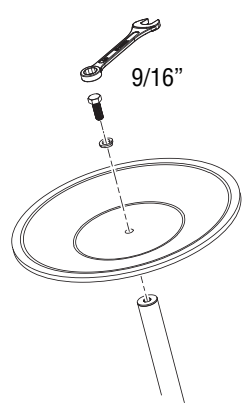
Outperform every day.™

Assembly Instructions

Rotating Stand

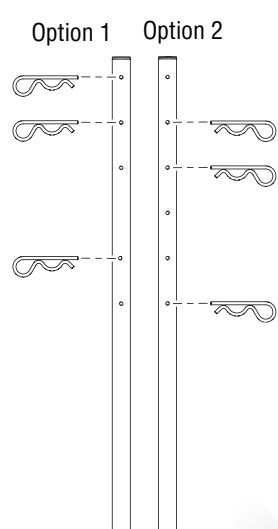
Item Numbers: RSCL-4

1 Attach pole to base.

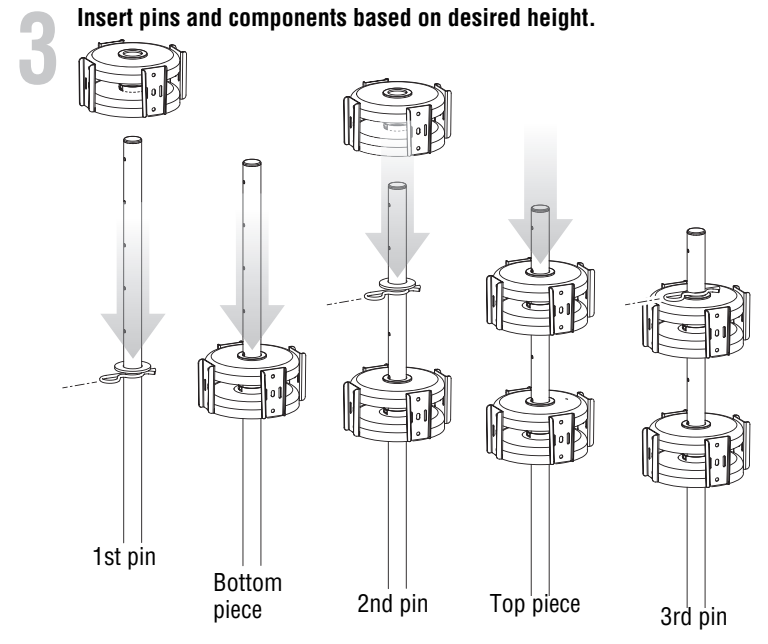


2 Choose height. See overall height drawing.

Option 1 Option 2

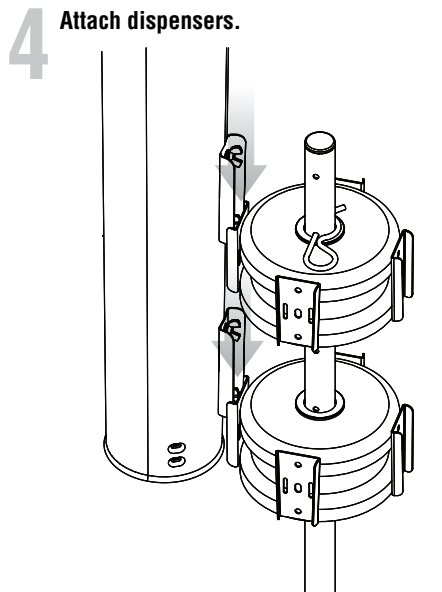


3 Insert pins and components based on desired height.



1st pin Bottom piece 2nd pin Top piece 3rd pin

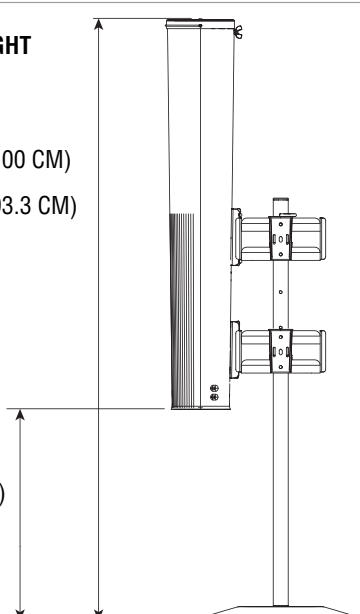
4 Attach dispensers.



OVERALL HEIGHT

Option 1: 39¼ (100 CM)
Option 2: 36¾ (93.3 CM)

Option 1: 13½ (34.3 CM)
Option 2: 11 (28 CM)




Outperform every day.™

www.vollrath.com

The Vollrath Company, L.L.C.

1236 North 18th Street
Sheboygan, WI 53081-3201 U.S.A.
Main Tel: 800.624.2051 or 920.457.4851
Main Fax: 800.752.5620 or 920.459.6573
Customer Service: 800.628.0830
Canada Customer Service: 800.695.8560

Technical Services

techservicereps@vollrathco.com
Induction Products: 800.825.6036
Countertop Warming Products: 800.354.1970
All Other Products: 800.628.0832