



Outperform every day.™

Project:
Item Number:
Quantity:

Conveyor Toasters - 2,000 Slices Per Hour*

The Vollrath Company, L.L.C.

CONVEYOR TOASTERS - 2,000 SLICES PER HOUR* (MODEL JT2000)



DESCRIPTION

Vollrath's 2,000 slices per hour conveyor toasters are ideal for high volume, short duration serving operations such as military commissaries, hospital kitchens and institutions. They offer high volume and flexibility to change from a two-sided toast mode to a one-sided bagel/bun mode with the flip of a switch.

WARRANTY

- Warrantied parts: The warranty period is 2 year parts, 1 year labor.
- Heater tubes: The warranty period is 1 year parts and labor. Heater tube glass damage is not covered by this warranty.

AGENCY LISTINGS



* Slices per hour is based on maximum conveyor speed. Conveyor speed determines toasting time and affects color and texture of the toast. Results may vary based upon type of bread, color and texture preference.

Due to continued product improvement, please consult www.vollrath.com for current product specifications.

ITEMS

Item No.	Model No.	Description
CT4-2082000	JT2000	2,000 Slices Per Hour*, 208V
CT4-2202000**		2,000 Slices Per Hour*, 220V
CT4-2402000		2,000 Slices Per Hour*, 240V

**Made to order item. Made to order items cannot be canceled or returned.

FEATURES

- Stainless steel and aluminized steel construction.
- Variable speed control allows for real-time adjustments.
- Variable top and bottom heat control.
- Top and Top-Bottom heat switch to quickly change between one-sided and two-sided toasting.
- 14½" (36.8 cm) 3-slice wide conveyor is larger than industry standard for better toasting results.
- Extended length conveyor keeps operator's hands further from the heater elements when loading bread.
- Forced convection toasting promotes uniform results and energy efficiency.
- Energy efficient, fast reacting, quartz heaters.
- High-temperature bearings ensure smooth operation and do not require lubrication.
- High-quality, insulated wires help prevent against dry rotting and cracking.
- High-temperature thermoplastic terminal blocks with stainless steel clamping provides superior connections; designed for ease of serviceability.
- Maintenance-free drive system; stainless steel drive chain does not require lubrication.
- Fan control switch senses temperature of unit and keeps fan running until unit is completely cool.
- Adjustable legs.
- 4½ ft. (1.4 m) cord with plug.
- Made in the USA.

CLEARANCE AND ENVIRONMENT REQUIREMENTS

- Do not place on surfaces or near walls, partitions or kitchen furniture unless they are made of non-combustible material or clad with non-combustible heat-insulating material. Toasters must not be used near or below curtains and other combustible materials.
- Maximum ambient temperature: 104° F (40 ° C).

Approvals	Date



Outperform every day.™

www.vollrath.com

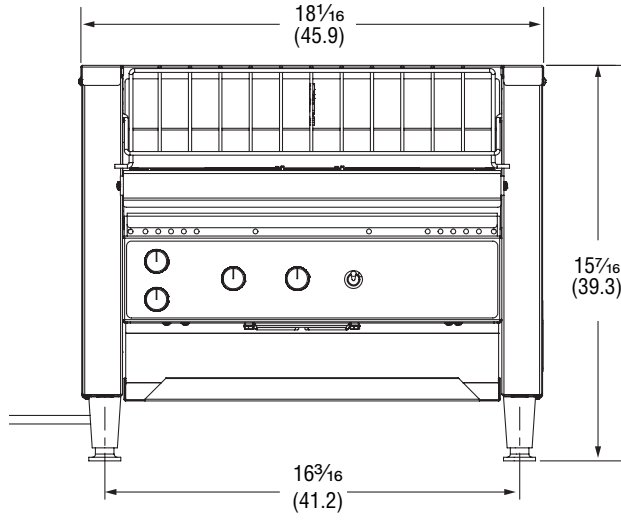
The Vollrath Company, L.L.C.

1236 North 18th Street
Sheboygan, WI 53081-3201 U.S.A.
Main Tel: 800.624.2051 or 920.457.4851
Main Fax: 800.752.5620 or 920.459.6573
Customer Service: 800.628.0830
Canada Customer Service: 800.695.8560

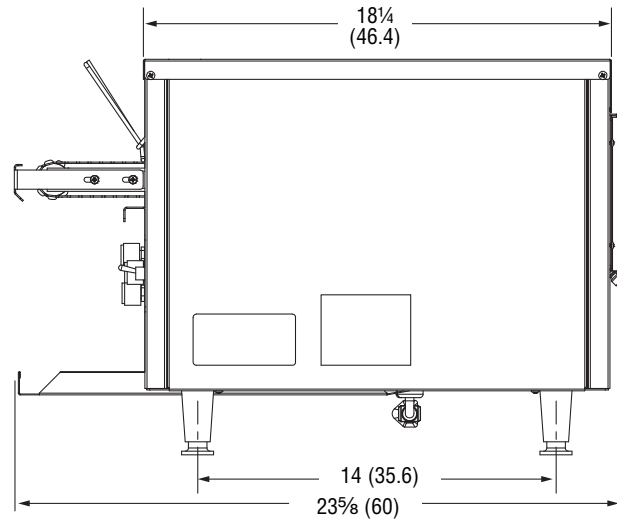
Technical Services
techservicereps@vollrathco.com
Toaster Products: 800.309.2250
All Other Products: 800.628.0832

CONVEYOR TOASTERS - 2,000 SLICES PER HOUR* (MODEL JT2000)

DIMENSIONS (Shown in inches (cm))



Front View

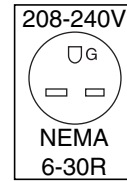


Side View

SPECIFICATIONS

Item No.	Model	Product Opening In (CM)	Slices or Bun Halves Per Hour (Up To)*	Voltage	Watts	Amps	Hz	Weight Lb (Kg)	Plug
CT4-2082000	JT2000	1 ³ / ₄ (4.4)	2,000	208	4800	23.1	60	48 (21.8)	NEMA 6-30P
CT4-2202000**				220		21.8			
CT4-2402000				240		20			

Receptacle



* Slices per hour is based on maximum conveyor speed. Conveyor speed determines toasting time and affects color and texture of the toast. Results may vary based upon type of bread, color and texture preference.

** Made to order item. Made to order items cannot be canceled or returned.



Outperform every day.™

www.vollrath.com

The Vollrath Company, L.L.C.

1236 North 18th Street
 Sheboygan, WI 53081-3201 U.S.A.
 Main Tel: 800.624.2051 or 920.457.4851
 Main Fax: 800.752.5620 or 920.459.6573
 Customer Service: 800.628.0830
 Canada Customer Service: 800.695.8560

Technical Services
 techservices@vollrathco.com
 Toasters: 1.800.309.2250
 All Other Products: 1.800.628.0832