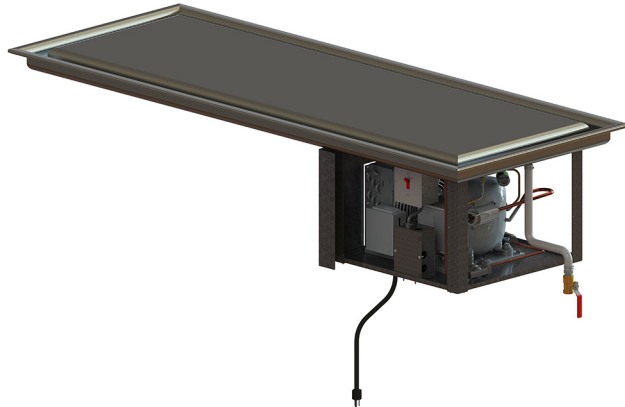




Project:
Item Number:
Quantity:

REFRIGERATED FROST TOP DROP-IN



ITEMS

Item No.	Description
FC-4C-02120-F	Two Pan
FC-4C-03120-F	Three Pan
FC-4C-04120-F	Four Pan
FC-4C-05120-F	Five Pan
FC-4C-06120-F	Six Pan

FEATURES

- Flange and display are 300 series stainless steel
- Uses R513A, a non-flammable low Global Warming Potential (GWP) refrigerant
- Frost top display area is one-piece construction
- Designed for top-mount installation, flush with countertop
- A full-perimeter drip edge contains spills and condensation
- Gasket included for installation under drip-edge
- Refrigeration coils are attached to the underside of the display surface to provide maximum cooling. Additional coils are attached to the sides of the display to create a full frost pattern.
- Extruded polystyrene insulation surrounds the cooling coils and directs the thermal exchange to the display area for minimum energy output and lower cost operation
- Display surface averages 0 °F (-18 °C) at 70 °F (21 °C) ambient temperature
- ½" (1.27 cm) integral drain
- Condensing unit suspended below the top
- Remote On/Off switch with 4 ft. (122 cm) cord
- 6 ft. (183 cm) cord with plug, does not require hard wiring

DESCRIPTION

Vollrath's Refrigerated Frost Tops keep pre-chilled food such as grab-n-go menu items, trays of appetizers and cold beverages at proper serving temperature and provide easy, self-serve access.

For best performance, stainless steel pans are recommended.

The display surface fits flush with the countertop to limit the effect of ambient temperature on the display area and to help maintain the full-frost pattern.

Note: Drop-ins cannot be canceled or returned.

WARRANTY

All models shown come with Vollrath's standard warranty against defects in materials and workmanship. For full warranty details, please refer to www.Vollrath.com.

Modifying refrigeration parameters will void the warranty.

CLEARANCE REQUIREMENTS

- Zero clearance installation on all sides and 4½" (11.4 cm) clearance from the condenser air inlet and outlet openings
- Indoor use only. Room temperatures and HVAC can effect performance temperatures.
- For best performance, prevent drafts and room air currents from passing over the display surface.
- Requires a minimum of 80 square inches for fresh air intake and a minimum of 80 square inches for exhaust. See back page for details.

AGENCY LISTINGS



Due to continued product improvement, please consult www.vollrath.com for current product specifications.

Approvals	Date



www.vollrath.com

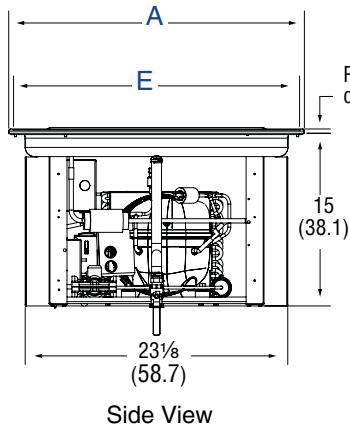
The Vollrath Company, L.L.C.

1236 North 18th Street
 Sheboygan, WI 53081-3201 U.S.A.
 Main Tel: 800.624.2051 or 920.457.4851
 Main Fax: 800.752.5620 or 920.459.6573
 Customer Service: 800.628.0830
 Canada Customer Service: 800.695.8560

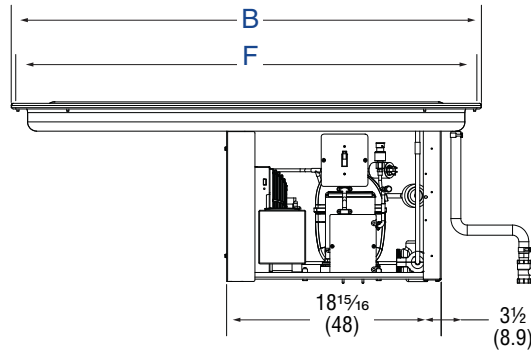
Technical Services
techservices@vollrathco.com
 Induction Products: 800.825.6036
 Countertop Warming Products: 800.354.1970
 All Other Products: 800.628.0832

REFRIGERATED FROST TOP DROP-IN

DIMENSIONS (Inches (cm))



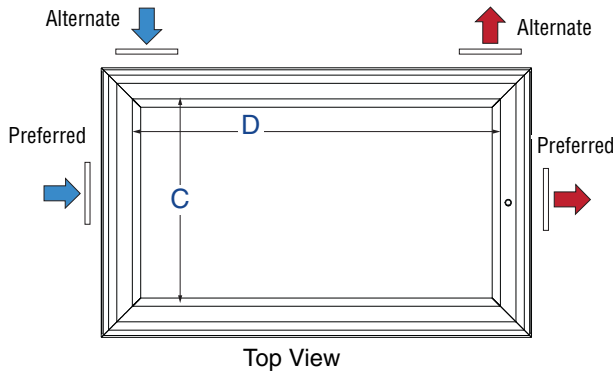
Side View



Front View

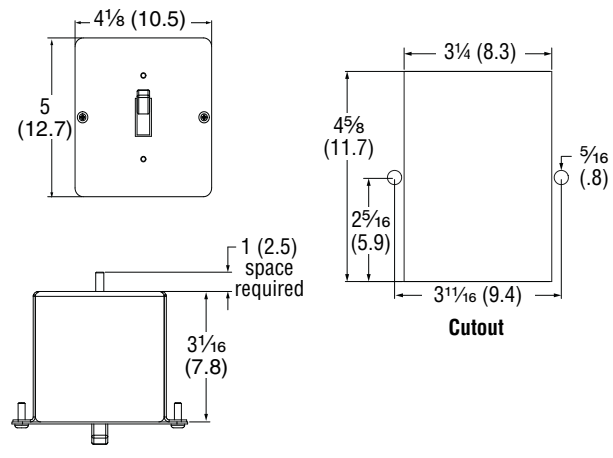
VENTING REQUIREMENTS

Customer supplied louvers must be installed in surrounding cabinet to ensure adequate ventilation. One intake and one discharge louver are required. Preferred louver location is the short ends of the cabinet.



Top View

Remote On/Off Switch



Cutout

SPECIFICATIONS

Item No.	Pan Size	Dimensions IN (CM)						Louvers	Weight LB (Kg)	Comp. (HP)	Peak Heat of Rejection (BTUH)	Refrig. Charge Oz.	Volts	Hz	Amps	Plug	Straight Blade Receptacle
		A	B	C	D	E	F										
FC-4C-02120-F	Two	28 ⁵ / ₁₆ (66.8)		22 ¹ / ₄ (56.5)		27 ¹ / ₂ (69.9)		86 (39)			3.5						 NEMA 5-15R
FC-4C-03120-F	Three	41 ¹ / ₂ (105.4)		35 ¹ / ₂ (90.2)		40 ³ / ₄ (103.5)		99 (45)			4						
FC-4C-04120-F	Four	26 ¹ / ₁₆ (66.2)	54 ³ / ₄ (139.1)	20 (51)	48 ³ / ₄ (123.8)	25 ¹ / ₄ (64.1)	54 (137.2)	8 x 10 (20.3 x 25.4)	1/3	4800	5	120	60	7.8	NEMA 5-15P		
FC-4C-05120-F	Five		68 (172.7)		62 (157.5)		67 ¹ / ₄ (170.8)				6						
FC-4C-06120-F	Six		81 ¹ / ₄ (206.4)		75 ¹ / ₄ (191.1)		80 ¹ / ₂ (204.5)				10						

NOTICE: Vollrath drop-ins are made to order and cannot be returned. It is the responsibility of the installer to ensure cut-outs on new installations are correct, or retrofit installation dimensions match up with Vollrath product dimensions. Vollrath will not guarantee that our models retrofit with specific competitive models (as competitive specifications can change without notice). We recommend countertop cut-outs be made after receipt of the Vollrath drop-in to ensure proper fit prior to cutting into countertop materials.

NOTICE: Do NOT modify the cord or plug. Modification may damage the drop-in or cause injury, and will void the warranty.



www.vollrath.com

The Vollrath Company, L.L.C.
 1236 North 18th Street
 Sheboygan, WI 53081-3201 U.S.A.
 Main Tel: 800.624.2051 or 920.457.4851
 Main Fax: 800.752.5620 or 920.459.6573
 Customer Service: 800.628.0830
 Canada Customer Service: 800.695.8560

Technical Services
 techservicereps@vollrathco.com
 Induction Products: 800.825.6036
 Countertop Warming Products: 800.354.1970
 All Other Products: 800.628.0832